

FableKids

love inspired.



2in1 High Chair & Swing

NOA



Thank you for choosing Fable Kids.

Please read the instructions carefully before use and keep for future reference.

Table of Contents

<u>1. Product Overview</u>	-----	1
<u>2. Important Safety Information</u>	-----	3
<u>3. Product Assembly</u>	-----	5
<u>4. How to Use the Product</u>	-----	10
<u>5. Control Panel</u>	-----	17
<u>6. Use of APP function</u>	-----	19
<u>7. Maintenance and Care</u>	-----	20
<u>8. Environmentally friendly disposal</u>	-----	21

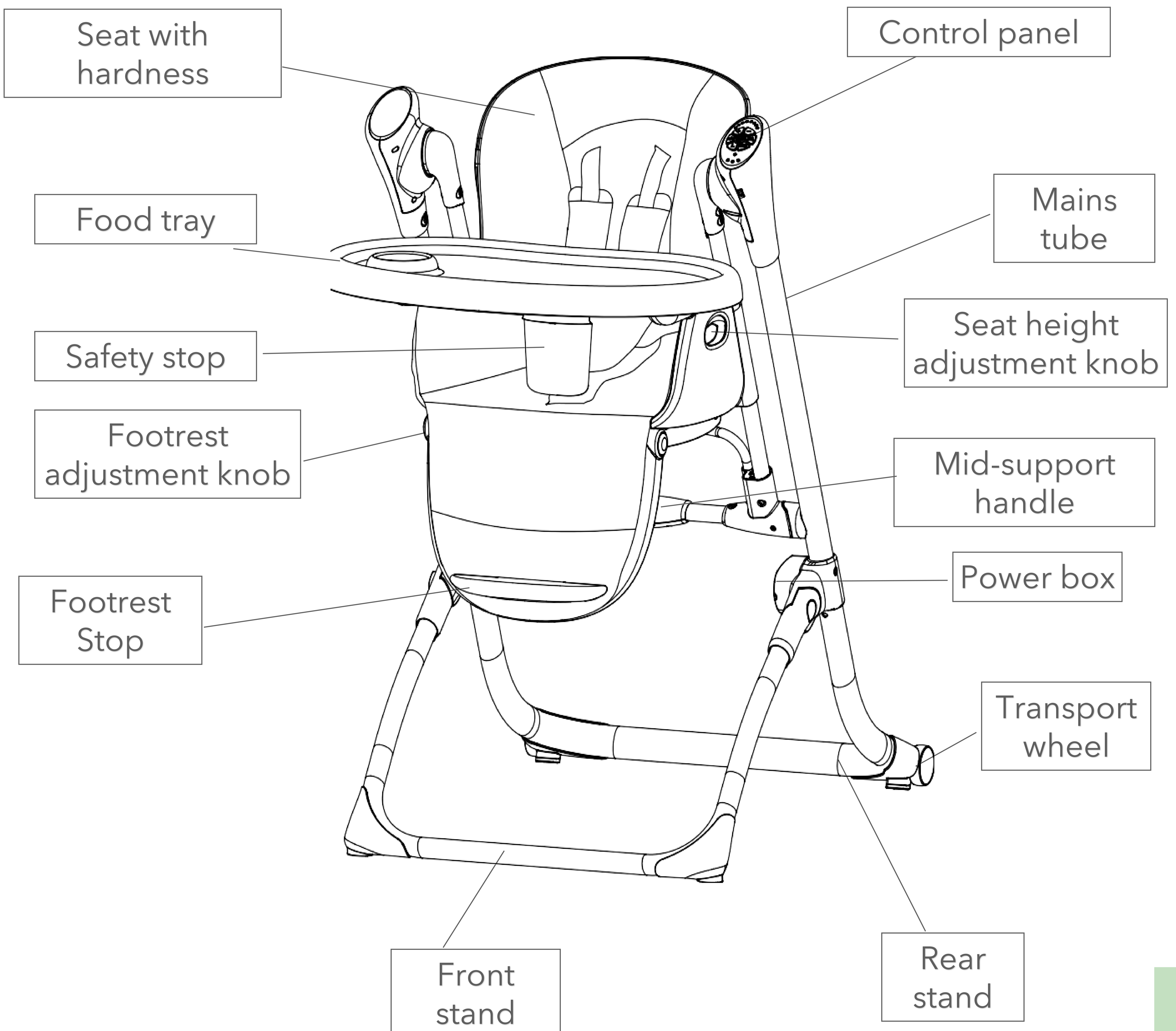


FableKids

love inspired.

Thank you for purchasing our product. Please read the operating instructions carefully before using the product for the first time. If you give the product to a third party, this manual must be handed over with it. Keep the instruction manual for future reference. The drawings in this manual may not match the physical objects. Please refer to the physical objects.

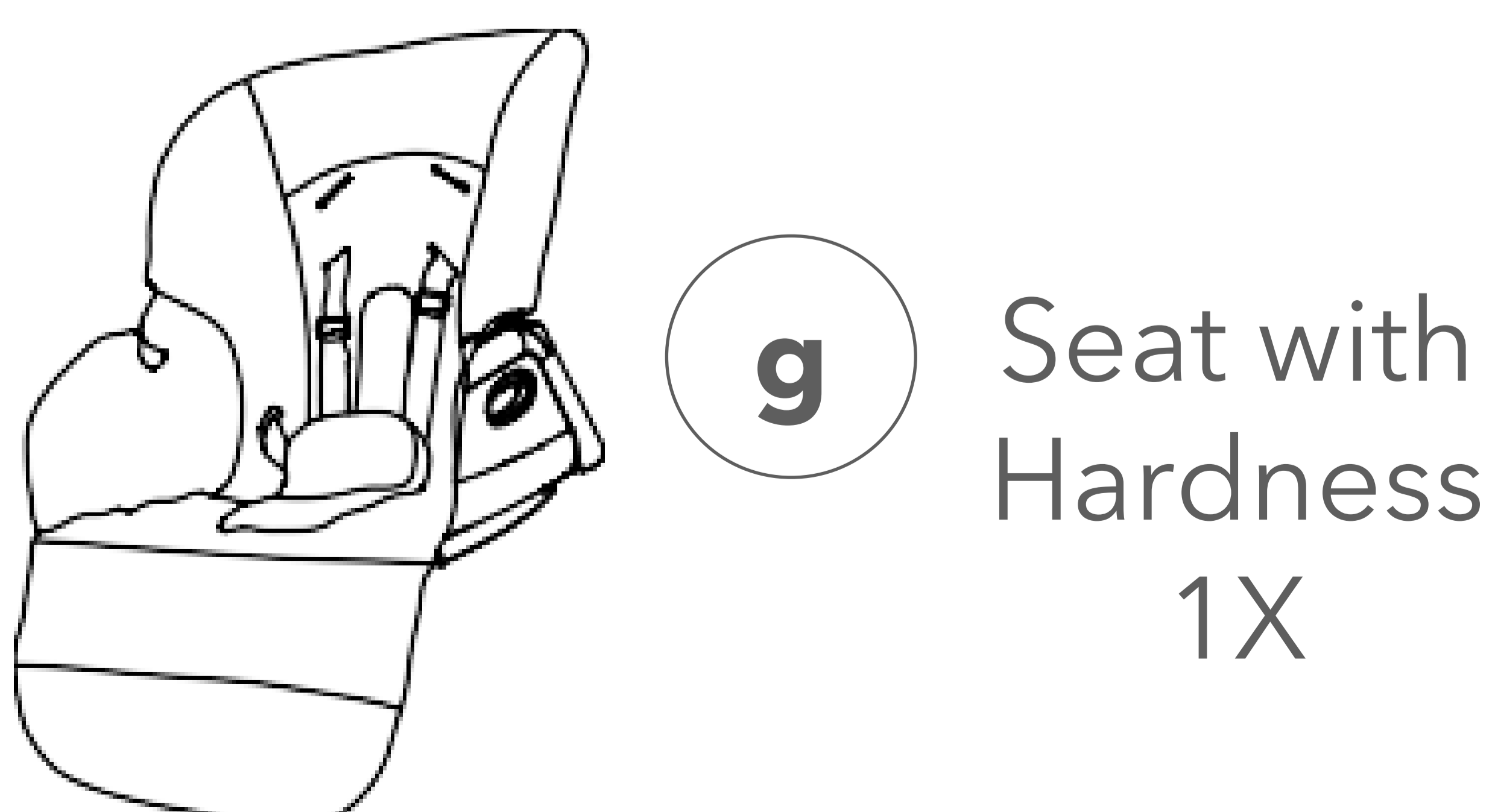
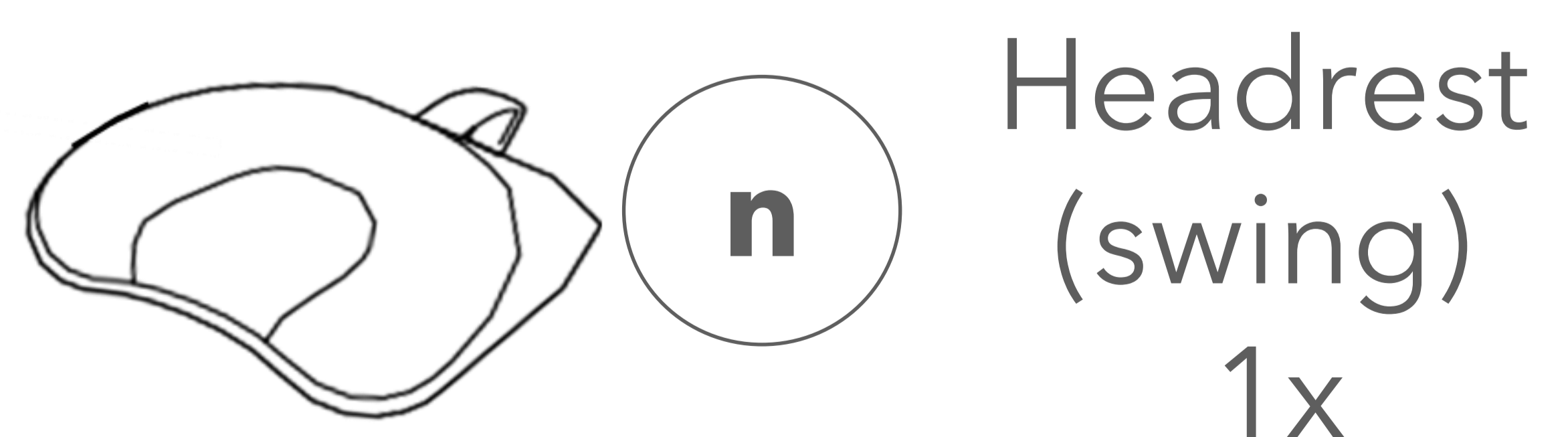
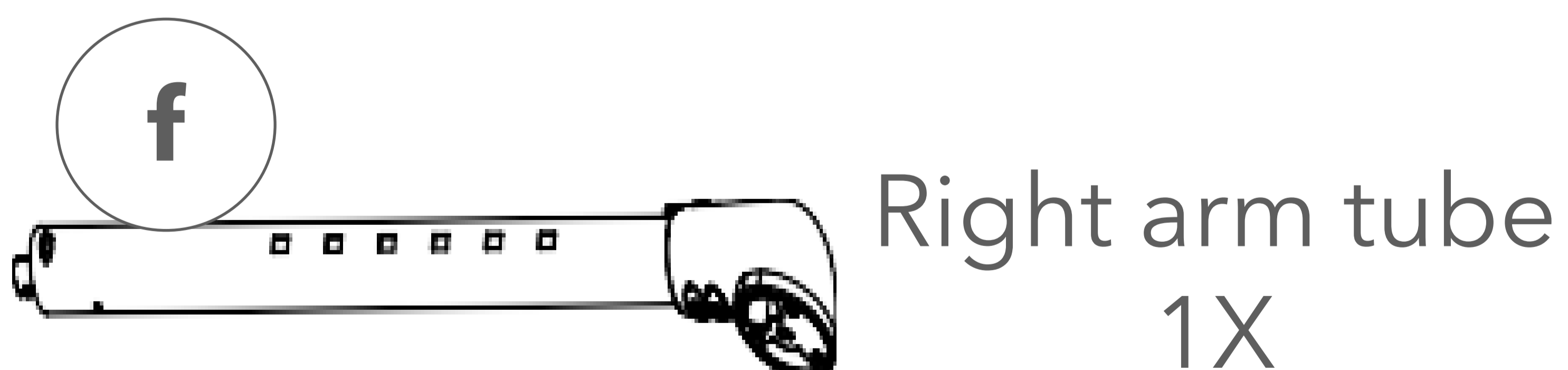
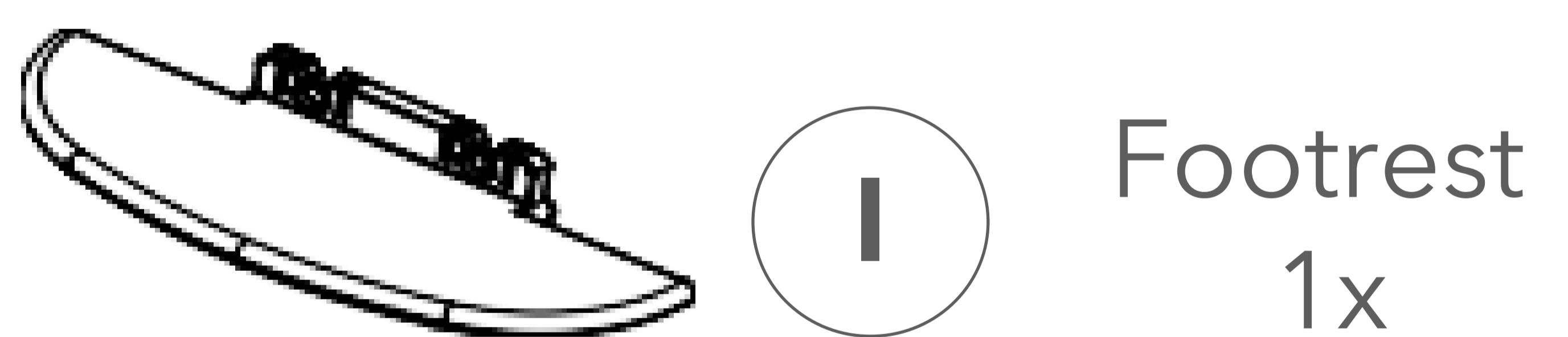
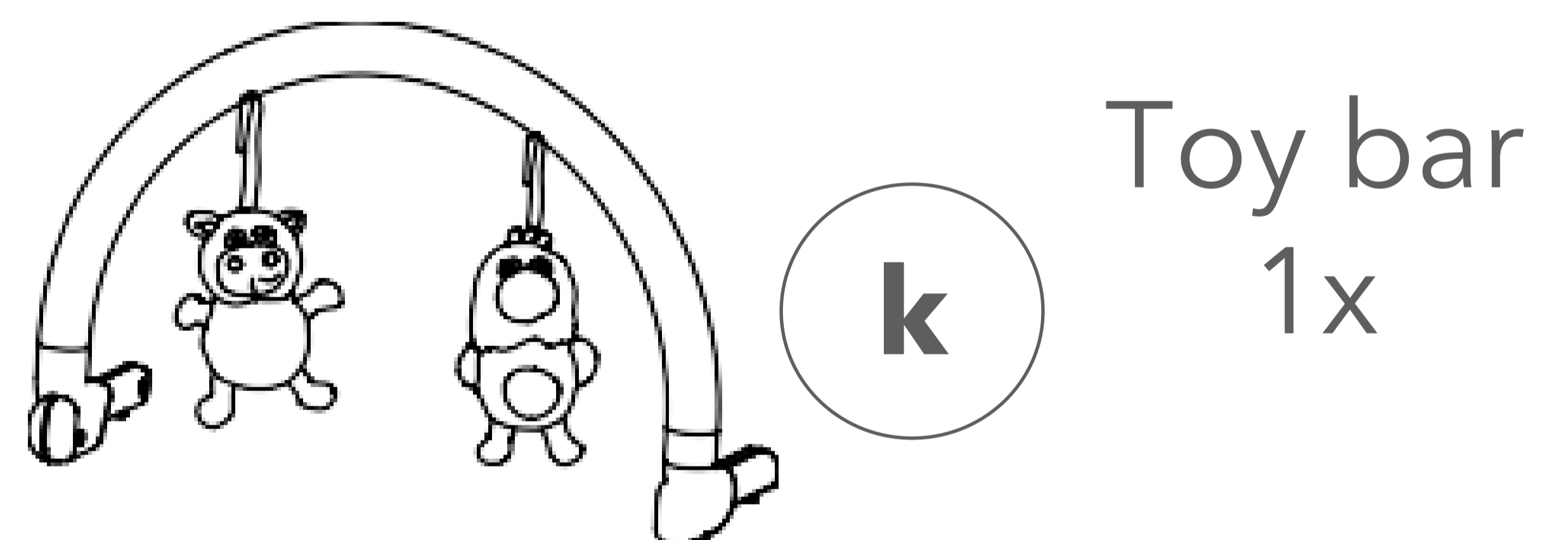
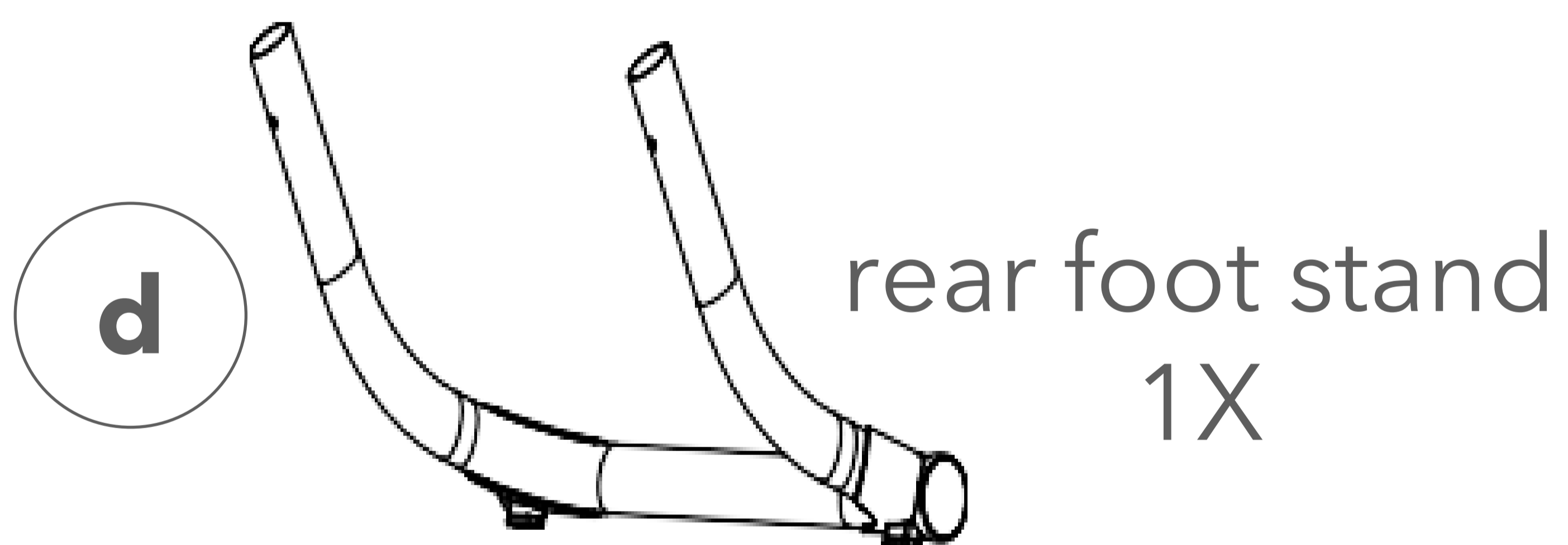
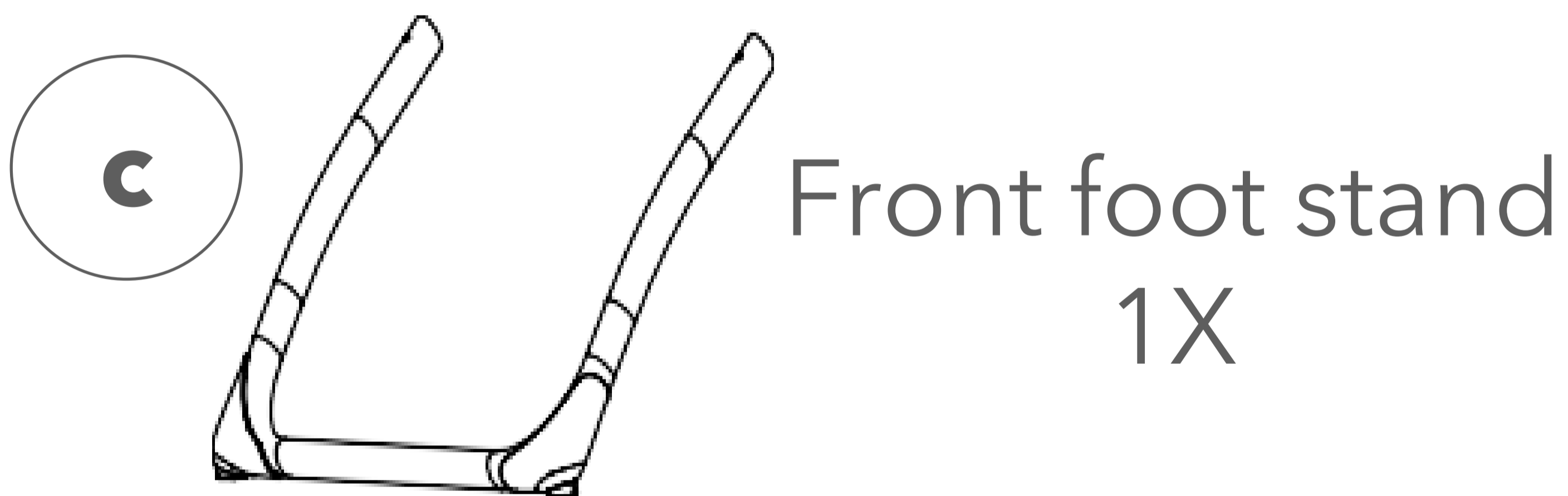
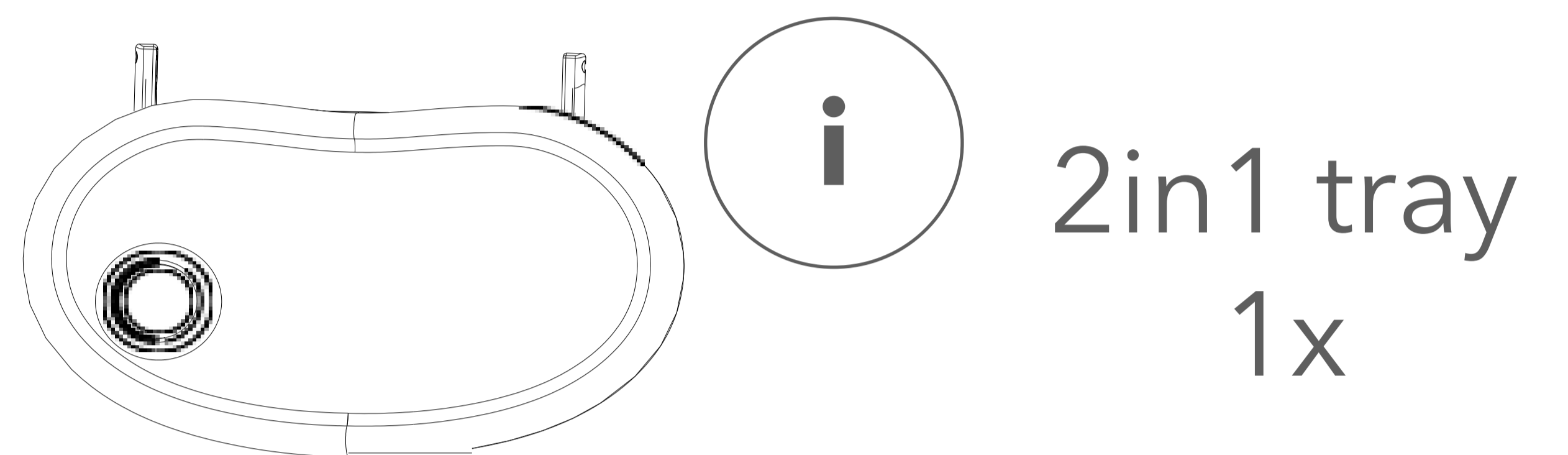
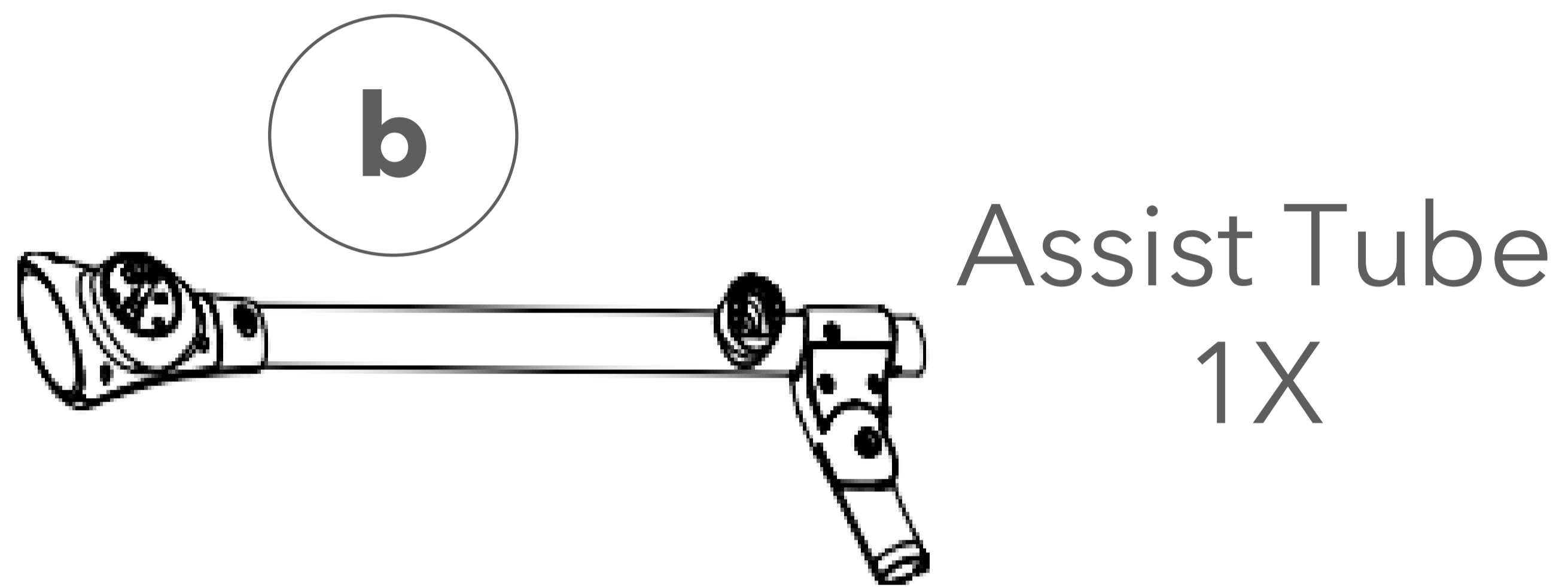
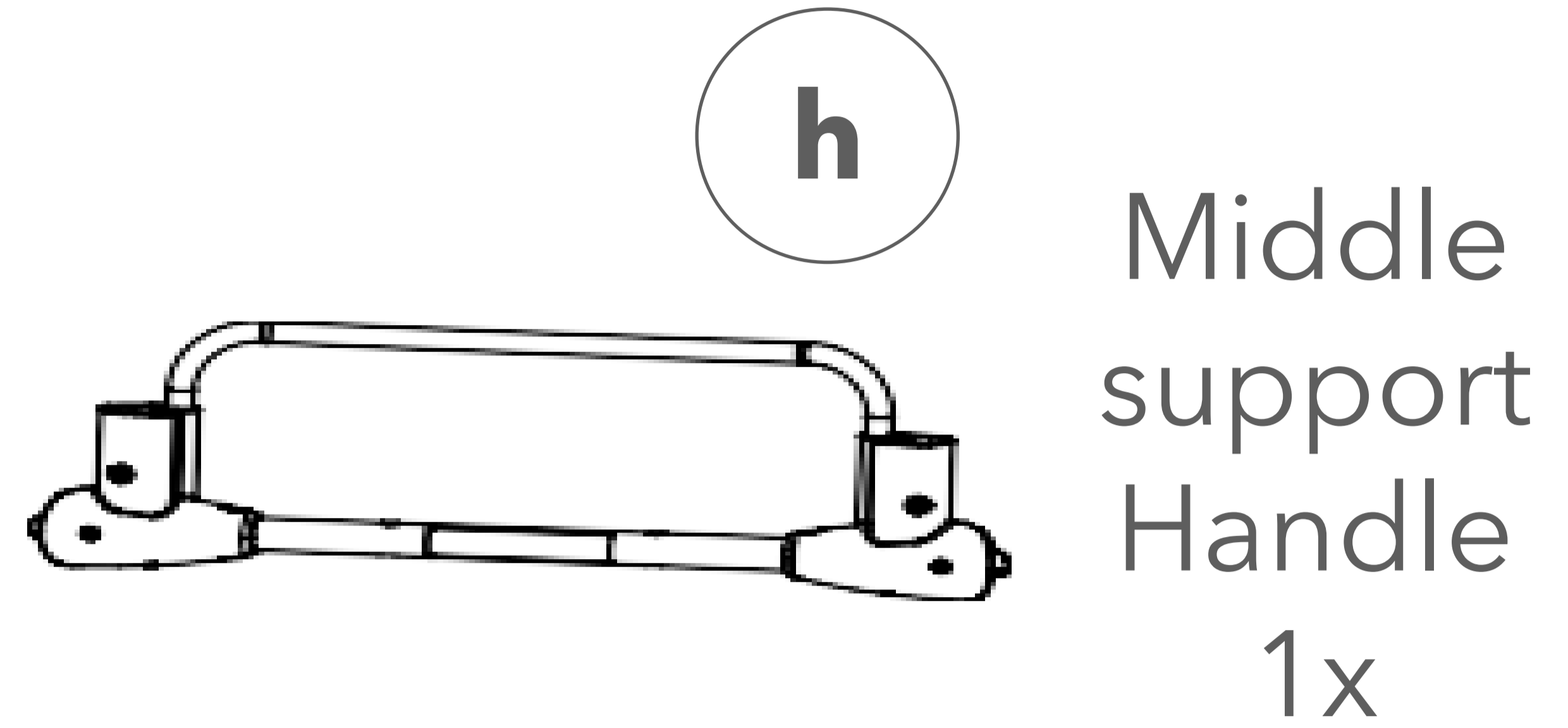
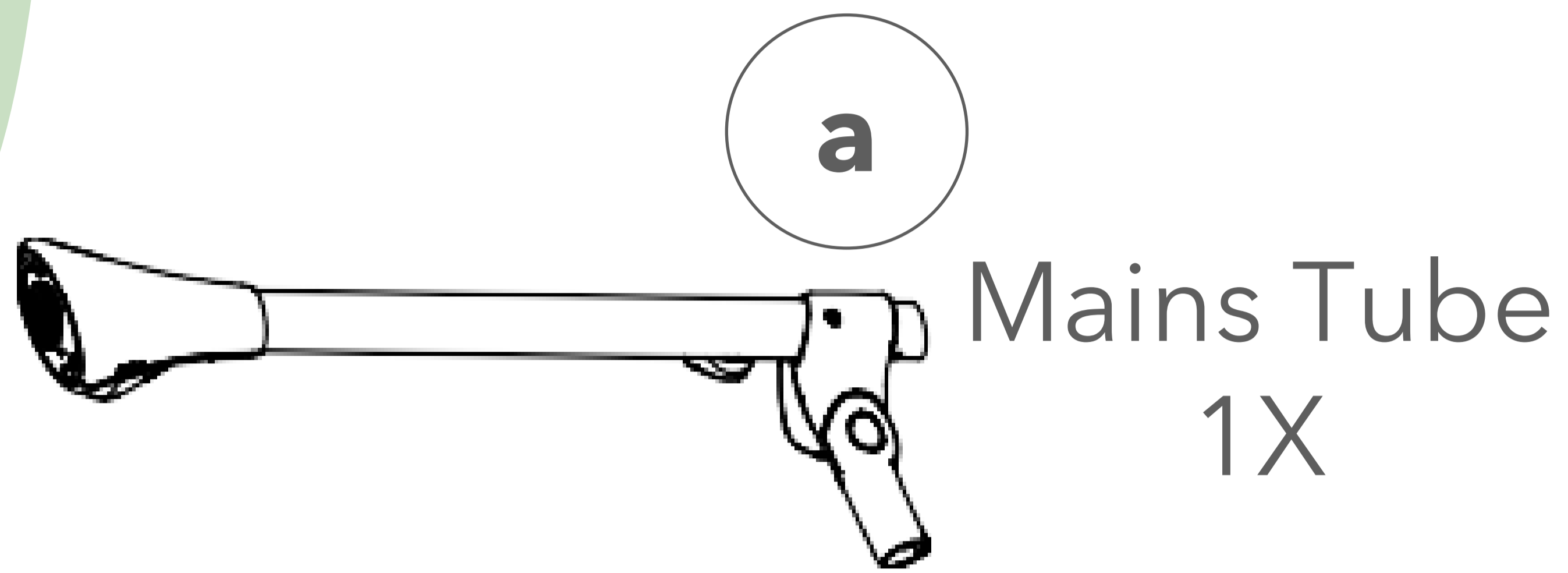
1. Product Overview



FableKids

love inspired.

1. Product Overview



2. Important Safety Information



WARNING

Users and guardians are advised to read the instruction manual carefully before use and to keep it for future reference, as it may affect the safety of the child if fail to use in accordance with the instructions.

• **Warnings for infant swing:**

- Never leave the child unattended.
- Always use this product with the seat belt!
- Do not use this product once your child can sit up unaided or weighs more than 9 kg.
- This product is not intended for prolonged periods of sleeping.
- Never use this product on an elevated surface (e.g. a table).
- Always use the restraint system.
- To avoid injury ensure that children are kept away when unfolding and folding this product.
- Do not let children play with this product.
- Do not move or lift this product with the baby inside it.
- When the product is connected to a music player, ensure that the volume of the music player is set to a low value.
- This product does not replace a cot or a bed. Should your child need to sleep, then it should be placed in a suitable cot or bed.
- Do not use the product if any components are broken or missing.
- Do not use accessories or replacement parts other than those approved by the manufacturer.
- Power adapter cable: strangulation hazard! Keep cable out of reach of children.

2. Important Safety Information



WARNING

Users and guardians are advised to read the instruction manual carefully before use and to keep it for future reference, as it may affect the safety of the child if fail to use in accordance with the instructions.

• **Warnings for highchair:**

- Never leave the child unattended.
- Always use the restraint system.
- Falling hazard: Prevent your child from climbing on the product.
- Do not use the product unless all components are correctly fitted and adjusted.
- Be aware of the risk of open fires and other sources of strong heat in the vicinity of the product.
- Be aware of the risk of tilting when your child can push its feet against a table or any other structure.
- Do not use the product until the child can sit up unaided.
- Do not use the product if any part is broken, torn or missing.
- Keep children away when unfolding and folding the product to avoid injury.
- The product is intended for children able to sit up unaided and up to 3 years or a maximum weight of 15 kg.



IMPORTANT!

Always secure infant in the restraint system provided!

3. Product Assembly

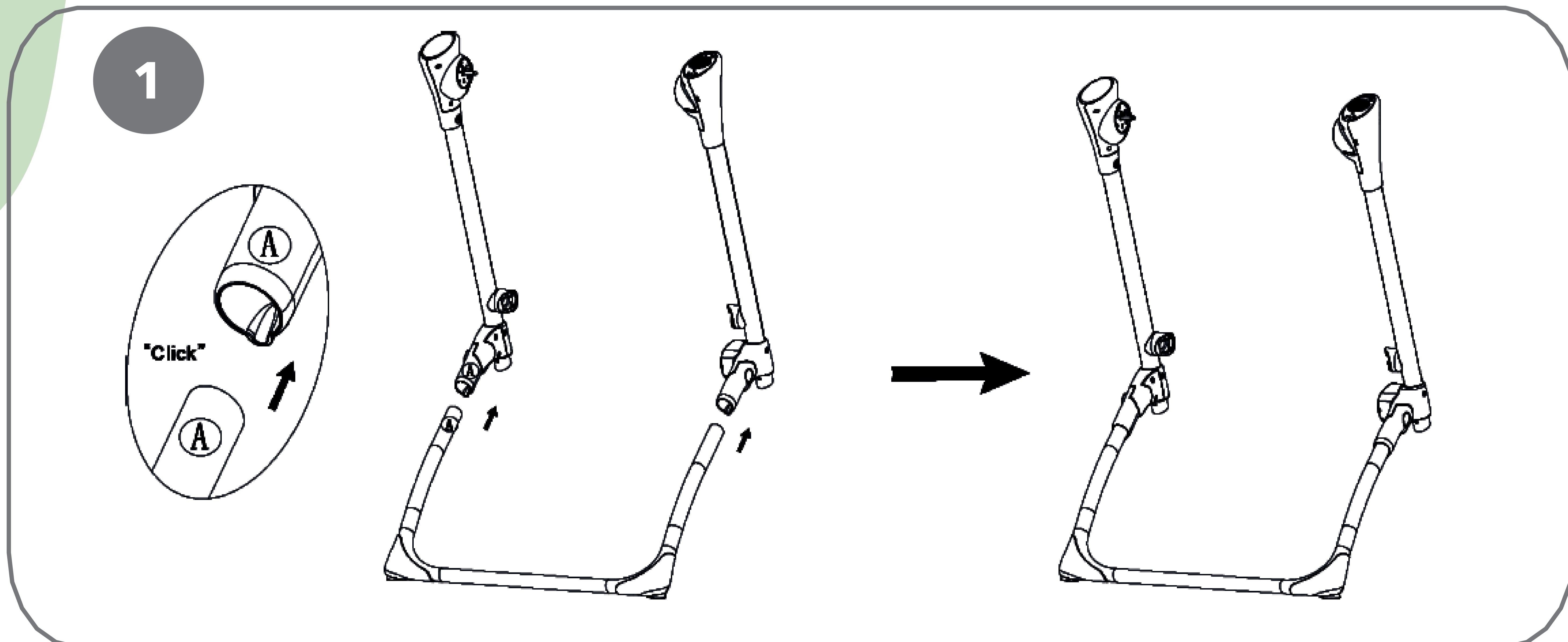


Fig.1 Connect front tubes of the base (A) to lower joint of main tubes (A); a successful connection will be signaled with a click .

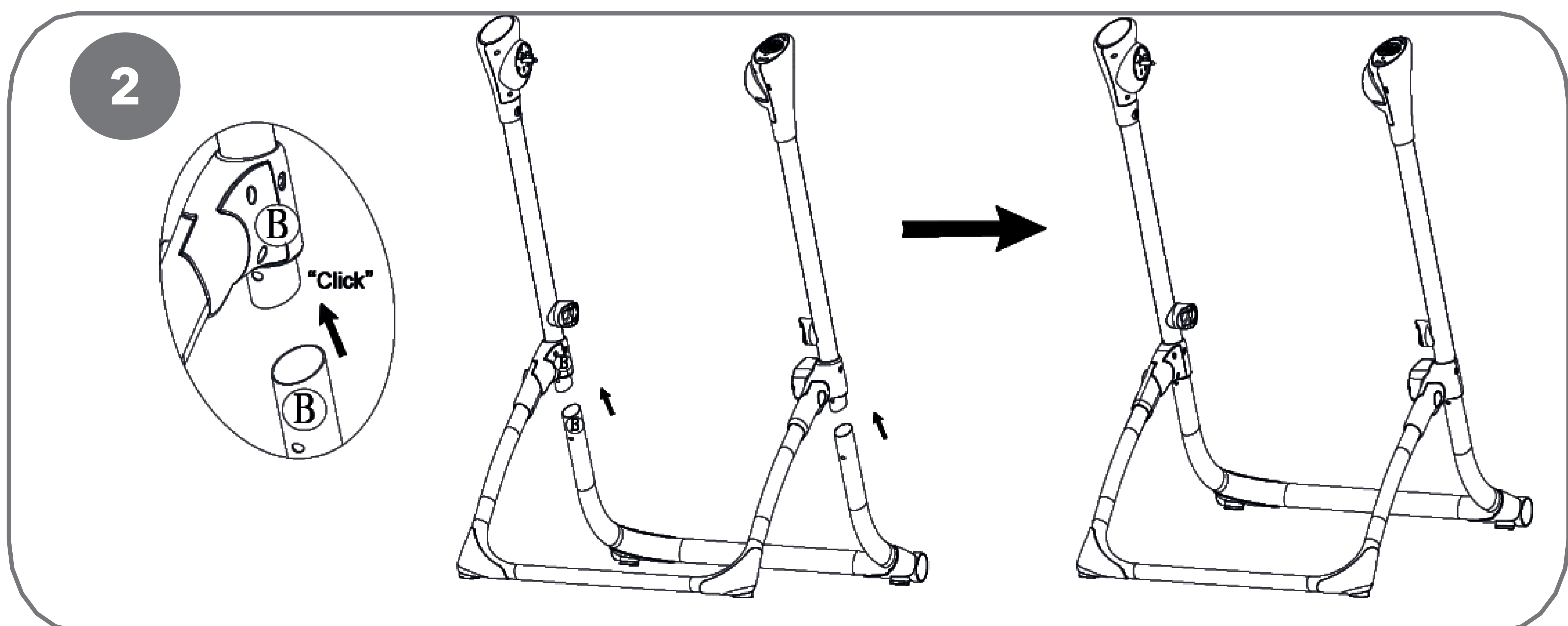


Fig.2 Connect rear stand of the base (B) to frame tubes (B); a successful connection will be signaled with a click

3. Product Assembly

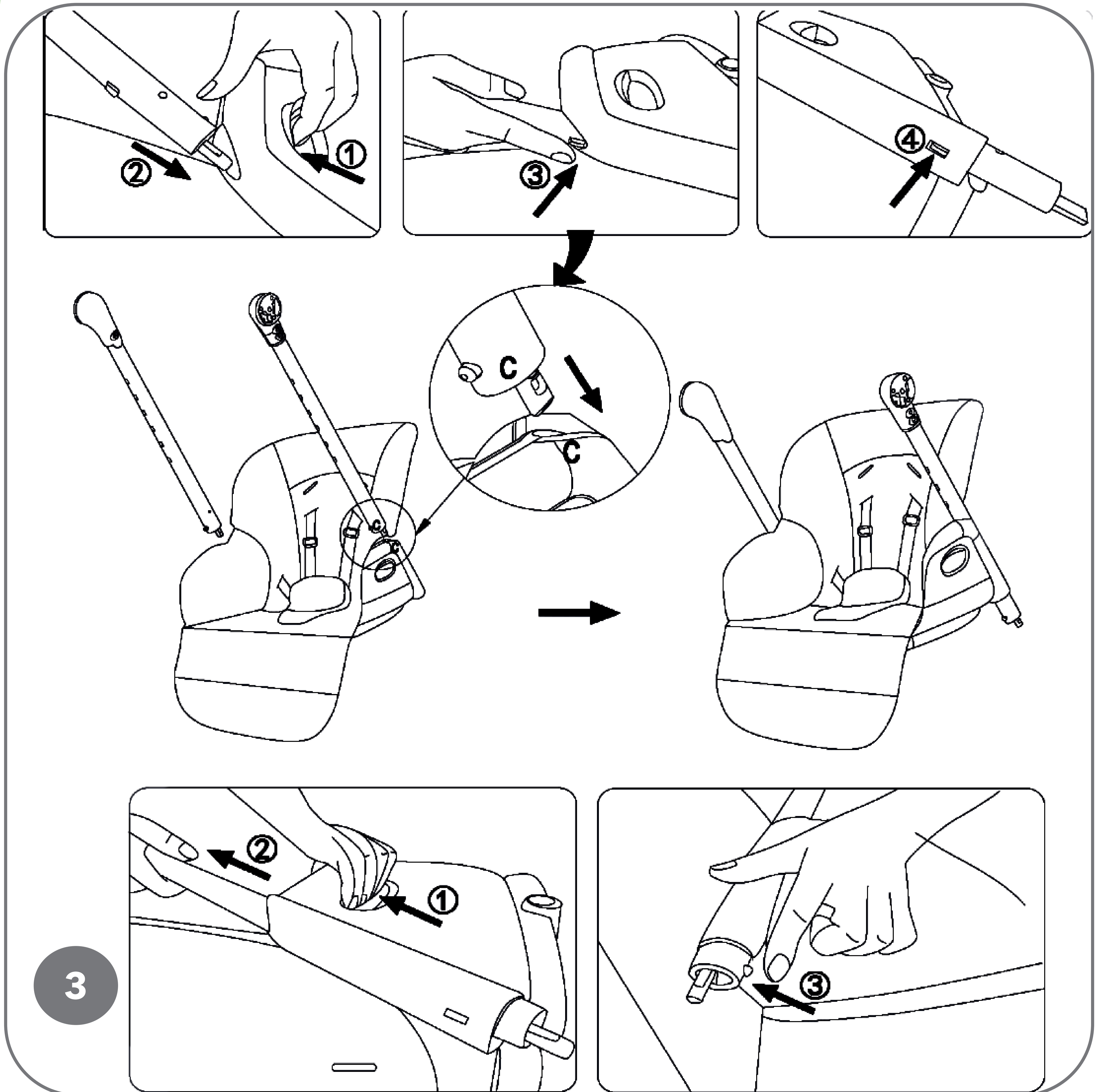


Fig.3.
Insert the rocking chair arms (C) in the chair guides (C)

3. Product Assembly

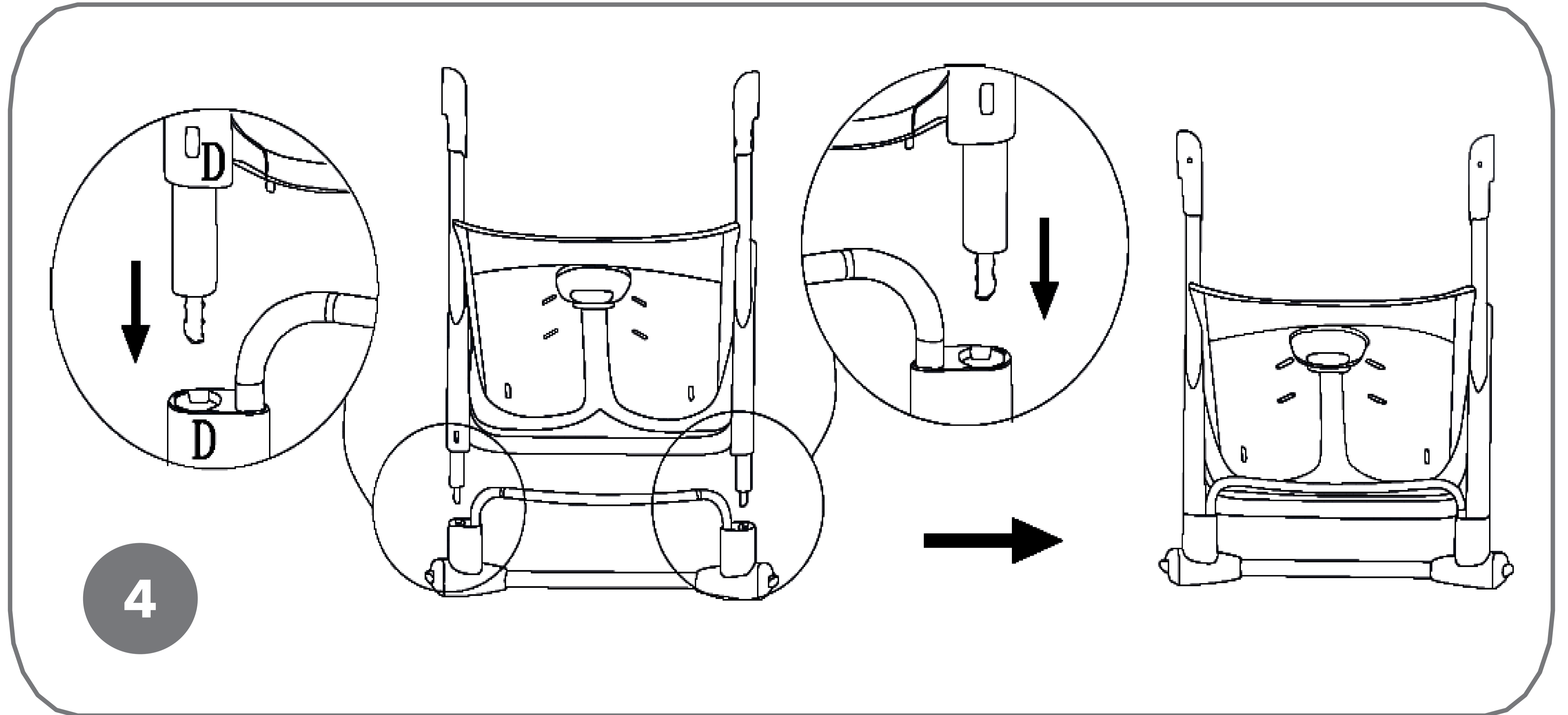


Fig.4. Connect the rocking chair interlock (D) to arm tips (D), make sure they are fixed in position .

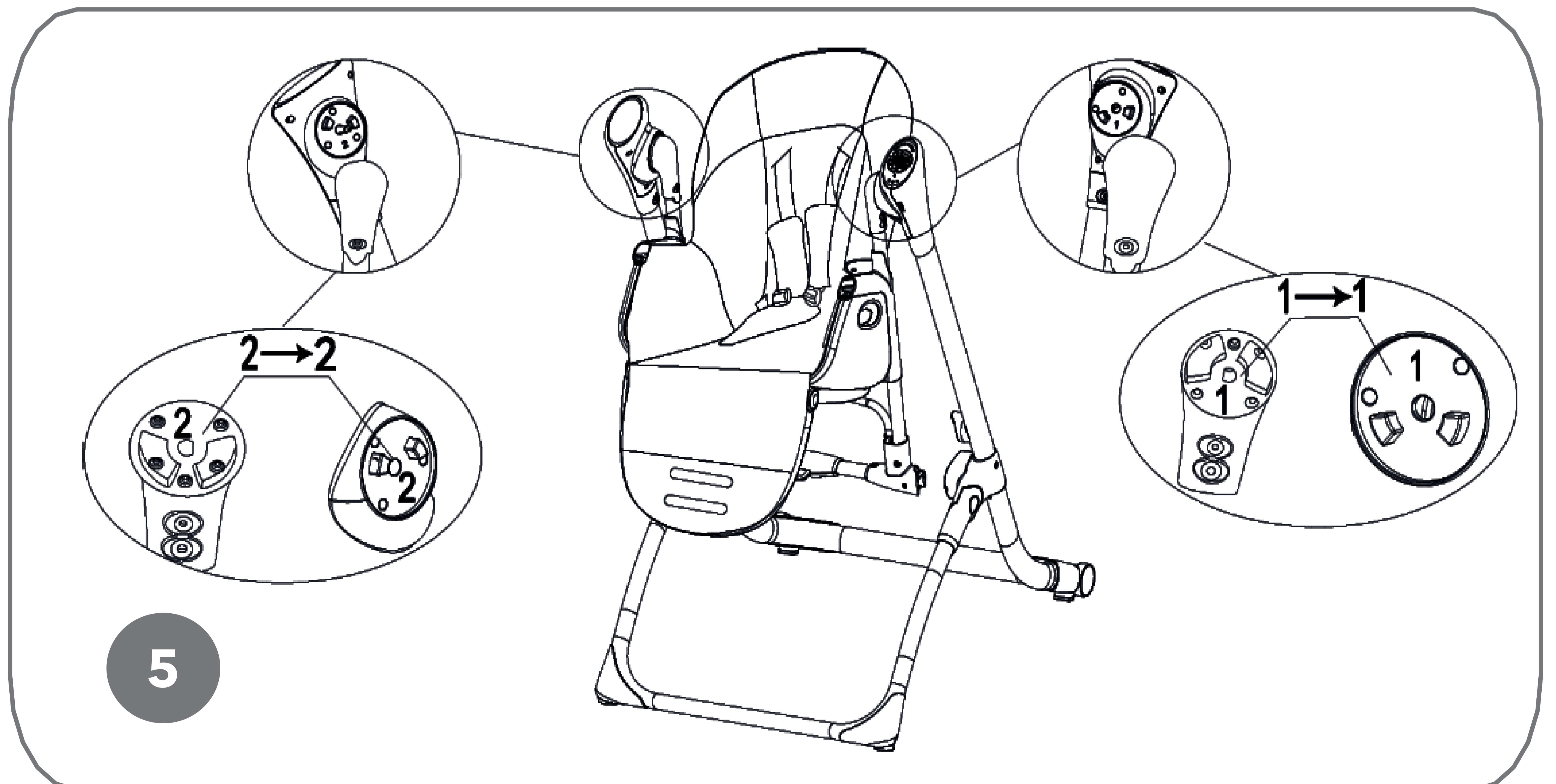


Fig.5. Connect left and right arm to the frame.

Pay attention to match numbers of the parts. : 1 to 1; 2 to 2.

3. Product Assembly

use a tool of diameter about 4mm
push the quick detachable button
to disassemble

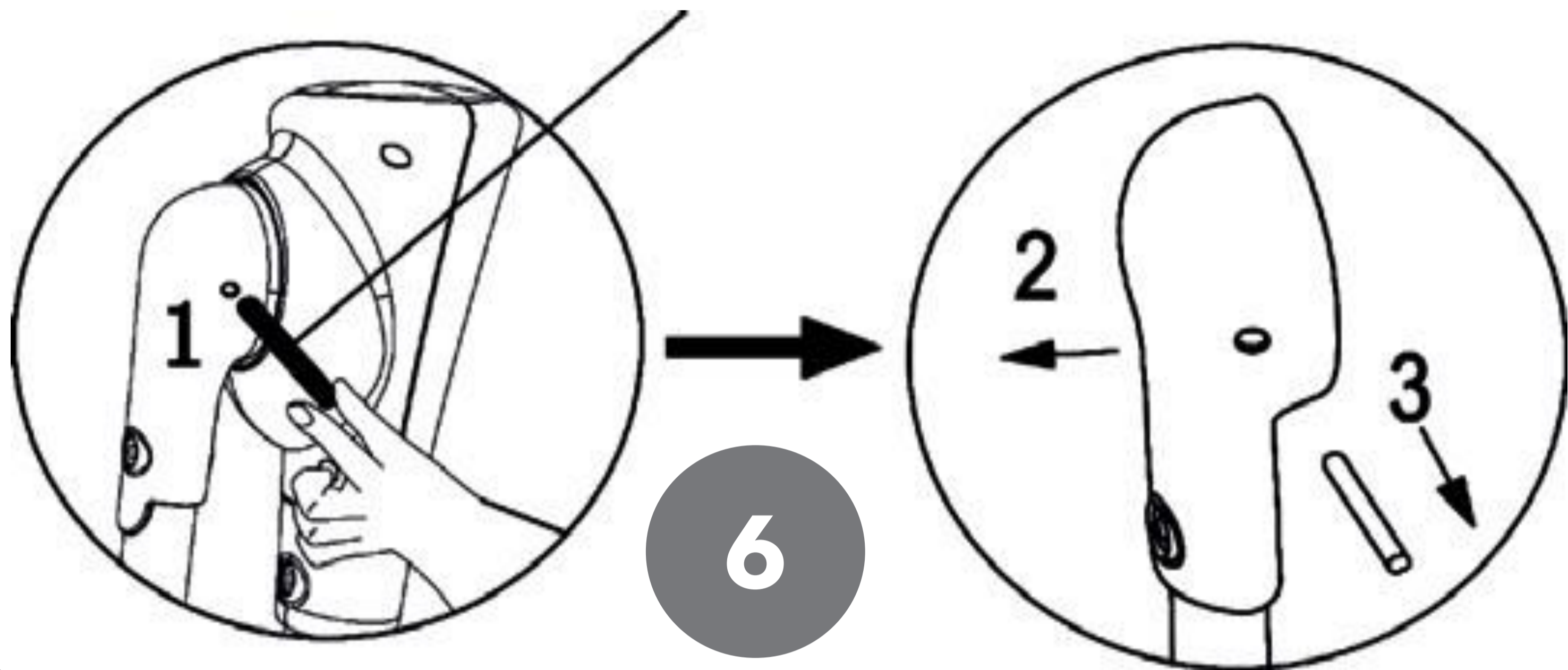


Fig.6 To disconnect arms from the frame, use a thin 4-mm tool (e.g. screwdriver), press the interlock and pull the arms out.

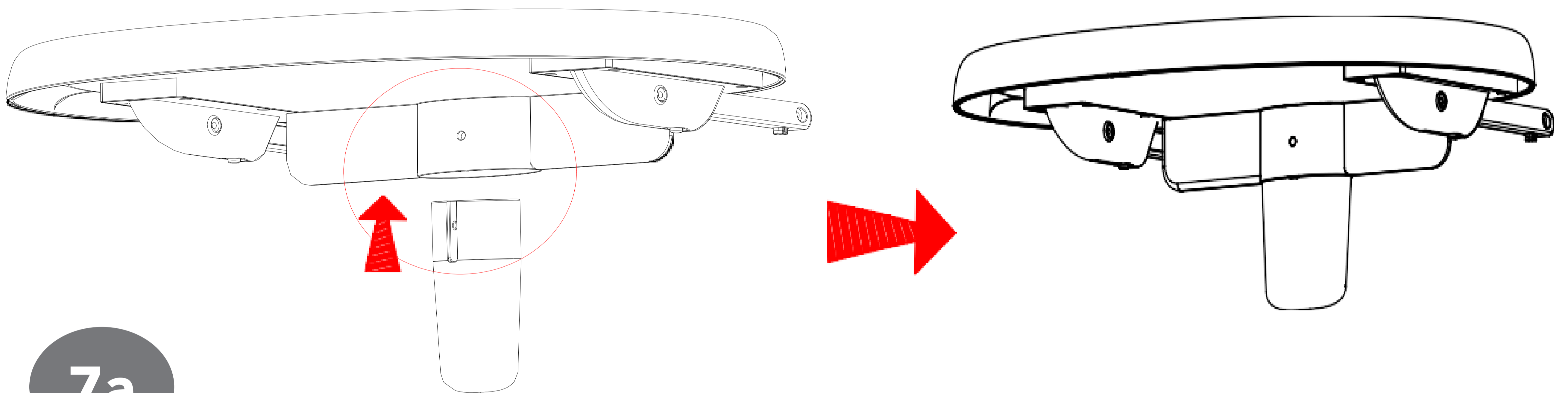


Fig.7a Assembly the safety stop and the tray, notice that the safety stop's shrapnel must pop.

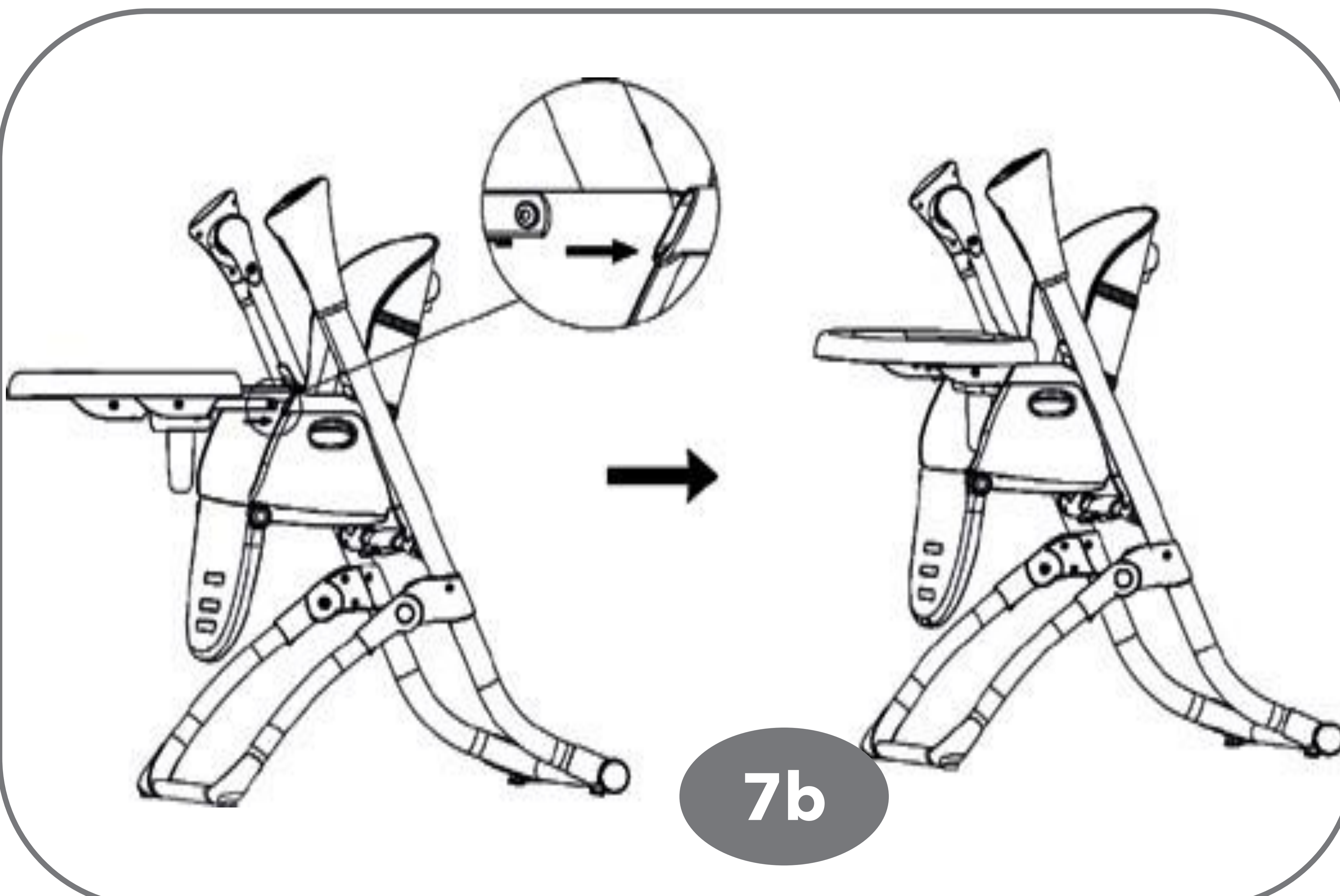
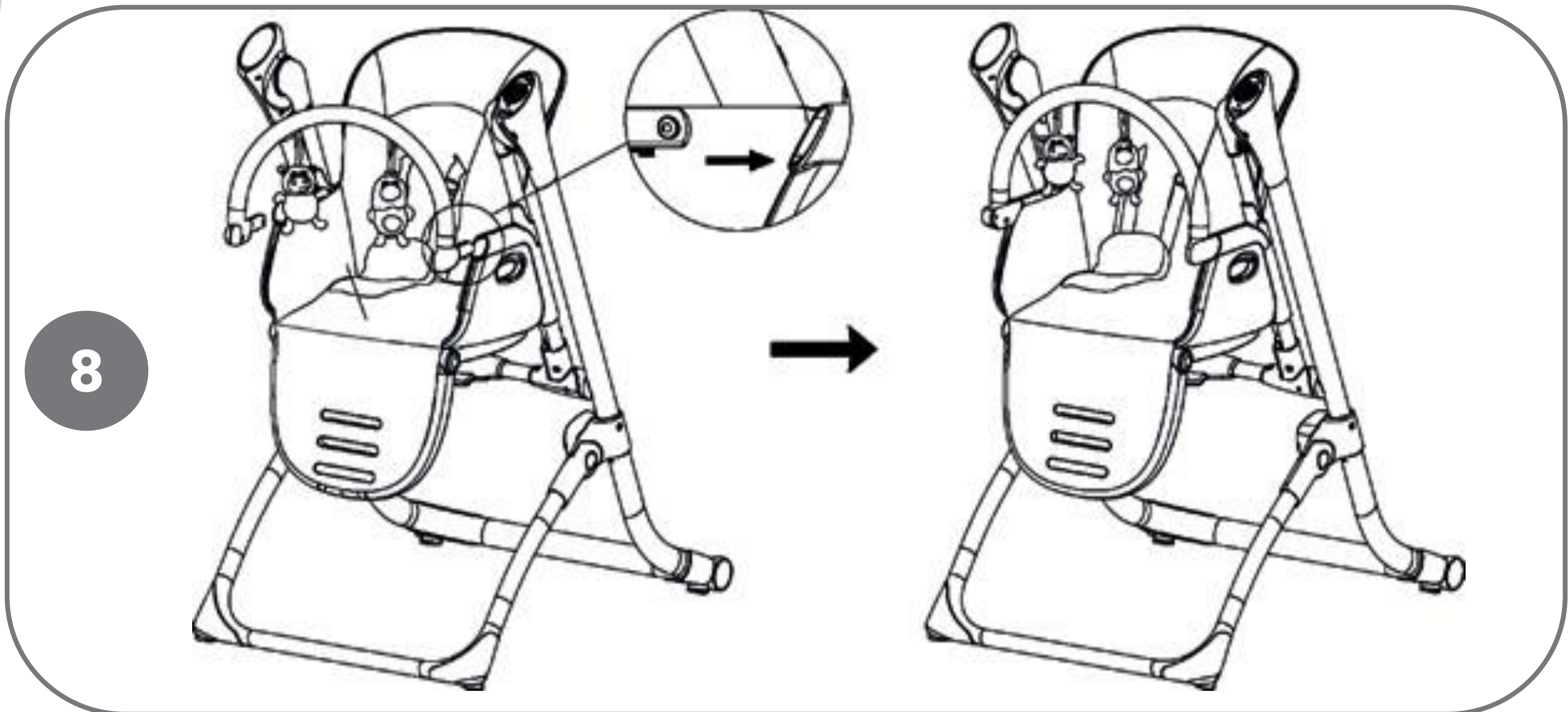


Fig.7b To fix the tray, insert it in the guide until locked in the handle.

Notice: Use the high chair with dinner plate.

3. Product Assembly



Notice: Use the swing with toys bar.

Fig.8 To fix the toy bar, insert the tips of the bar in the guides until locked in the handle.

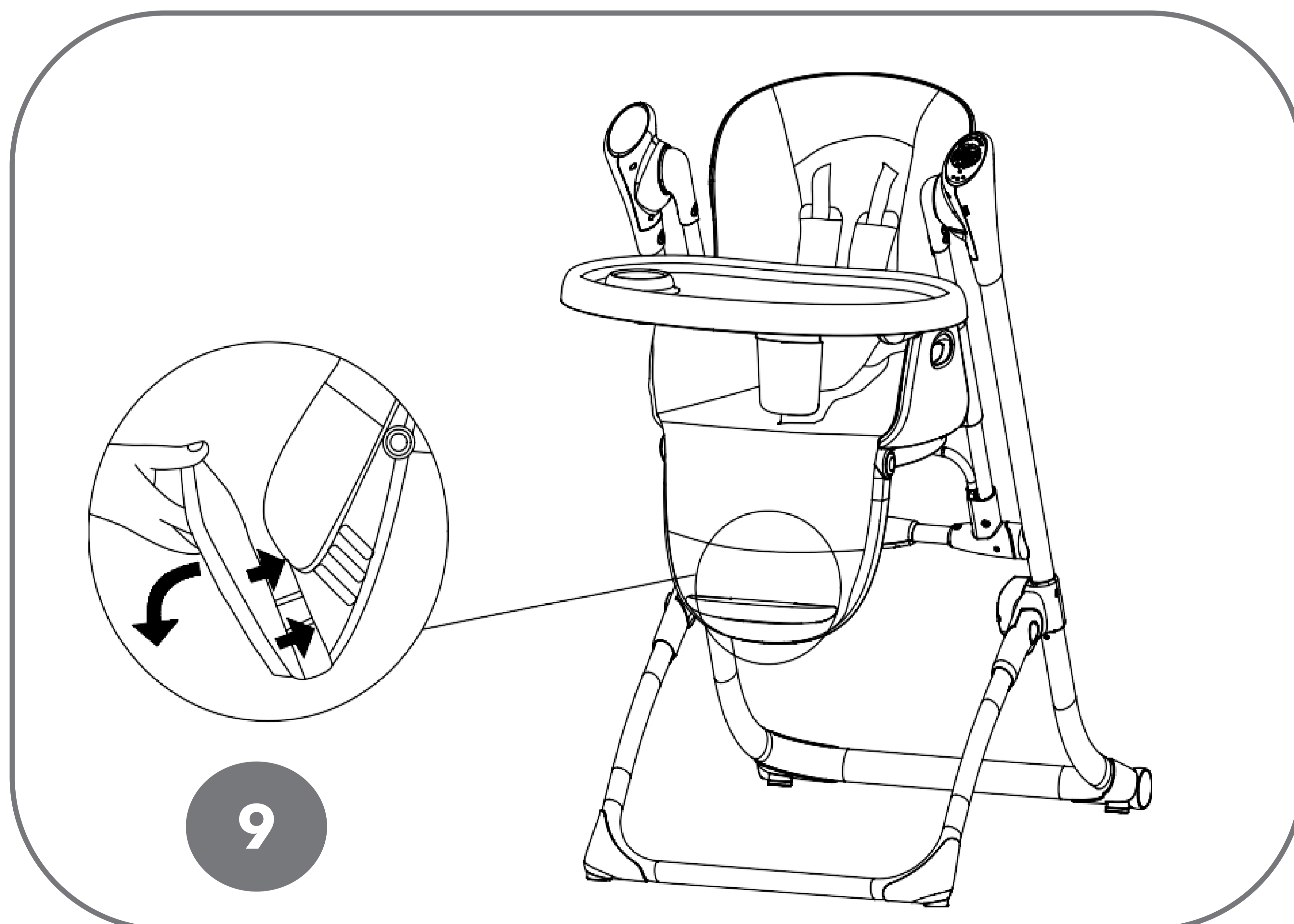


Fig.9 Put footrest pedal on the pedal port and then press down, installed in place. It has 3 positions of height. Adjusting the height of leg rest, refer to Fig.10.

4. How to use the Product backrest adjustment function

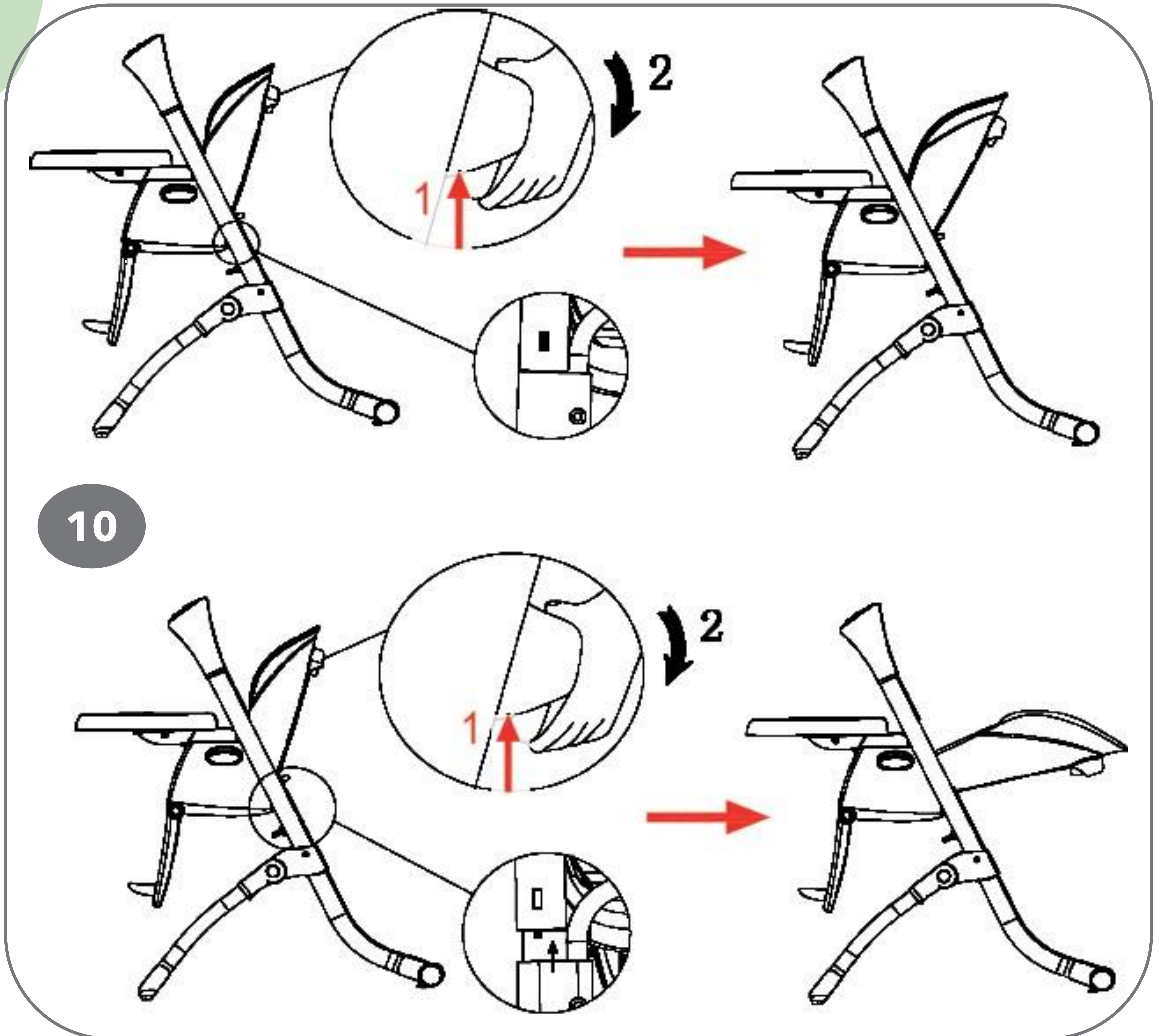


Fig.10 Before changing the **backrest inclination angle**, please take the child out of the chair and lock arms.

Next, press the backrest adjustment button (the button is in the back of the rest in the upper area) and change backrest inclination angle.

4 adjustment levels are available .

4. How to use the Product

Seat height adjustment function

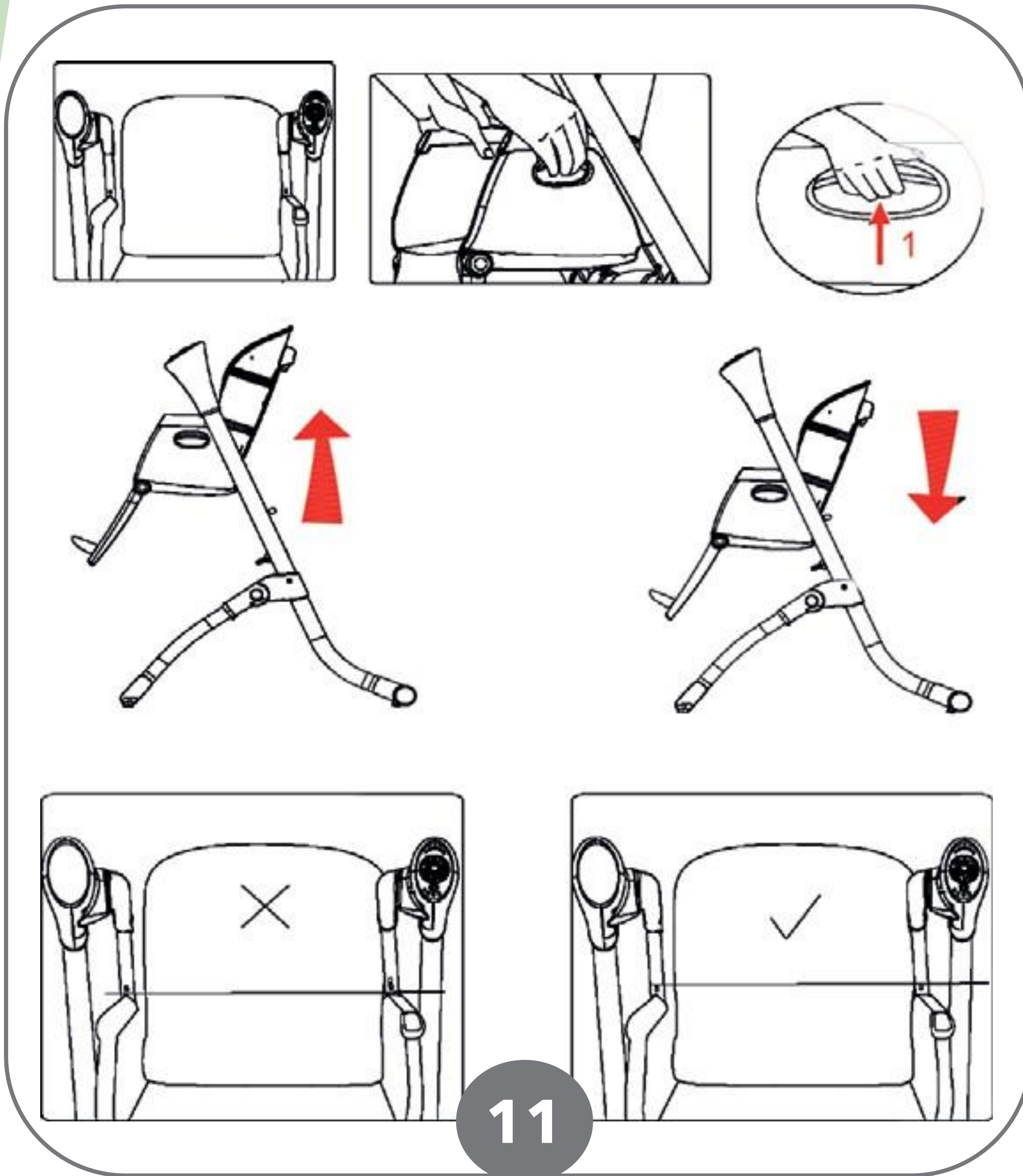


Fig.11 chair heights are adjustable. To change the chair height, press chair height adjustment buttons located on side backrests and adjust to desired height.

Note: Only change the seat height when it is highchair mode

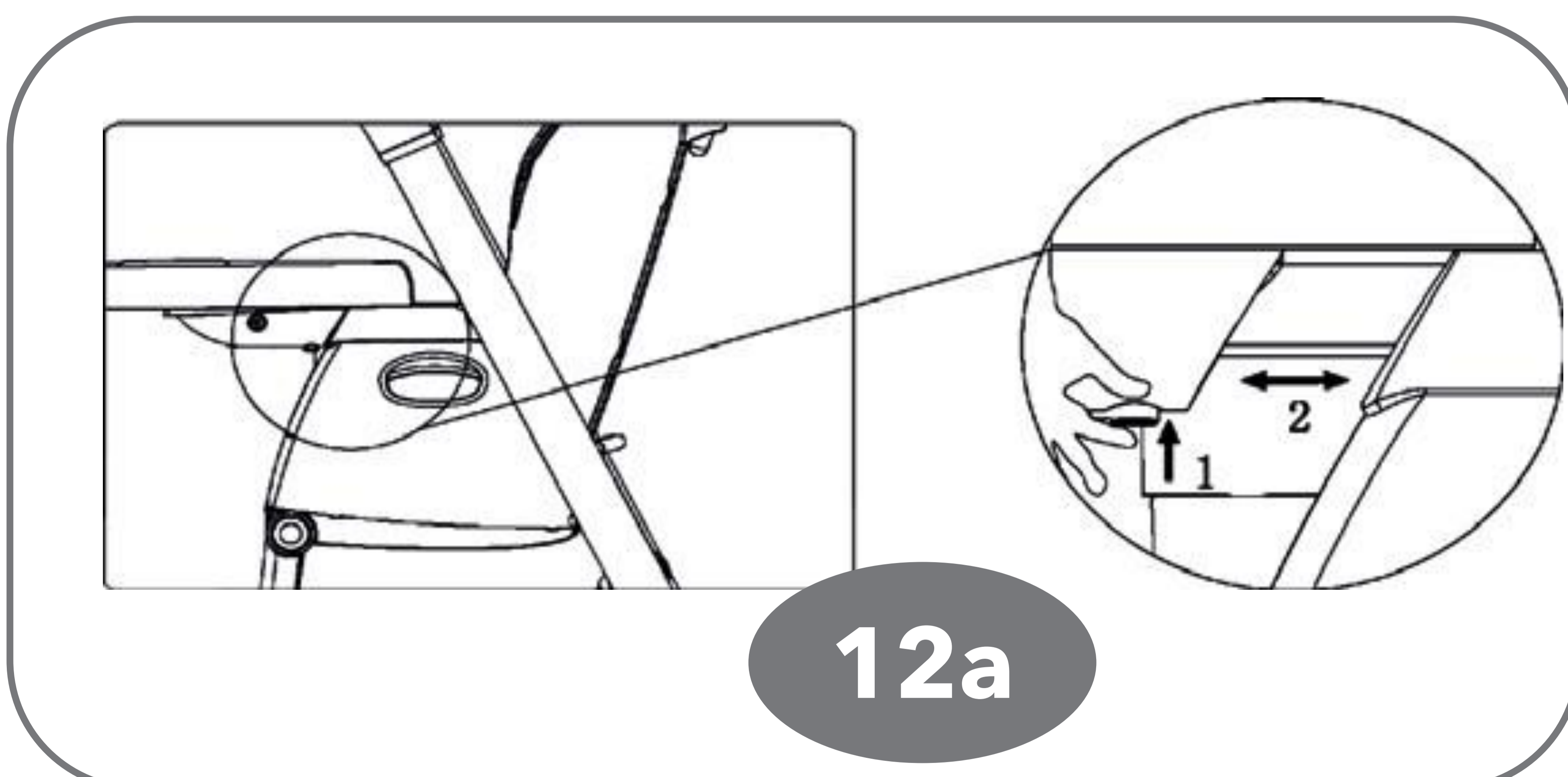
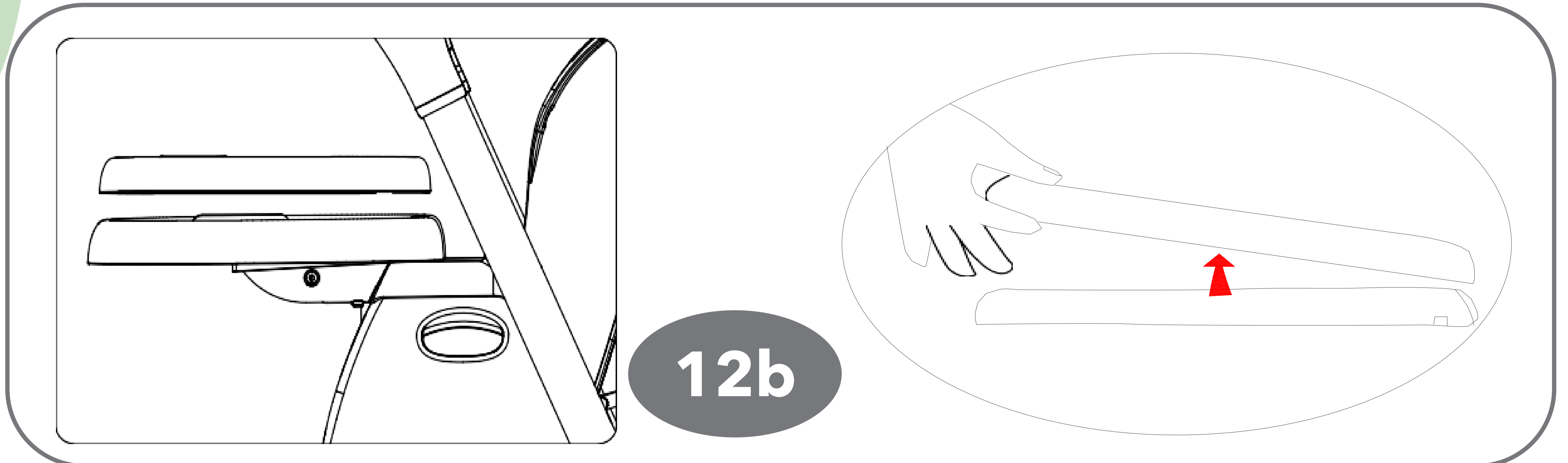


Fig.12a
3 tray levels are available.

To adjust the tray location, press buttons located at the bottom of the tray and set a suitable distance between the tray and seat.

4. How to use the Product

Clean the tray



Adjusting leg rest

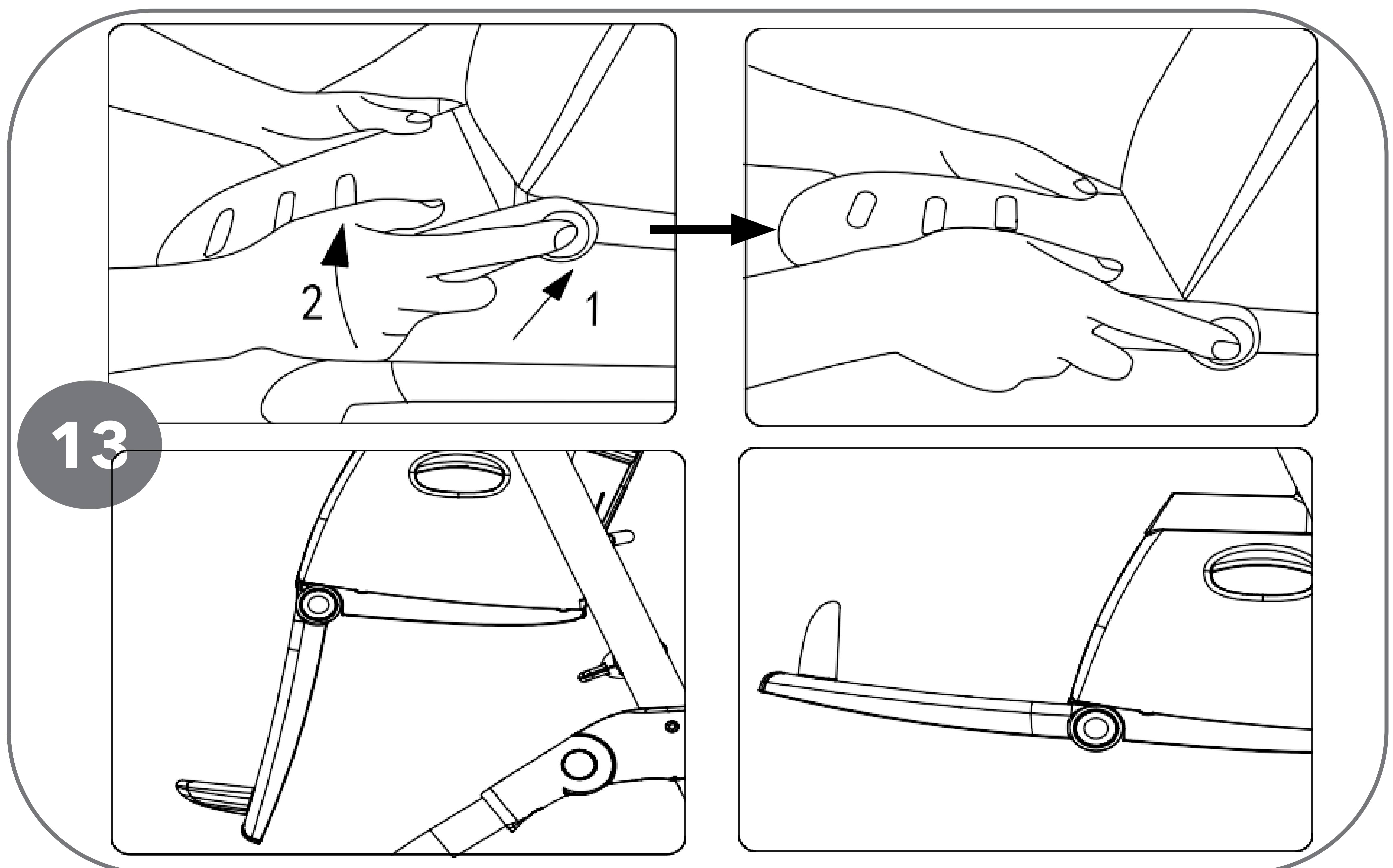


Fig.13

Press on both sides of the footrest button at the same time to adjust up and down (4 sections).

4. How to use the Product Activate swing feature

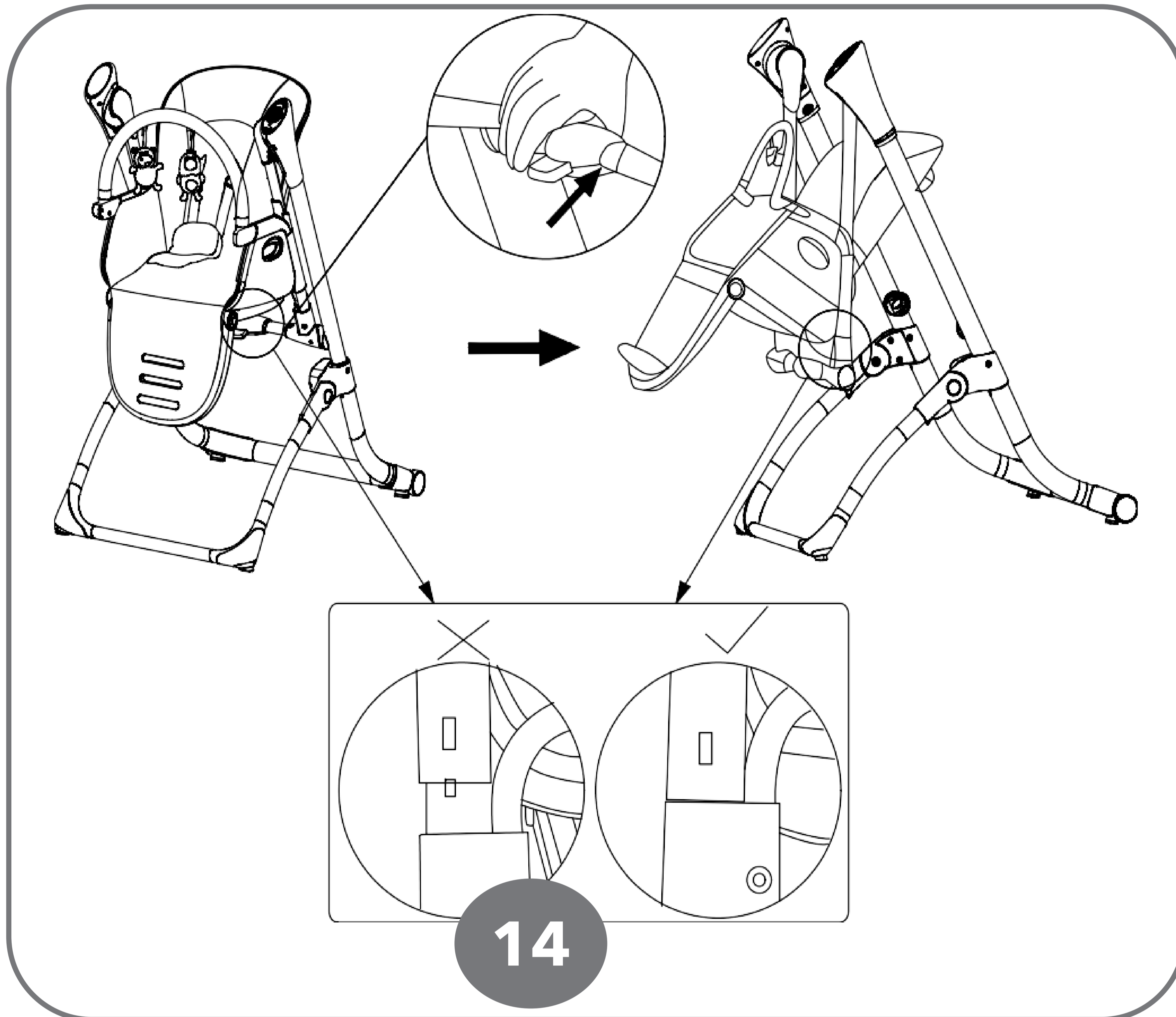


Fig.14 To activate a rocking feature, the lowest position of the seat must be adjusted.

Next release the protection by pressing the button in the center and lower part of the rocking chair interlock .

Note: when the chair is rocking, you cannot change the seat height.

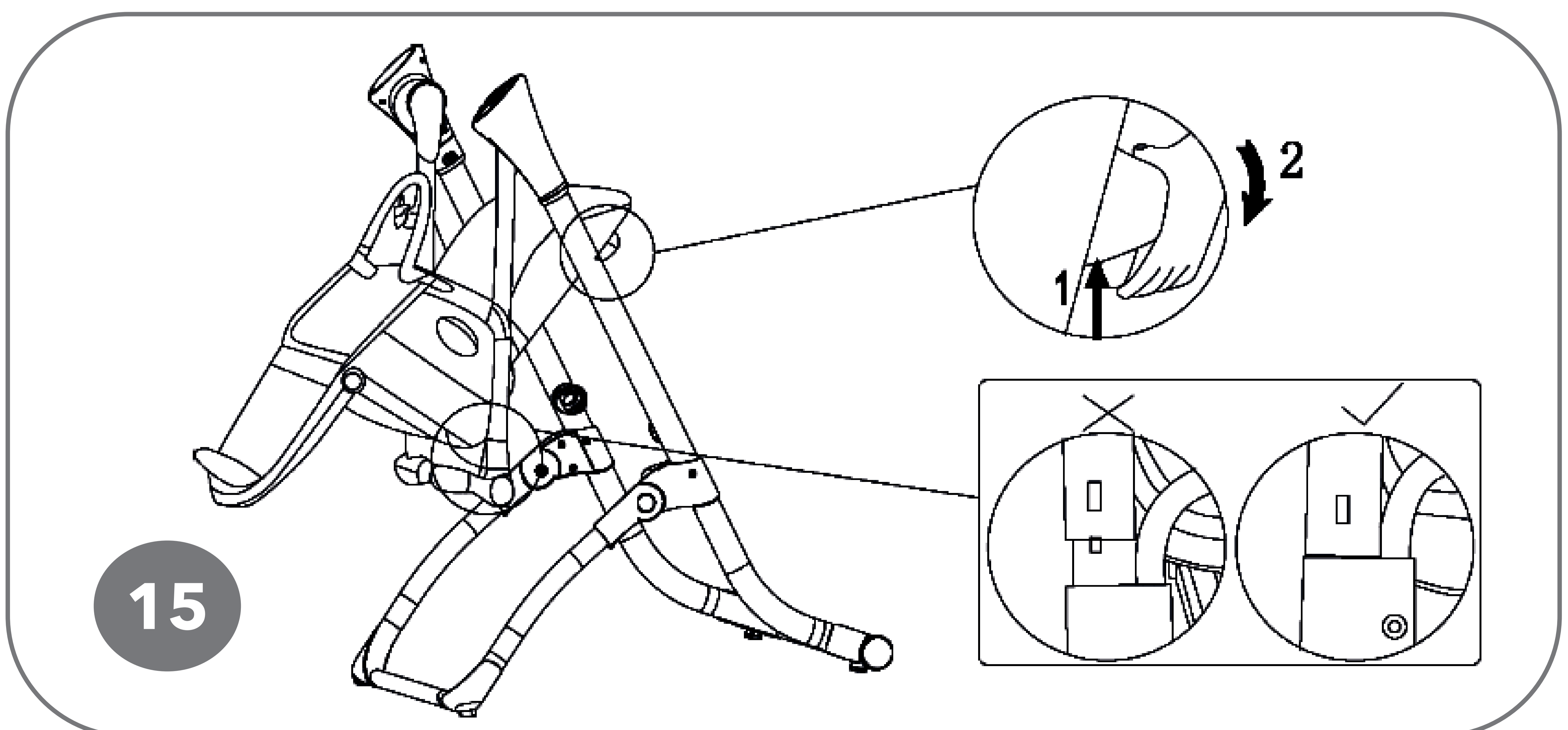
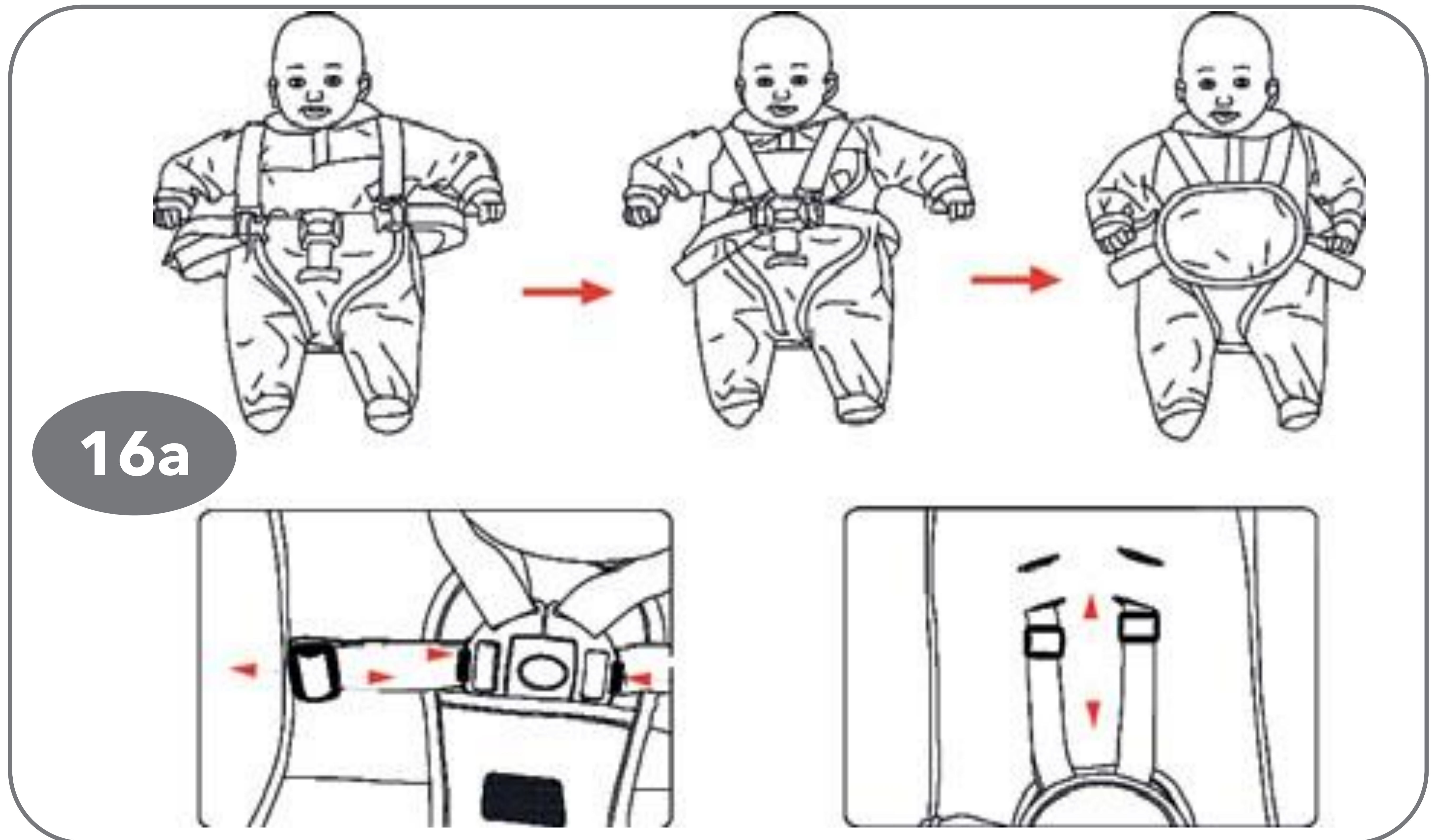


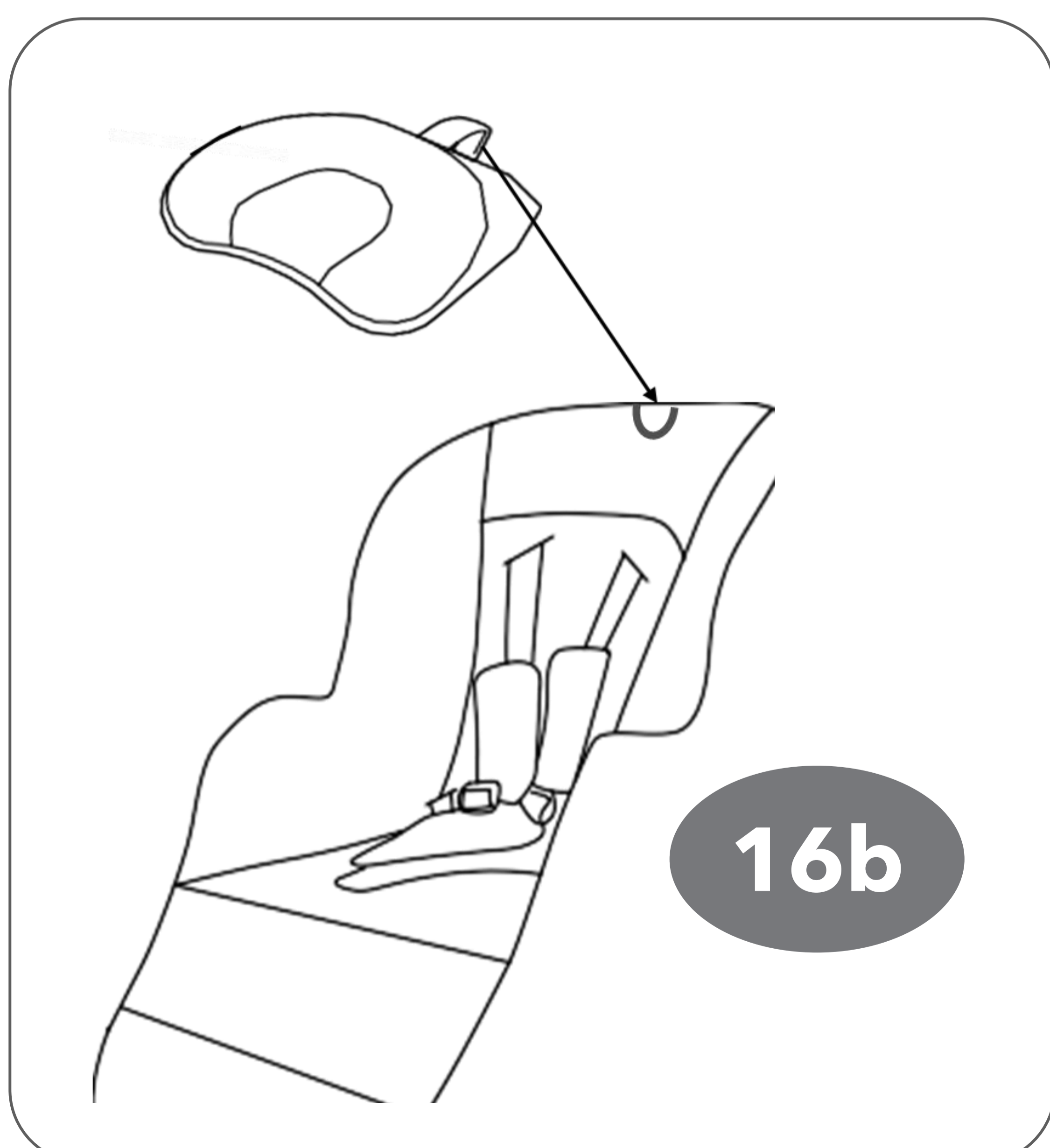
Fig. 15 In swing status, backrest can be adjusted to 2 positions.

4. How to use the Product



16a

Fig.16a When you have placed your child in the chair, please secure it with safety belts. The length of belts can be adjusted by means of buckles.



16b

Fig.16b

Place the headrest onto the seat, then pull the hook-and-loop strap through the circle. Fold to secure.

Note:

Use the headrest in swing mode.

This product does not replace a cot or a bed.

4. How to use the Product

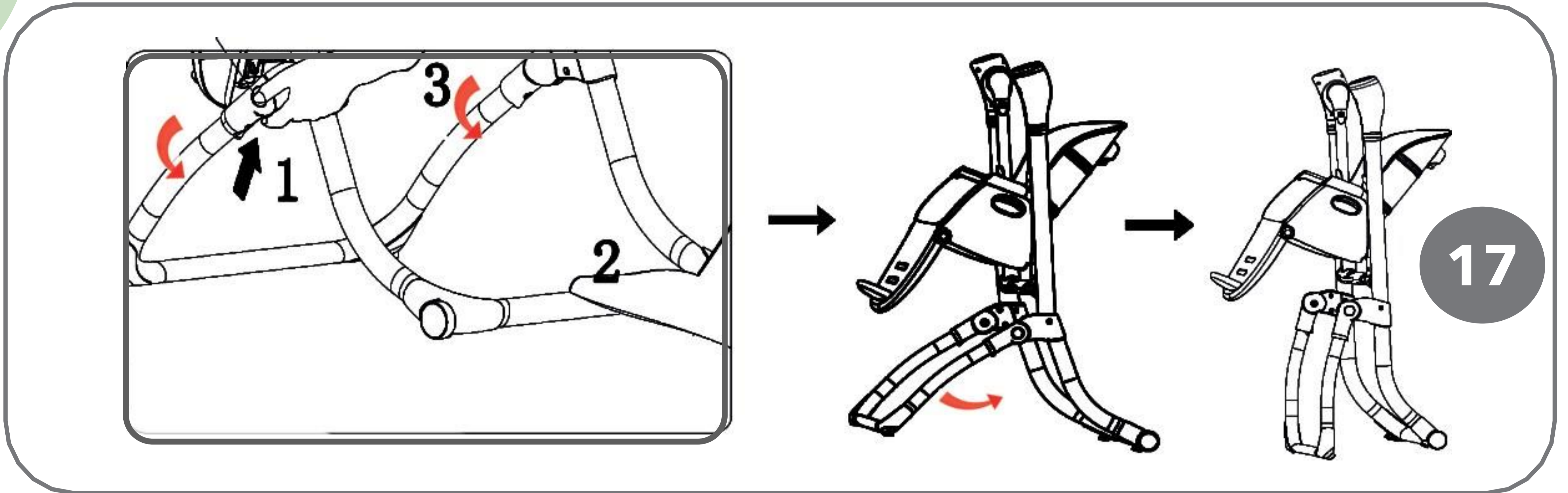


Fig.17 To fold the base, press buttons on front connectors of the base and fold the lower part by moving it to the center .

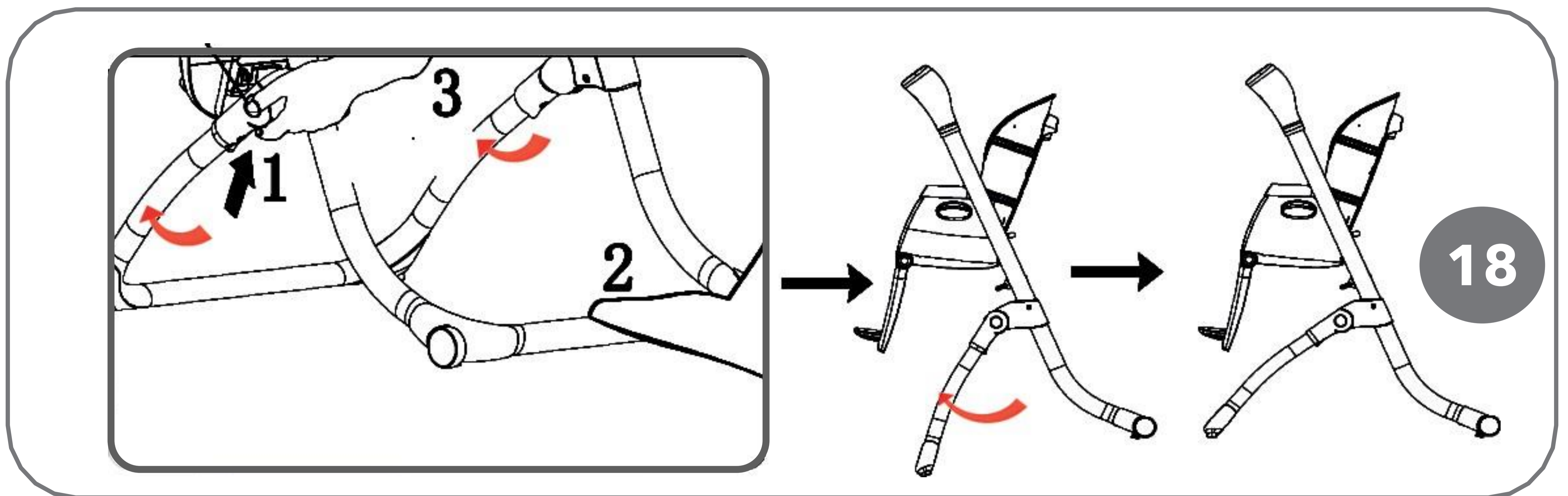


Fig.18 To unfold the base, press buttons on front connectors of the base and unfold the lower part by moving it to the outside.

4. How to use the Product

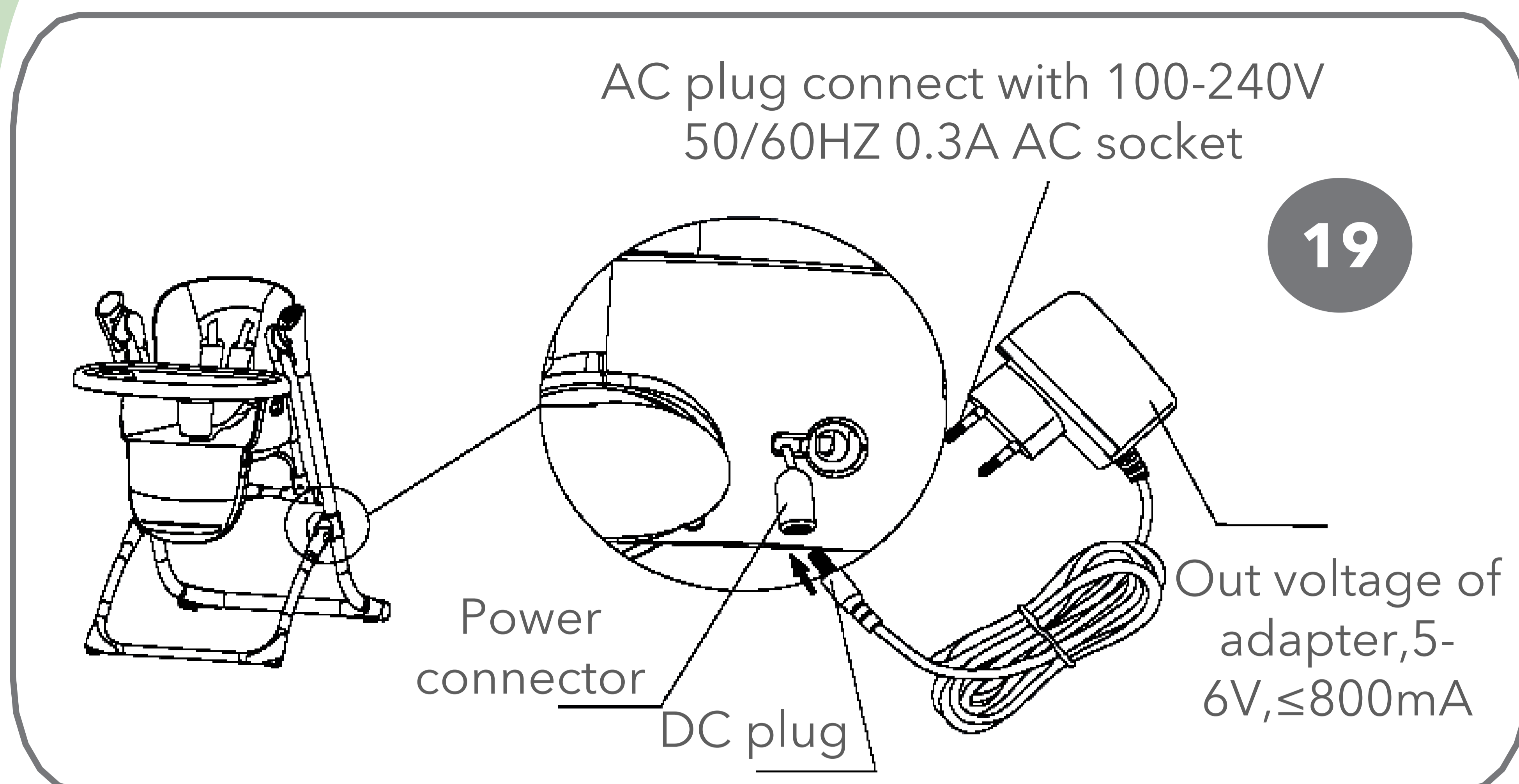


Fig.19-20 NOA swing chair can be provided with power supply in two ways.

Fig.19 Supply through a supplied feeder cable.

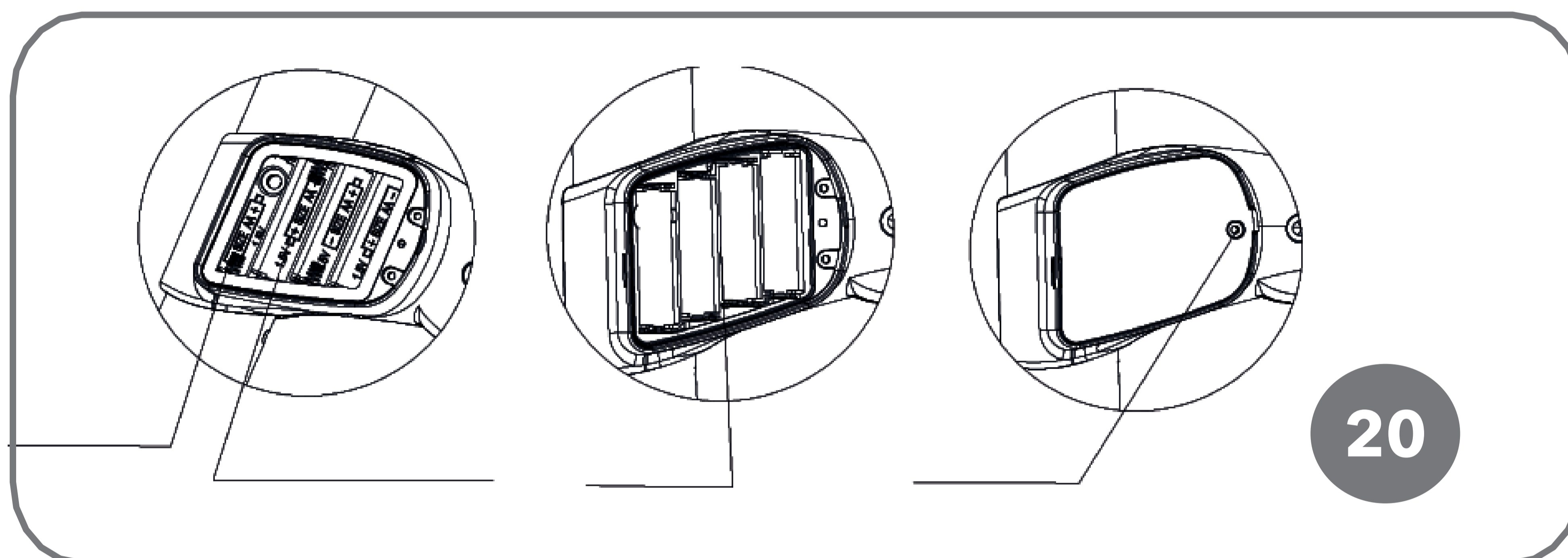


Fig.20 Supply through batteries AA (4 pieces).

WARNING:

- To replace the batteries in the product, remove the battery compartment cover and replace the batteries. Replace the cover.
- Do not charge single-use batteries.
- Only an adult is allowed to charge storage batteries.
- Storage batteries must be removed from the device before charging.
- Do not mix used batteries with new batteries.
- Do not use various types of batteries.
- Place the battery in accordance with proper battery terminals.
- Worn-out batteries must be removed from the device.
- Use the supplied feeder cable only.
- Keep batteries and feeder cable out of reach of children.
- If you do not use the device for a long time, remove the battery and disconnect the feeder cable.
- Transformers used with the infant swing are to be regularly examined for damage to the cord, plug, enclosure and other parts, and in the event of such damage, they shall not be used.
- The infant swing shall only be used with the recommended transformer.

5. Control Panel

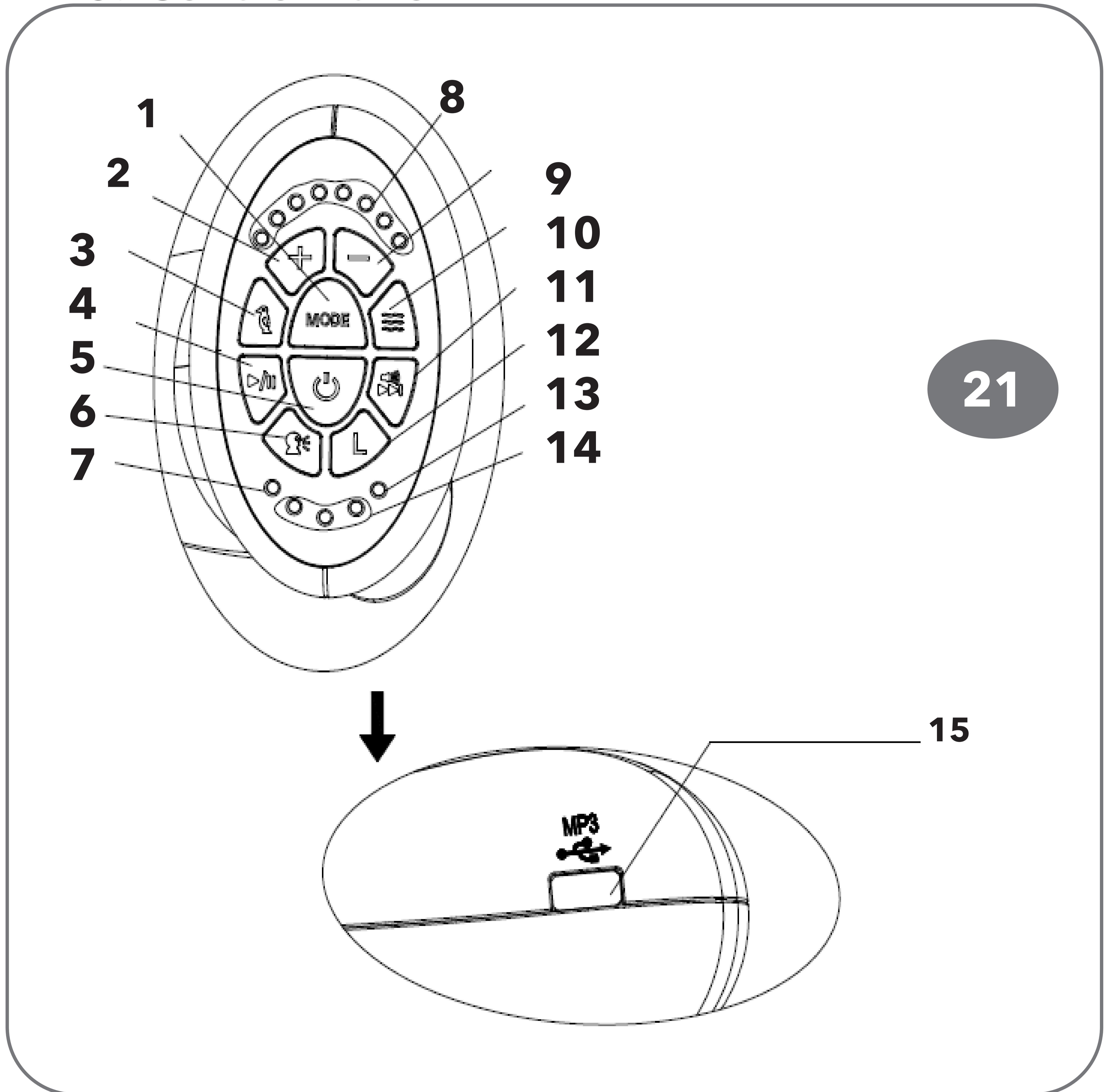


Fig.21 Control panel

1. Mode change
2. Swing speed up
3. Birds sounds
4. Play/ pause music
5. On/ Off switch
6. Voice detection
7. Voice detection indicator
8. Swing speed indicator

9. Swing speed down
10. water sound
11. Next track/ volume Button
12. Timer
13. Power indicator light
14. Timer indicator
15. USB port

5. Control Panel

Rocking mode:

- There are eight rocking speeds available. The current speed is displayed on the 8-LED rocking speed indicator.
- To change rocking speed, press + or -.

Timer:

There are three timer settings. Press once to set 8 minutes, twice to set 15 minutes and three times to set 30 minutes. The device will switch off once the timer setting is reached.

USB port is intended to connect USB with music.

You can control music via **Play/Pause button**, **Next track button**. Press and hold **Next track** button to adjust volume.

Birds sounds and **water sounds** buttons play sound effects. Press the button again to deactivate sounds.

Power switch button, press to operate and the power indicator illuminates. Press the button again to switch off.

Voice detection:

Press the voice detection button to make the rocking chair listen to child's sounds. If two or more subsequent sounds are detected, the rocking chair will start rocking slowly and play average-volume music.

The **mode change button** switches between:

- **Rocking mode** - music is played from the device memory.
- **USB mode** - music is played from the USB carrier.

6. Use of APP function

- You can control the swing via a mobile device.
- You can download "SWING CONTROL" application from Google Play or App Store.
- To **connect the mobile device to the swing**, please proceed as follow :
 - ✓ Connect the swing to the power supply.
 - ✓ Switch the swing function ON.
 - ✓ Activate the mobile device.
 - ✓ Enter the Bluetooth settings in the device
 - ✓ Search Swing-xxx device and connect two devices.
 - ✓ Leave the settings and run Swing Control App.



NOTE The key functions in the mobile App apply to buttons on the control panel.

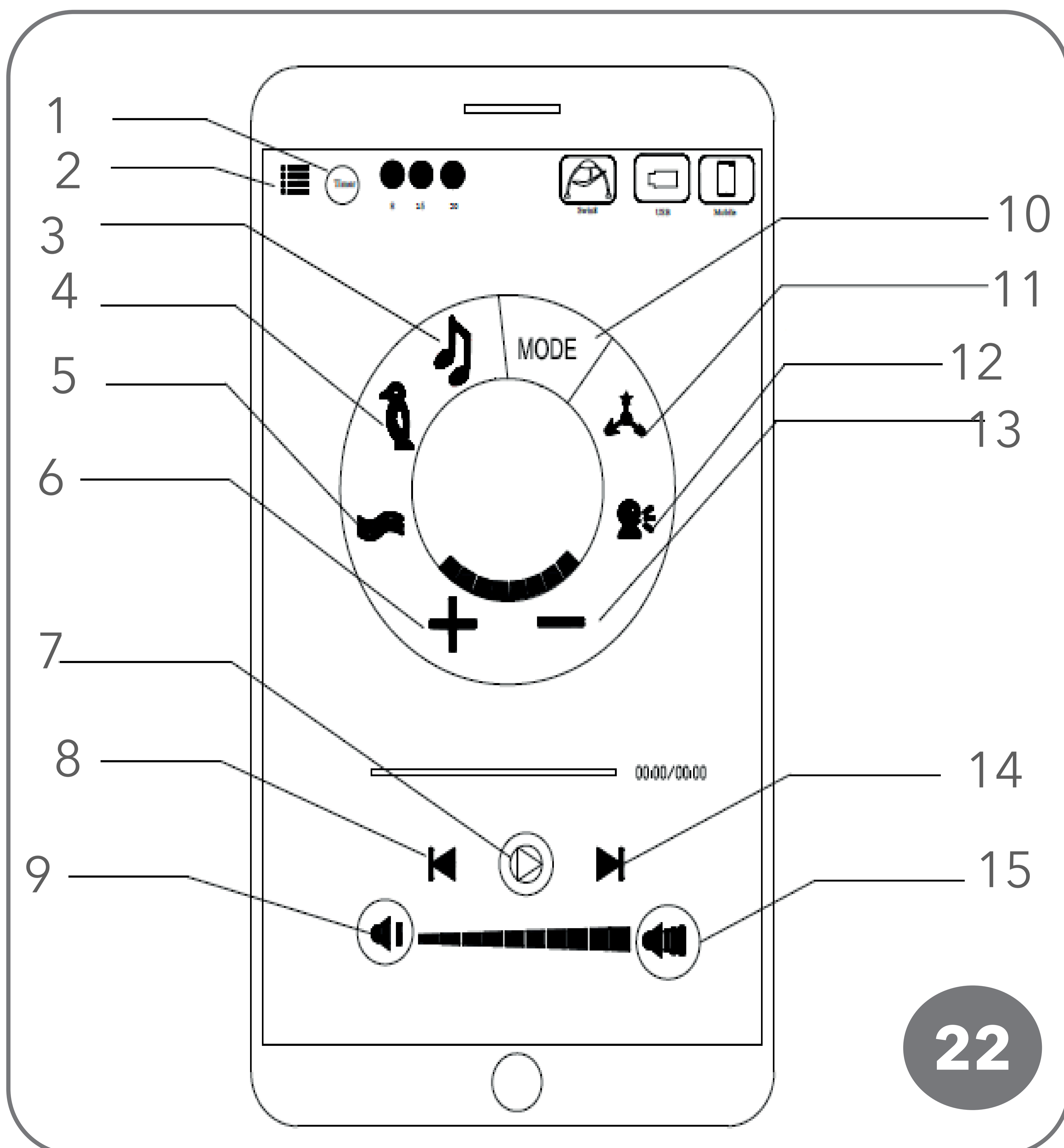


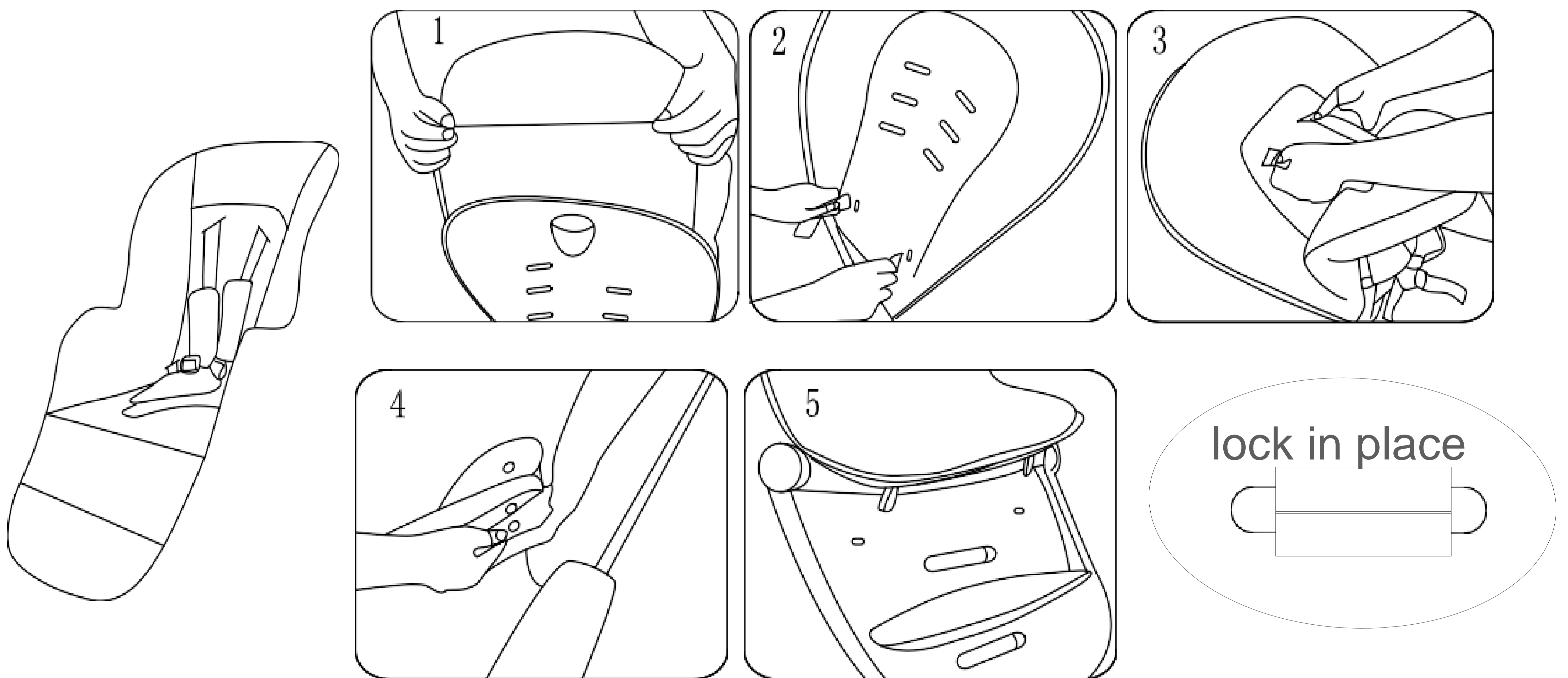
Fig.22 Mobile device app control

1. Timer
2. Music Menu
3. Play/ pause music
4. Bird sound
5. Water sound
6. Swing speed up
7. Music player
8. Previous track
9. Volume down
10. Change mode
11. No function key
12. Voice detection
13. Swing speed down
14. Next track
15. Volume up

7. Maintenance and care

WARNING! Never machine-wash, bleach, dehydrate the products.

- **Seat pad:** Remove from frame. Hand wash with cold water, gentle cycle.
- **Seating cushions** are removable, easy to clean.



No.	Problems that may occur	Solution
1	Suddenly stop when swinging and playing music	Batteries are not be assembled correctly and electricity is not enough
2	No function works after starting	Check whether polarity of batteries are in correct position
3	Not use in long time	Take out the batteries
4	Shaking seriously	Please check whether the closing joint is in place
5	Indicator light becomes weak	electricity is not enough

8. Environmentally friendly disposal

Warning Danger of suffocation! Packaging material is dangerous for children. Never let children play with packaging material.

8.1 Disposal and packaging

The packaging of your unit consists of materials that are necessary to guarantee effective protection during transport. These materials are fully recyclable and therefore reduce the environmental impact. Dispose of the packaging in a bin for recyclable materials.

8.2 Disposal of old equipment

Old appliances must be disposed of in accordance with the guidelines and regulations of the local waste disposal authority. Check with your local administration for the address of the nearest recycling center and deliver your appliance there.



The symbol of the crossed-out dustbin on a Waste electrical or electronic equipment indicates that it must not be disposed of with household waste at the end of its life. Collection points for waste electrical and electronic equipment are available free of charge in your area. You can obtain the addresses from your city or local government. You can find out about other return options created by us on our website

www.fable-kids.com

The separate collection of Waste electrical or electronic equipment is intended to enable the reuse, recycling or other forms of recovery of Waste electrical or electronic equipment and to avoid the negative consequences of disposal on the environment and human health.



EU Declaration of Conformity

We, the

Canbolat Vertriebs GmbH, Gneisenaustraße 10-11, 97074 Würzburg, Germany,

hereby declare that the equipment described below, by virtue of its design and construction and in the versions placed on the market by us, complies with the relevant essential health and safety requirements of the EU directives.

Product name: 2in1 Baby High Chair & Swing

Model number: NOA

EAN: 4252023107808

Should the appliance be modified without our consent, this declaration of conformity will lose its validity.

Directives

This device complies with the following EU/EC directives:

2014/30/ EU EMC Directive

2014/35/ EU Low Voltage Directive

2011/65/ EU RoHS Directive

2014/53/EU Radio Equipment Directive (RED)
(EU)2019/1922

EU Standard/Norms:

EN14988:2017+A1:2020

EN16232:2013+A1:2018

ETSI EN 300 328 V2.1.1: 2016

ETSI EN 301 489-1 V2.1.1: 2017

ETSI EN 301 489-17 V3.1.1: 2017

EN 62479:2010

EN 62115:2015 +A2:2011 + A11:2012 +A12:2015

EN 71-3:2019

EN 71-1:2014+A1:2018

Date/Signature Manufacturer/Place:



Würzburg, Aug 19, 2022

Signature:

Dipl.-Inform. (Univ.) Korhan Canbolat, Managing Director

Representative of these instructions for use/technical data:

Dipl.-Inform. (Univ.) Korhan Canbolat, Managing Director

FableKids

love inspired.



Office address:
Fablekids
Gneisenaustraße 10-11
D-97074 Würzburg

Return address can be found in the imprint: <https://www.fable-kids.com>

VAT identification number: DE 263752326
Court of the Commercial Register is Würzburg, HRB 10082
WEEE Reg.-No. DE 61617071



Office address: FableKids • Gneisenaustraße 10-11 •
97074 Würzburg



Our customer service number:
Tel. +44 (0) 208 068 5604



E-Mail: info@fable-kids.com



Return address can be found in the imprint: <https://www.fable-kids.com>