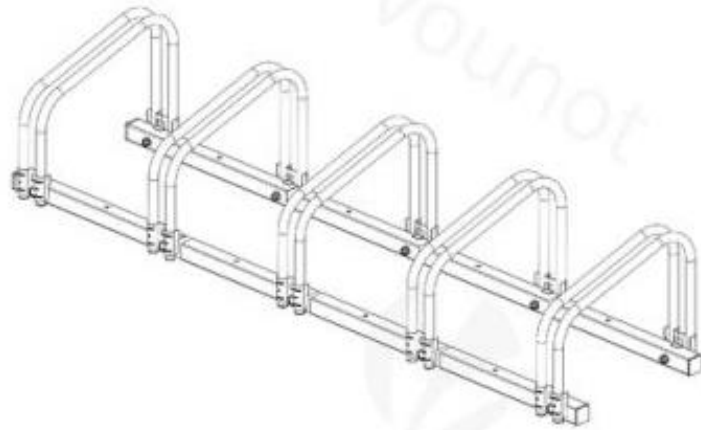


# AREBOS

## Bicycle rack for 5 bicycles

AR-HE-FS5



Please follow all the safety measures in this instruction manual to ensure safe use.

Thank you for your trust in AREBOS.

# Table of contents

<b>1. Safety .....</b>	<b>3</b>
<b>2. Specifications .....</b>	<b>3</b>
<b>3. Scope of delivery.....</b>	<b>3</b>
<b>4. Assembly instruction.....</b>	<b>4</b>
<b>5. Disposal instructions .....</b>	<b>5</b>
4.1 Disposal of packaging .....	5
4.2 Disposal of old equipment.....	5
<b>Imprint.....</b>	<b>6</b>

Please read and keep this guide. Read this user manual carefully before using this product. Protect yourself and others by following all safety instructions, warnings, and precautions. Failure to follow the instructions may result in personal injury and/or property damage.

## 1. Safety

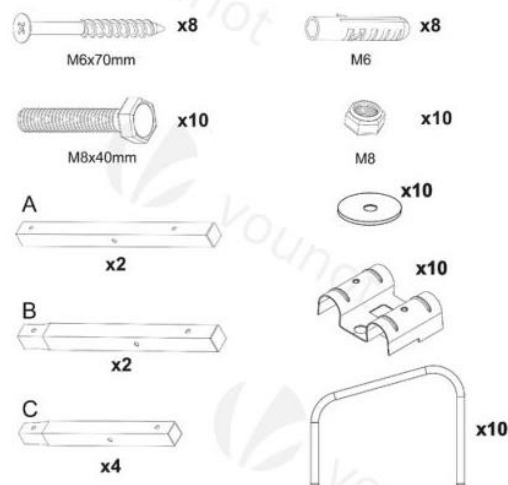
### General safety instructions

- Please read the following instructions carefully before using the item.
- Please keep this instruction manual.
- No liability is accepted for damage caused by improper use or non-observance of these safety instructions.
- Place the bike rack only on a flat surface and use it only as intended for its intended use.
- Do not climb on the bike rack. In case of improper use, there is a risk of breakage of the stand and therefore the risk of injury.
- Be careful when assembling the bike rack.
- Children under the age of 6 are only allowed to use the stand under adult supervision.

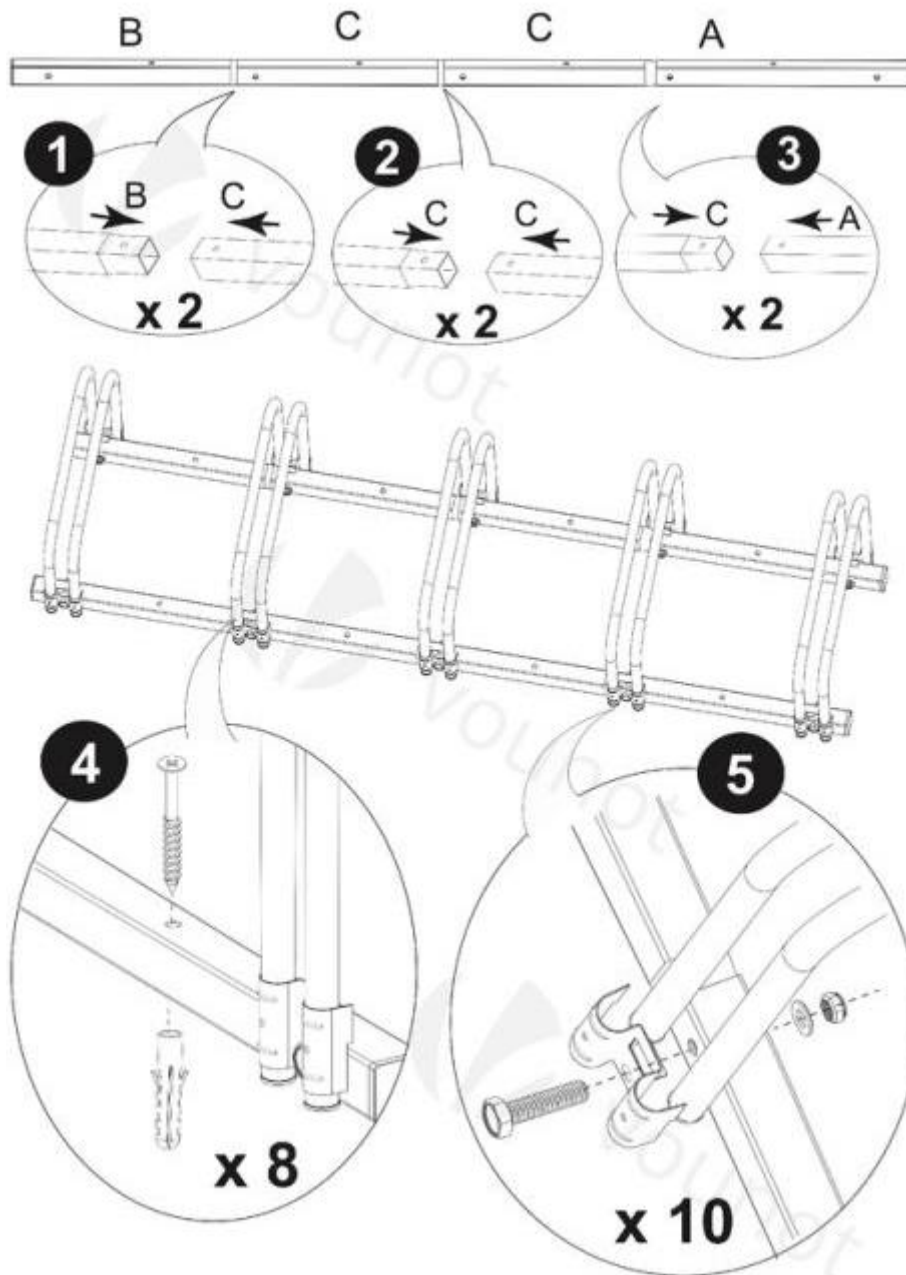
## 2. Specifications

<b>Material</b>	Iron
<b>Metrics</b>	130.5*32*26.5cm
<b>Weight</b>	6.5 kg

## 3. Scope of delivery



## 4. Assembly instruction



## 5. Disposal instructions

### 4.1 Disposal of packaging

- Please observe the guidelines and standards applicable in your region for the proper disposal of packaging. Some of the packaging may consist of plastic bags - make sure that they are not out of the reach of children. There is a risk of suffocation!

### 4.2 Disposal of old equipment

- The equipment must be disposed of in accordance with the rules and regulations of the local waste disposal.
- At the end of the long life of your item, please dispose of the valuable raw materials for proper disposal so that proper recycling can take place. If you are not sure how to proceed, the local waste disposal companies or recycling centres will be happy to help you.

**Our customer service number: +49 (0) 931-45232700**

# Imprint

Name of the product: Bicycle rack for 5 bicycles  
Model No.: AR-HE-FS5  
Item No.: 4252023114011

If this product is altered without our consent, it loses the right to any warranty.

Date/Manufacturer's Signature/Location:

Würzburg, 26.10.2023



Identification of the signatory:  
Korhan Canbolat, Head of the Company

Authorized Representative for Technical Documentation:  
Korhan Canbolat

**Office Address:**  
Canbolat Vertriebs GmbH  
Gneisenaustraße 10-11  
D-97074 Würzburg

The return address can be found in the imprint: <https://www.arebos.de/impressum/>

VAT identification number: DE 263752326 Commercial Register Court Würzburg, HRB 10082WEEE  
Reg.-Nr. DE 61617071