

AREBOS

Motorcycle lift

AR-HE-MH500



Please follow all security measures in this user's manual to ensure a secure use.



Thank you for trusting in AREBOS.

List of contents

1. Safety instructions	3
1.1 Explanation of the symbols	3
1.2 General safety instructions	3
2. Construction	4
3. Operation instructions	5
3.1 General	5
3.2 Elevate the motorcycle.....	5
3.3 Lower the motorcycle	5
4. Technical specifications.....	6
5. Cleaning and maintenance	6
6. Disposal instruction	6
6.1 Disposal of the packaging.....	6
6.2 Disposal of waste equipment.....	6

Please read and save these instructions. Read through this user's manual carefully before using this product. Protect yourself and others by observing all safety information, warnings and cautions. Failure to comply with instructions could result in personal injury and/or damage to product or property. Please retain instructions for future reference.

1. Safety instructions

1.1 Explanation of the symbols



Warning! Danger of crushing hands!



By means of a CE marking, it can be recognized that a product complies with the legal requirements of European legal standards and therefore may be traded within the European Community.



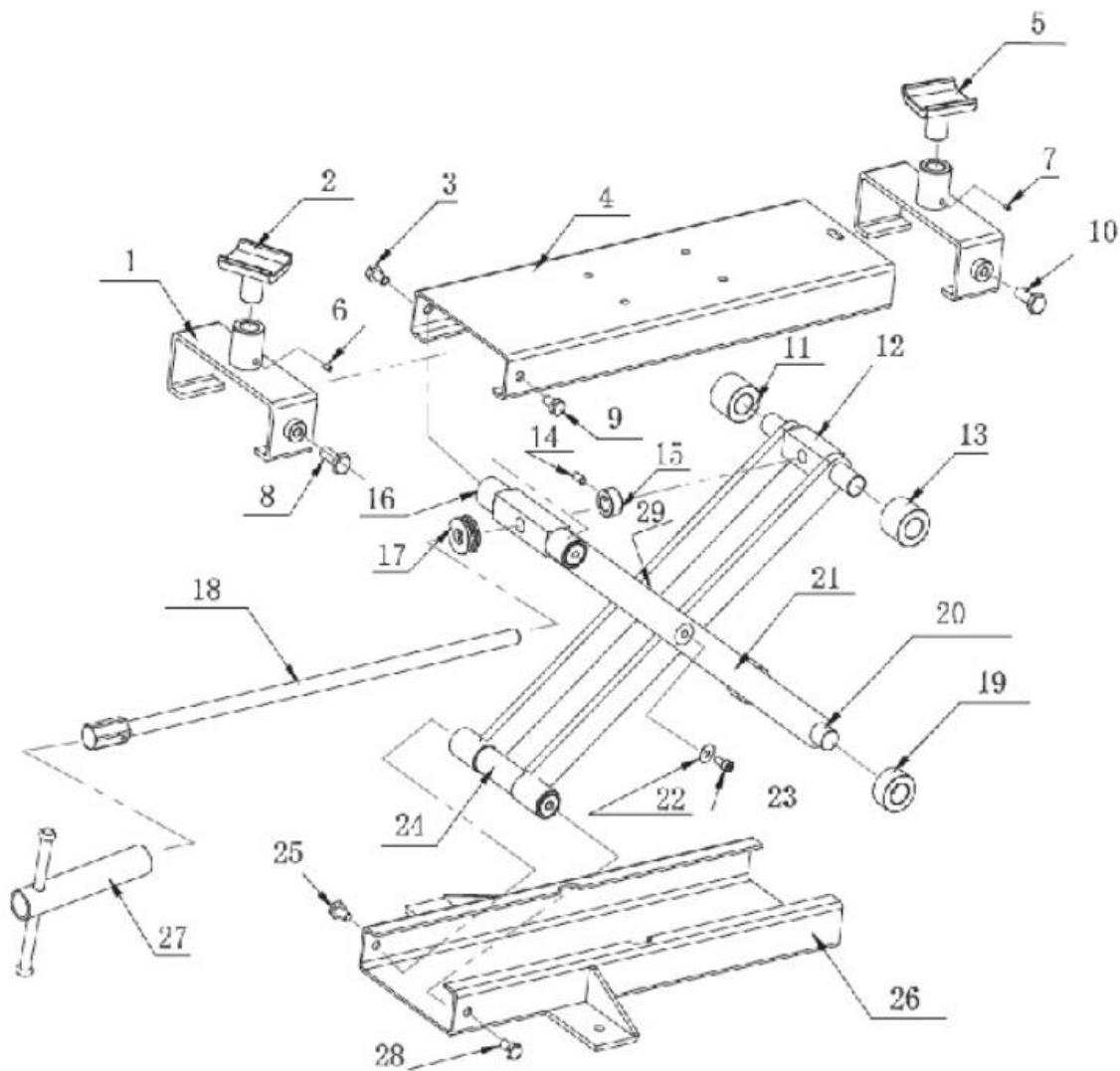
Warning! Read the safety instructions carefully. Failure to follow the safety precautions could result in serious injury or damage. Keep the operating instructions in a safe place.

1.2 General safety instructions

- **Warning!** The instructions referred to in this manual are unable to cover all possible situations that may occur. It must be understood that common sense and caution are factors which are unable to build into this product, but must be applied by the operator.
- **Warning!** This article may only be used on hard and horizontal surfaces.
- Only use the motorcycle lift to lift vehicles within the specified weight limits. The lift may be used to lift vehicles and parts up to a maximum weight of 1102 lbs (500 kg). If overloaded, the lift may be damaged and there is a risk of accident.
- Do not use the motorcycle lift for purposes it is not designed for.
- The motorcycle lift may only be used on firm and horizontal surfaces.
- Keep the motorcycle lift clean for good and safe performance.
- Only use the lift at the recommended points.
- Before lifting, check that there are no overhead obstructions.
- The motor of the motorcycle must not be started when raised.
- Do not allow the lift to be operated by untrained persons.
- Before lowering, make sure that there are no obstacles under the motorcycle.
- Before repair or inspection work on the lifted vehicle, it must be secured against overturning or slipping with suitable lashing straps.
- Keep children and others away from your work area.
- Do not use the lift when people are under or on the vehicle or leaning against the vehicle.

- A check of the device should be made before each use, in order to replace broken components or missing parts in time. The device must be checked immediately by a qualified person if an unexpected error occurs.
- Check the safety belts for right function before each use. Damaged safety belts must be replaced immediately and must never be used to secure the load.
- Do not make any changes to the motorcycle lift.
- Failure to follow these instructions may result in personal injury and/or property damage.

2. Construction



Part No.	Description	Qty	Part No.	Description	Qty
1	Removable guide	2	16	Lifting fixed shaft	1
2	Adjustable shelf	1	17	Bearing	1
3	Bolt M10x25	1	18	Lifting spindle	1
4	Lifting plate	1	19	Below roller (small)	2
5	Adjustable shelf	1	20	Axis	1
6	Bolt M6x12	1	21	Lifting connect rod	4

7	Bolt M6x12	1	22	Washer	2
8	Bolt M8x12	1	23	Inner hexagon screw M6x12	2
9	Bolt M10x25	1	24	Fixed axis	1
10	Bolt M8x12	1	25	Bolt M10x25	1
11	Upper roller (big)	1	26	Base frame	1
12	Lifting shaft	1	27	Wrench	1
13	Upper roller (big)	1	28	Bolt M10x25	1
14	Bolt M6x12	1	29	Washer	2
15	Positioning sleeve	1			

3. Operation instructions

3.1 General

- Place the motorcycle lift on a suitable surface. Keep the area tidy and free of other materials and ensure adequate lighting. Also, make sure the floor is level and firm (preferably concrete) to support the weight of the lift and the bike. Do not operate the lift on asphalt as the surface may be unstable.
- Before lifting, check that there are no overhead obstructions.
- **Warning!** Before use, make sure the bike to be lifted has the proper structure and center of gravity to accommodate the motorcycle.
- Do not use it if the jack damages the exhaust or other vulnerable parts.
- Screw the safety screws into the threaded holes of the base frame until both screws are in firm contact with the ground and the lift can no longer be moved.

3.2 Elevate the motorcycle

- **Lifting, lowering and aligning the lift under the motorcycle must always be done by two persons.** While one person operates the lift, the other person must laterally secure the motorcycle - during the lifting or discharging process - against falling over.
 - Make sure that the lift is in the lowest position. Place the lift under the motorcycle until the two blocks are under the double loop frame. Make sure that no parts of the motorcycle such as hoses, cables, etc. are trapped.
 - Start lifting by operating the spindle drive.
 - Before you work on the motorcycle, it must be secured by straps.

3.3 Lower the motorcycle

- **Lifting, lowering and aligning the lift under the motorcycle must always be done by two persons.** While one person operates the lift, the other person must laterally secure the motorcycle - during the lifting or discharging process - against falling over.
 - Release the straps before lowering.
 - Start lowering by operating the spindle drive. Mit dem Ablassen durch Betätigen des Spindelantriebs beginnen.
 - Before the wheels get in touch with the ground, the second person has to adjust to balancing the motorcycle.
 - If the motorcycle has a firm footing, the lift can be completely lowered.

4. Technical specifications

Model	AR-HE-MH500
Load capacity	Max. 1102 lbs (500 kg)
Total dimensions L x W x H	24.02 x 12.2 x 6.69 in (61 x 31 x 17 cm)
Dimensions base plate	2.17 x 2.17 in (55 x 55 mm)
Height max.	14.76 in (375 mm)
Height min.	3.74 in (95 mm)
Weight	33 lbs (15 kg)
Colour	Red

5. Cleaning and maintenance

- A check of the device should be made before each use, in order to replace broken components or missing parts in time. The device must be checked immediately by a qualified person if an unexpected error occurs.
- Do not use the lift if it is suspected that it has been subjected to unusual loads or shocks.
- It is recommended to have the device checked by a qualified person once a year.
- If the stand is not used, store it in the lowered position.
- Before storage, make sure that all parts are clean and free of grease and oil and that the stand is fully lowered. Store the motorcycle lift in a safe place.

6. Disposal instruction

6.1 Disposal of the packaging

- Please make reference to the guidelines and standards for appropriate disposal of the packaging valid in your region. In part, the package may consist of plastic bags - watch this respect, with special care to ensure that this is not out of the reach of children. There is a risk of suffocation!

6.2 Disposal of waste equipment

- Equipment must be disposed of in accordance with the rules and regulations of the local waste disposal.
- If this product is modified without our consent, it loses the right to any warranty.

Our customer service number: +49 (0) 931-45232700

EU Declaration of Conformity

We, the

Canbolat Vertriebs GmbH, Gneisenaustraße 10-11, 97074 Würzburg, Germany

hereby declare that the devices described in the following comply with the relevant, fundamental safety and health requirements of the EU directives due to their design and construction as well as in the versions marketed by us.

Product name: Arebos Motorcycle lift

Article number: 4260199756690

Model number: AR-HE-MH500

If the device is modified without our consent, this declaration of conformity loses its validity.

Tested according to:

EU-Norm:

EN 1494:2000+A1:2008

EN 12100:2010

EN 349:1993+A1:2008

EN ISO 14120:2015

EN ISO 13857:2008

Machinery Directive: 2006/42/EC

Date/Signature Manufacturer/Location:

Würzburg, 12.07.2019



Signature:

Dipl.-Inform. (Univ.) Korhan Canbolat, Managing Director

Representative of this User Manual/Technical Data:

Dipl.-Inform. (Univ.) Korhan Canbolat, Managing Director

Office address:

Canbolat Vertriebs GmbH

Gneisenaustraße 10-11

97074 Würzburg

You can find the return address in the imprint: <https://www.arebos.de/impressum/>

VAT identification number: DE 263752326

The court of entry in the commercial register is Würzburg, HRB 10082

WEEE-Reg.-Nr. DE 61617071