

AREBOS

Folding Bench (Set of 2)

AR-HE-KB183W/A/S



Please follow all security measures in this user's manual to ensure a secure use.

The drawings in this manual may not match the physical objects. Please refer to the physical objects.

Thank you for trusting in AREBOS.

List of contents

1. Safety instructions	3
2. Technical specifications.....	3
3. Assembly instructions	4
4. Disposal instruction	5
4.1 Disposal of the packaging.....	5
4.2 Disposal of waste equipment.....	5
Imprint.....	6

Please read and save these instructions. Read through this user's manual carefully before

using this product. Protect yourself and others by observing all safety information, warnings and cautions. Failure to comply with instructions could result in personal injury and/or damage to product or property. Please retain instructions for future reference.

1. Safety instructions

General safety instructions

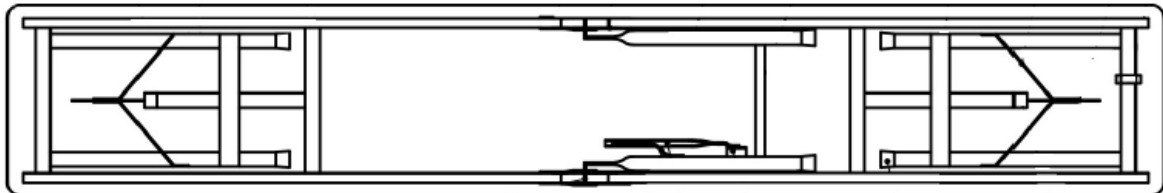
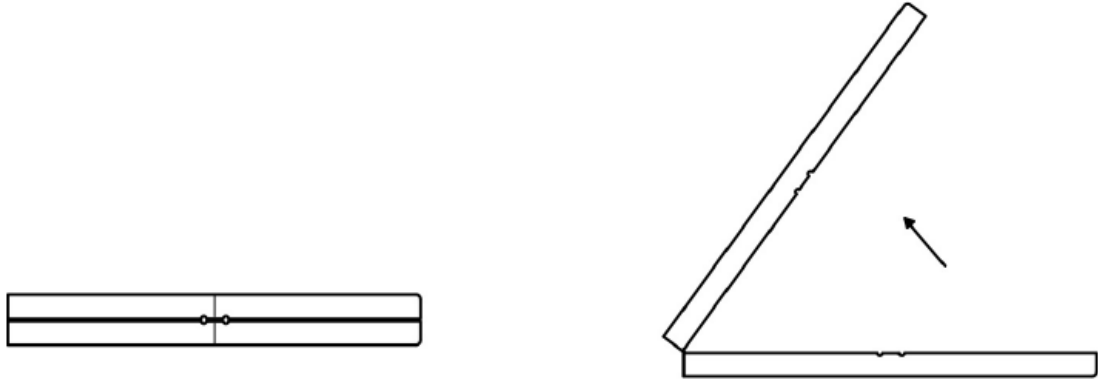
- Please read the following instructions carefully before using the article.
- Please keep these operating instructions.
- No liability is assumed for damage caused by improper use or non-observance of these safety instructions.
- Only place the bench on flat surfaces and use them only as intended for the intended application area.
- Do not jump on the bench. In case of improper use there is a risk of breakage of the bench and therefore risk of injury.
- Be careful when drawing up the bench, especially when the legs are pulled out.
- Please do not expose to rain.
- Not suitable for children under 6 years of age.
- Use only under direct supervision of adults.
- Store in a dry, well ventilated and cool place.

2. Technical specifications

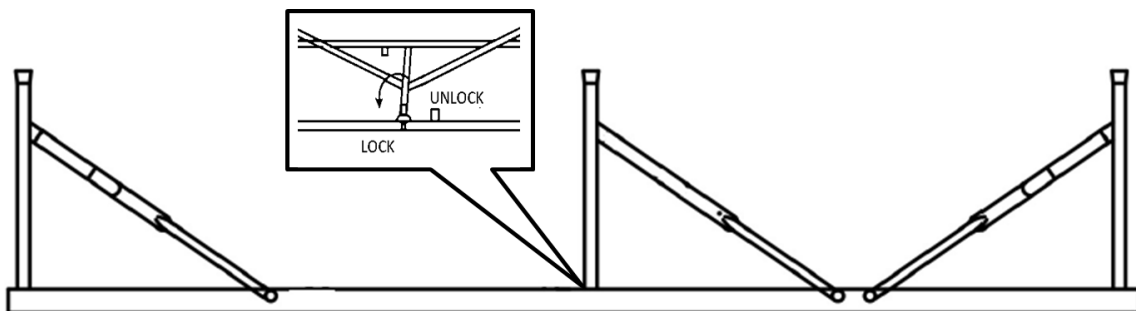
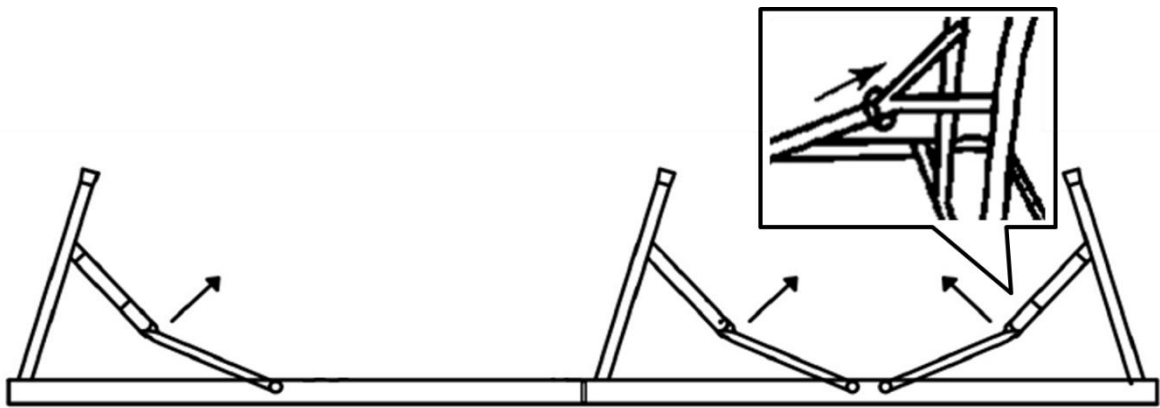
Model	AR-HE-KB183W	AR-HE-KB183A	AR-HE-KB183S
Dimensions (L x W x H)	183*28*43cm	183*28*43cm	183*28*43cm
Max. Capacity per bench	150 KG	150 KG	150 KG
Dimensions folded	91.5*28*8cm	91.5*28*8cm	91.5*28*8cm
Dimensions feet	Dia.22*1.0mm	Dia.22*1.0mm	Dia.22*1.0mm
Material feet	Powder-coated steel	Powder-coated steel	Powder-coated steel
Material bench	HDPE	HDPE	HDPE
Thickness bench top	3.5 cm	3.5 cm	3.8 cm
Net weight (2 pcs)	Ca. 14.5 kg	Ca. 14.5 kg	Ca. 14.5 kg
Colour	White	Anthracite	Rattan - like

3. Assembly instructions

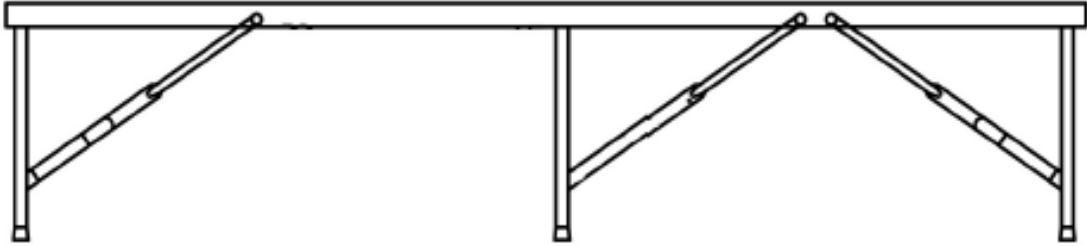
- Remove the ale-benches from the packaging. These are delivered folded up, so please place them face down on a clean, soft surface (such as a blanket and/or rug). Open the folded ale-bench (see pictures).



- Then pull the bench legs vertically up to the stop. Turn the switch to “Lock” position.



- Turn the bench now. Make sure that the bench is on a solid base.



4. Disposal instruction

4.1 Disposal of the packaging

- Please make reference to the guidelines and standards for appropriate disposal of the packaging valid in your region. In part, the package may consist of plastic bags - watch this respect, with special care to ensure that this is not out of the reach of children. There is a risk of suffocation!

4.2 Disposal of waste equipment

- Equipment must be disposed of in accordance with the rules and regulations of the local waste disposal.
- At the end of the long life of your article, please dispose of the valuable raw materials for proper disposal so that proper recycling can take place. If you are not sure how to proceed, the local waste disposal companies or recycling centers are happy to help.

Our customer service number: +49 (0) 931-45232700

Imprint

Name of the product: Folding bench (Set of 2)
Model Nr.: AR-HE-KB183W; AR-HE-KB183A; AR-HE-KB183S
Art. Nr.: 4252023117975; 4252023117999; 4252023117982

If this product is modified without our consent, it loses the right to any warranty.

Date/Manufacturer Signature/Location:

Würzburg, 13.10.2023



Identification of the signatory:
Korhan Canbolat, head of the company

Authorised representative for the technical documentation:
Korhan Canbolat

Office address:
Canbolat Vertriebs GmbH
Gneisenaustraße 10-11
D-97074 Würzburg

Return address can be found in the imprint: <https://www.arebos.de/impressum/>

VAT identification number: DE 263752326
Court of the Commercial Register is Würzburg, HRB 10082
WEEE Reg.-No. DE 61617071

AREBOS

Folding table

AR-HE-KT182W/A/S



Please follow all security measures in this user's manual to ensure a secure use.

The drawings or pictures in this manual may not match the physical objects. Please refer to the physical objects.

Thank you for trusting in AREBOS.

List of contents

1. Safety instructions	3
2. Assembly	4
3. Technical specifications.....	6
4. Cleaning and storage.....	6
5. Disposal instruction	6
5.1 Disposal of the packaging.....	6
5.2 Disposal of waste equipment.....	6
Imprint.....	7

Please read and save these instructions. Read through this user's manual carefully before using this

product. Protect yourself and others by observing all safety information, warnings and cautions. Failure to comply with instructions could result in personal injury and/or damage to product or property. Please retain instructions for future reference.

1. Safety instructions

- **Risk of damage!**

If you open the packaging carelessly with a sharp knife or other pointed objects, the folding table can be quickly damaged.

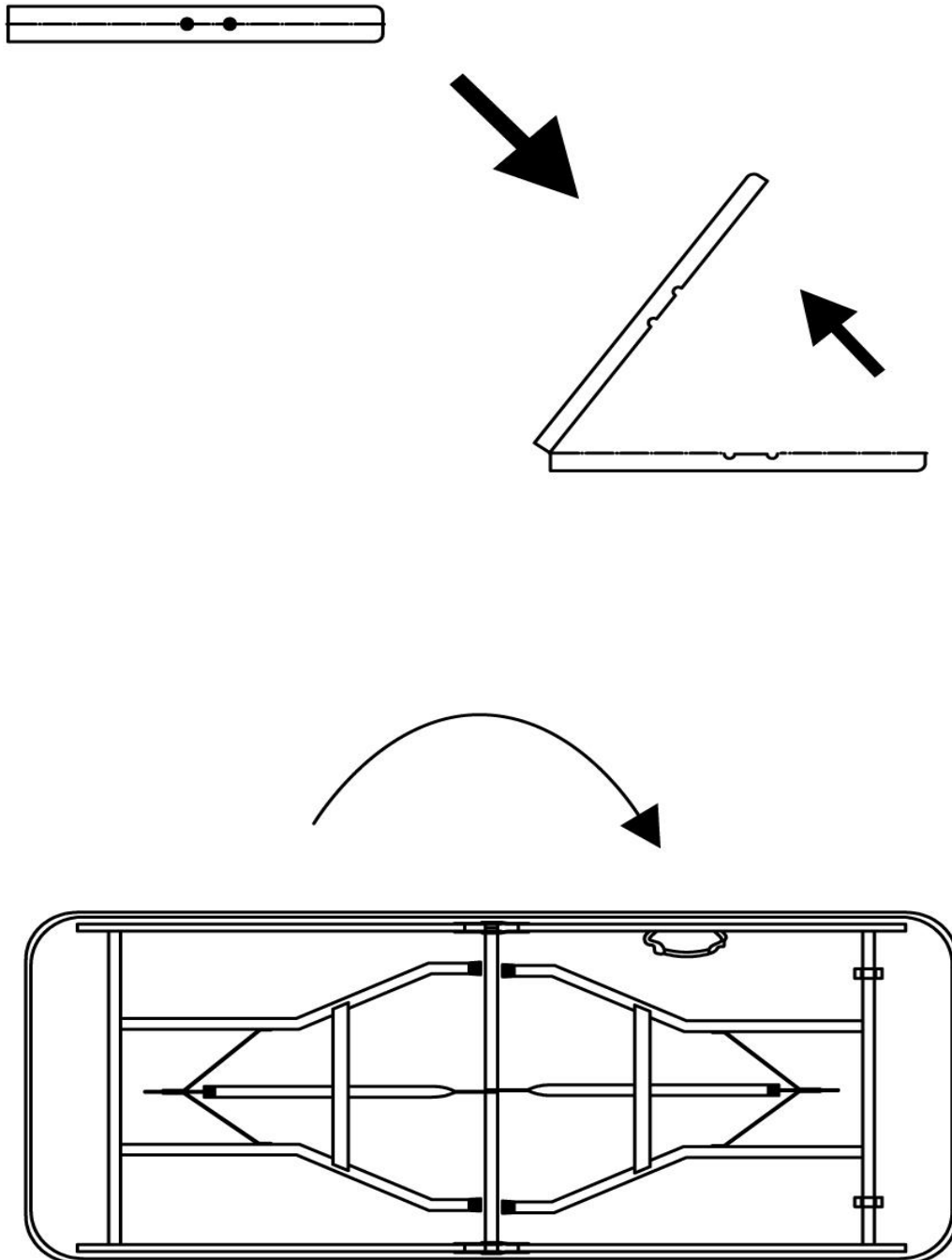
Therefore, be very careful when opening.

- Check whether the delivery is complete.
- Remove the folding table from the packaging and check whether the folding table or the individual parts are damaged. If this is the case, do not use the folding table. Contact the manufacturer.

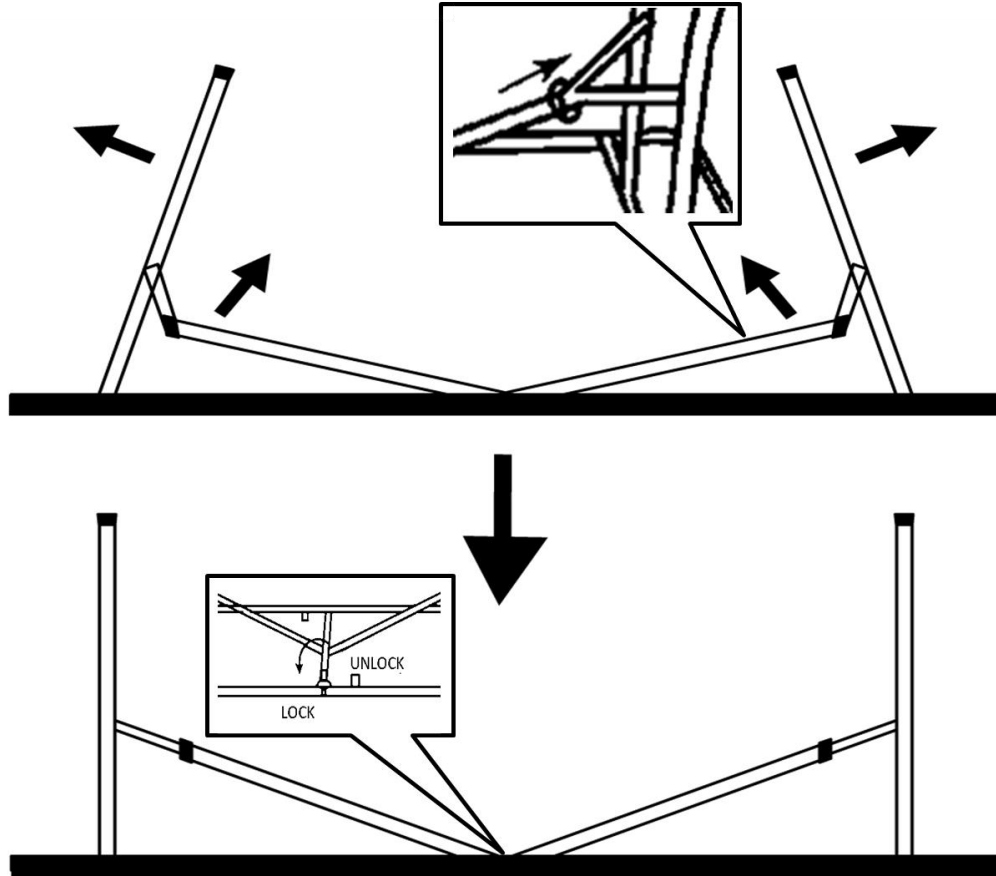
- Please read the following instructions carefully before using the article.
- Please keep these operating instructions.
- Keep children and animals away when opening/closing the folding table.
- The folding table is suitable for use in the garden and living area.
- No liability is assumed for damage caused by improper use or non-observance of these safety instructions.
- The table may only be mounted by adults.
- Never leave a child unattended near the table.
- Please note that this product is intended for private use only.
- Only place the table on flat surfaces and use it only as intended for the intended application area. The table is not suitable as a "seat", "Step ladder" or "standing surface". Do not climb or jump on the table. In case of improper use there is a risk of breakage of the table top and therefore risk of injury.
- Keep all packaging out of the reach of children in order to avoid choking hazards.
- Before use, make sure that all metal locking rings are engaged.
- Do not place high temperature objects directly on the table.
- All components must be kept away from open fire.
- Do not grind the folding table with abrasive objects or products.
- Do not burn the folding table.
- Before use, make sure that the table has a stable stand and stability.

2. Assembly

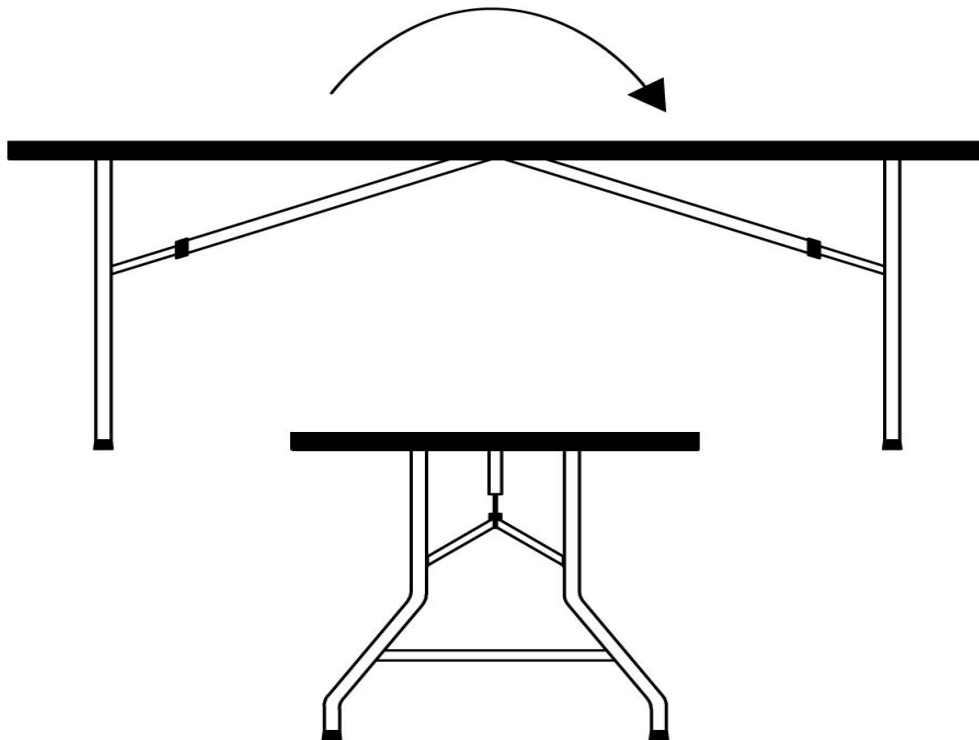
- Remove the folding table from the packaging. This is delivered folded, so please place it with the table top downwards on a clean and soft surface (e.g. a rug and/or carpet), which avoids scratches on the table top. Please expand the table (see pictures).



- Then pull the table legs vertically up to the stop. Switch the table to “lock” position.



- Turn the table now. Make sure that the table is on a solid base.



3. Technical specifications

Model	AR-HE-KT182W	AR-HE-KT182A	AR-HE-KT182S
Load Capacity	150 kg	150 kg	150 KG
Dimensions (L x W x H)	182*74*74cm	182*74*74cm	182*74*74cm
Dimensions (folded)	91*74*8cm	91*74*8cm	91*74*8cm
Dimensions feet	Dia.25*1.0mm	Dia.25*1.0mm	Dia.25*1.0mm
Material / feet	Powder-coated steel	Powder-coated steel	Powder-coated steel
Material / table top	HDPE	HDPE	HDPE
Thickness / table top	3.8CM	3.8CM	3.8CM
Colour (table top)	White	Anthracite	Rattan-like
Net Weight	13 kg	13 kg	13 kg

4. Cleaning and storage

- Protect the folding table from moisture and heat when not in use.
- Surface cleaning only with a sponge and soapy water and then let the table dry. Do not use solvent-containing, alkaline or acidic cleaners. Do not use a steam radiator for cleaning.
- Do not dry directly in the sun.
- Place the table in a protected location in case of bad weather conditions such as storm or hail.
- Clean the table before depositing, let it dry. Store the table in a cool and dry place.

5. Disposal instruction

5.1 Disposal of the packaging

- Please make reference to the guidelines and standards for appropriate disposal of the packaging valid in your region. In part, the package may consist of plastic bags - watch this respect, with special care to ensure that this is not out of the reach of children. There is a risk of suffocation!

5.2 Disposal of waste equipment

- Equipment must be disposed of in accordance with the rules and regulations of the local waste disposal.
- At the end of the long life of your article, please dispose of the valuable raw materials for proper disposal so that proper recycling can take place. If you are not sure how to proceed, the local waste disposal companies or recycling centers are happy to help.

Our customer service number: +49 (0) 931-45232700

Imprint

Name of the product: Folding table

Model Nr.: AR-HE-KT182W; AR-HE-KT182A; AR-HE-KT182S

Art. Nr.: 4252023117944; 4252023117968; 4252023117951

If the product has any modification not allowed by us, this declaration loses its validity.

Date/Manufacturer Signature/Location:

Würzburg, 13.10.2023



Identification of the signatory:

Korhan Canbolat, head of the company

Authorised representative for the technical documentation:

Korhan Canbolat

Office address:

Canbolat Vertriebs GmbH

Gneisenaustraße 10-11

D-97074 Würzburg

Return address can be found in the imprint: <https://www.arebos.de/impressum/>

VAT identification number: DE 263752326

Court of the Commercial Register is Würzburg, HRB 10082

WEEE Reg.-No. DE 61617071