

AREBOS

Floor shower



Follow all the safety precautions in this instruction manual to ensure safe use.

The drawings in this manual may not match the original object.

Thank you for your trust in AREBOS.

Table of contents

General safety instructions	3
Assembly instruction	3
Specifications.....	4
Care	4
Disposal instructions	4
Disposal and packaging	4
Imprint.....	5

Thank you for purchasing our product. Please read the instruction manual carefully before using the product for the first time. If you make the product available to a third party, this instruction manual must be accompanied by



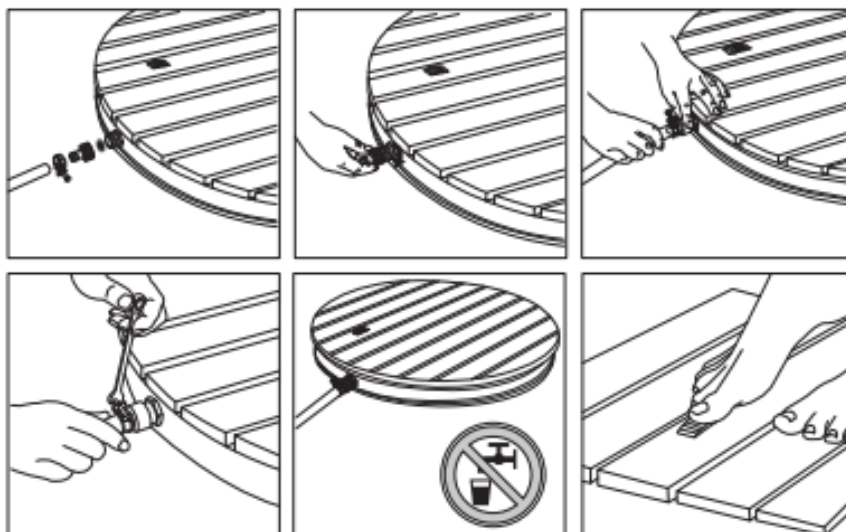
Choking hazard due to plastic bags!
Keep children away!

General safety instructions

- Remove the item completely from the packaging and check it for damage/tears before using it.
- Store packaging parts (foils, plastic bags, polystyrene, etc.) only in places that are not accessible to children, especially infants! Because packaging parts often pose unrecognizable hazards (e.g. risk of suffocation).

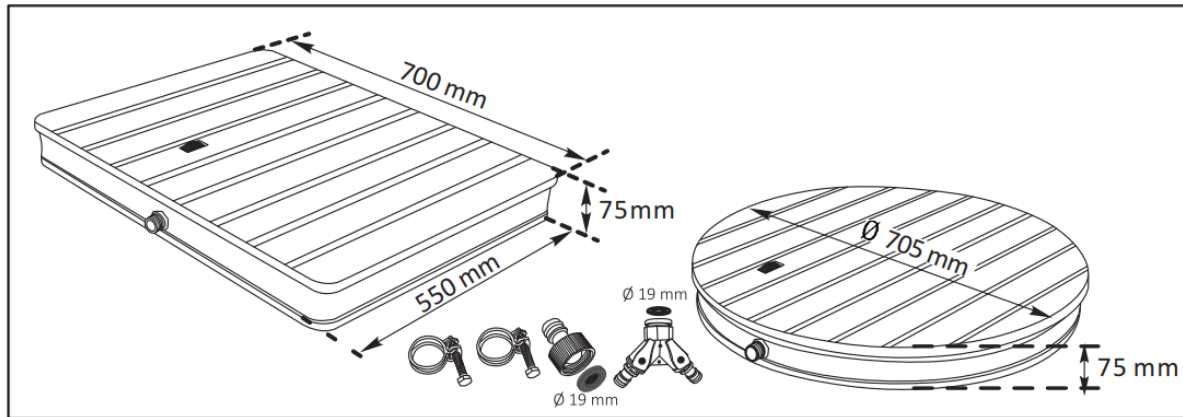
Assembly instruction

1. Set up the floor shower and connect the garden hose with the adapter and metal clamp.
2. Use the supplied adapter and connect it to the intake valve.
3. If necessary, attach the garden hose with the metal clamp.
4. Tighten the metal clamp with the wrench.
5. The floor shower can be flexibly placed anywhere in your garden.
6. Thanks to the built-in bottom wheel, you can not only turn the water jets on and off, but also regulate the height of the water fountain.



Specifications

	4252023117326	4252023117685
Material	Aluminum / WPC	Aluminum / WPC
Product Dimensions	700 mm x 550 mm x 75 mm	705 mm x 75 mm
Form	Angular	Round



Care

For regular cleaning of the floor shower, we recommend a neutral cleaner and a soft brush or cleaning cloth. Detergents should be removed with sufficiently clear water. It is recommended to clean with water and a brush to remove lubricants such as biofilm, leaves, sand, stones or similar.

Disposal instructions

Disposal and packaging

- Please ensure that the packaging is disposed of appropriately in accordance with the guidelines and standards applicable in your region. Some of the packaging may consist of plastic bags - take special care to keep them out of the reach of children. There is a risk of suffocation!

Our customer service number: +49 (0) 931-45232700

Canbolat Vertriebs GmbH • Gneisenastraße 10-11 • 97074 Würzburg

Imprint

Product Name: Floor Shower
Item number: 4252023117326 4252023117685
Model Number: AR-HE-BSCE AR-HE-BSCRA

If the device is modified without our consent, this declaration of conformity loses its validity.

Date/Signature Manufacturer/Location:

Würzburg, 20.12.2023



Signature:
Dipl.-Inform. (Univ.) Korhan Canbolat, Managing Director

Representative of this Instruction Manual/ Technical Data:
Dipl.-Inform. (Univ.) Korhan Canbolat, Managing Director

Office Address:
Canbolat Vertriebs GmbH
Gneisenastraße 10-11
97074 Würzburg

The return address can be found in the imprint: <https://www.arebos.de/impressum/>
VAT identification number: DE 263752326
The court of entry in the commercial register is Würzburg, HRB 10082
WEEE Reg. No. DE 61617071