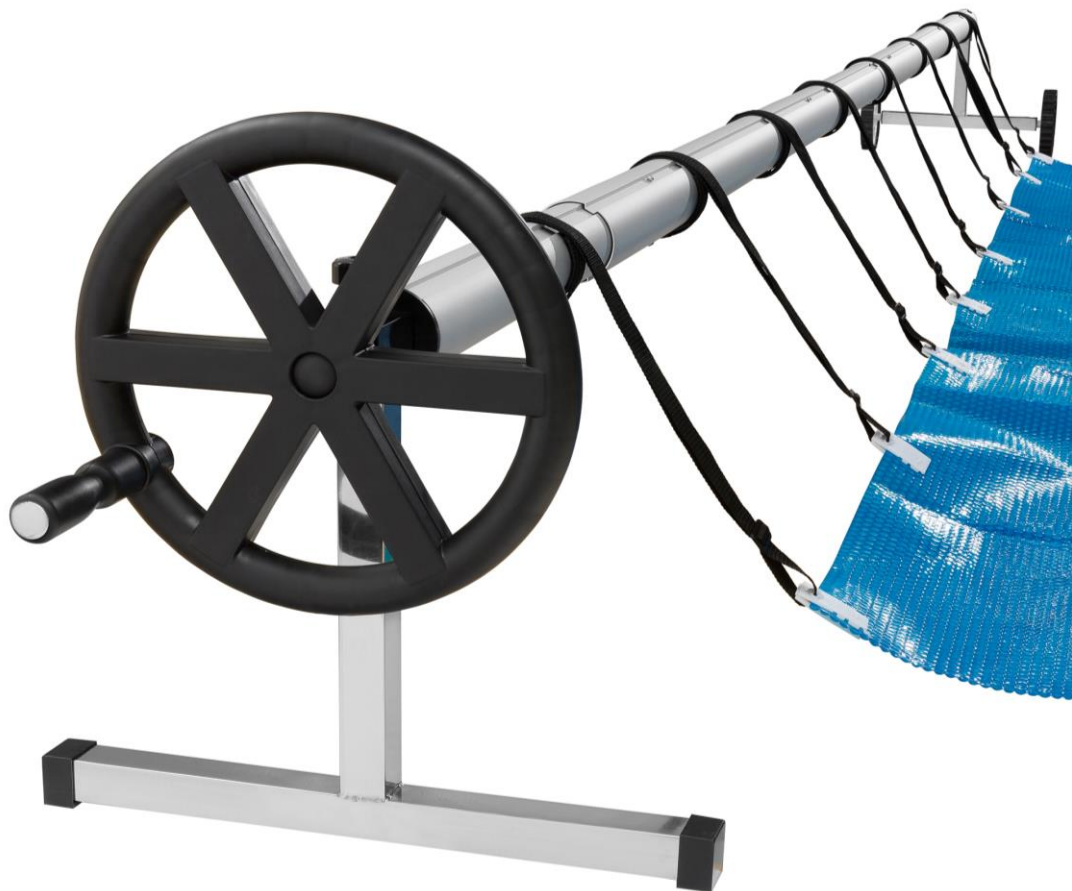


AREBOS

Pool Reel 3m – 5.7m

AR-HE-PA357



Please follow all security measures in this user's manual to ensure a secure use.

Thank you for trusting in AREBOS.

List of Contents

1. Safety instructions	3
1.1 Explanation of symbols	3
1.2. Safety instructions	3
2. Technical Specifications.....	3
3. Parts List	4
4. Assembly.....	6
5. Environmentally friendly disposal	14
3.1 Disposal and packaging	14
3.2 Disposal of old equipment	14
Imprint	15

Thank you for purchasing our product. Please read the operating instructions carefully before using the product for the first time. If you give the product to a third party, this manual must be handed over with it. Keep the instruction manual for future reference. The drawings in this manual may not match the physical objects. Please refer to the physical objects.

1. Safety instructions

1.1 Explanation of symbols



Warning! Read the safety instructions carefully. Failure to follow the safety precautions could result in serious injury or damage. Keep the operating instructions in a safe place.

Warning! Danger of crushing hands!

1.2. Safety instructions

- The device works best when installed directly on the pool edge, where it copies the ideal direction of rewinding. In this way, the tarpaulin can't be damaged by the edge of the swimming pool.
- Incorrect placement of the rewinding device could seriously damage the tarpaulin!
- The pool cover reel and solar cover should be washed regularly with clean water to prevent build-up of chemical contaminants.
- For winter storage, the pool retractor should be stored in a dry place
- When rolling up and unrolling the cover, always keep an eye on the pool.
- The cover should be rolled up by a responsible (authorized) adult.
- Do not put your hand in the pool cover reel.

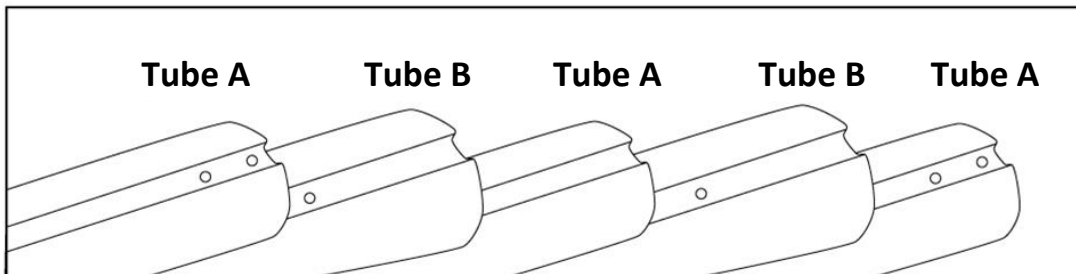
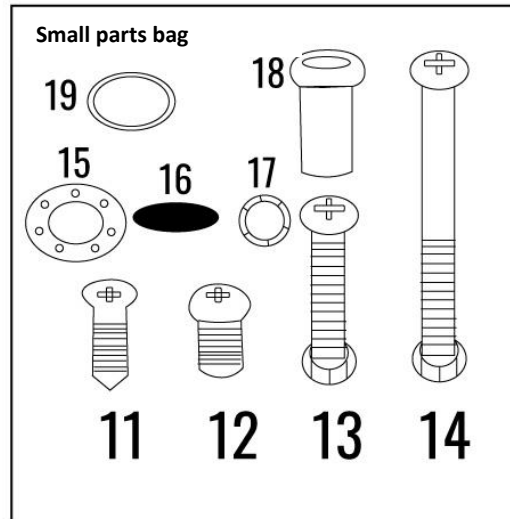
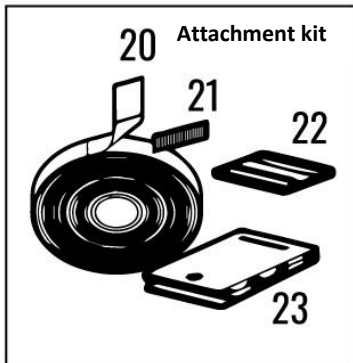
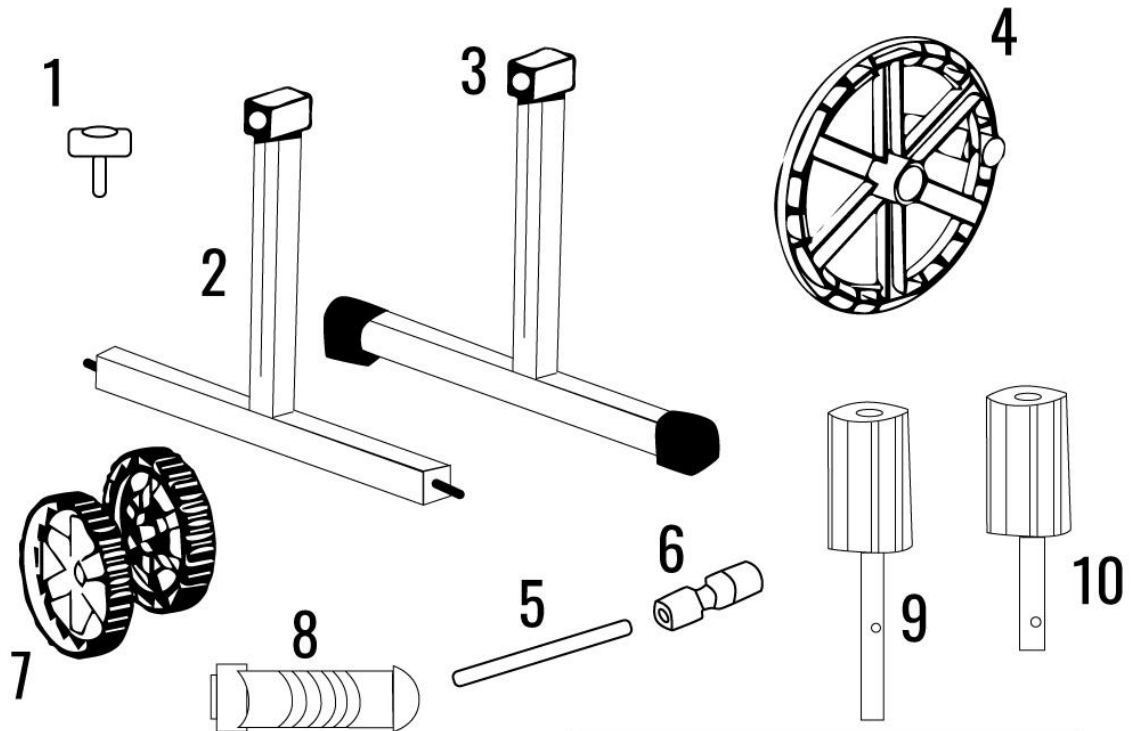
2. Technical Specifications

Model	AR-HE-PA357
Length	9.84 ft up to 16.4 ft (3 – 5.70 m)
Diameter tube	2.95/3.15 in (75/80 mm)
Material thickness tube	0.0551 in (1.4 mm)
Material tube	Aluminium
Material mounting stand	Plastic
Weight	29.8 lbs (13.5 kg)

3. Parts List

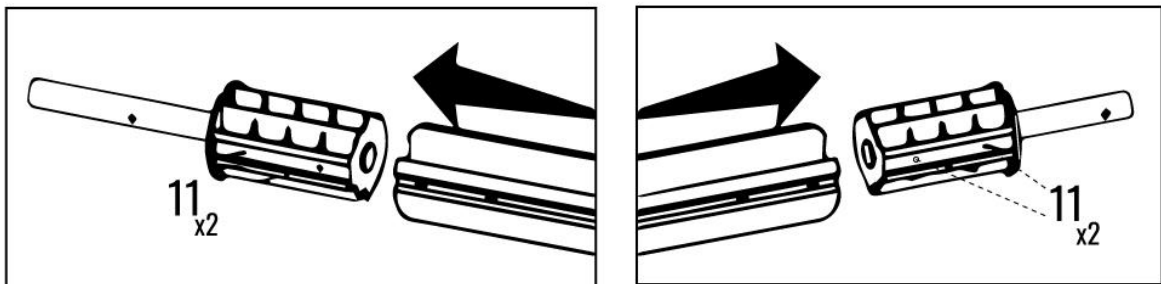
Number	Designation	Quantity
1	Threaded knob	1
2	Frame	1
3	Frame	1
4	Crank wheel	1
5	Shaft	1
6	Handle	1
7	Wheels	2
8	Grip	1
9	Long hub	1
10	Short hub	1
11	Self tapping screw	4
12	Flat headed screw	12
13	Screw and nut (short)	1
14	Screw and nut (long)	1
15	Wheel lock washer	2
16	Cap	2
17	Lock cap	1
18	Jig	1
19	Washer	1
20	Strap	8
21	Male Velcro sticker	8
22	Buckle	8
23	Cover clip	8





4. Assembly

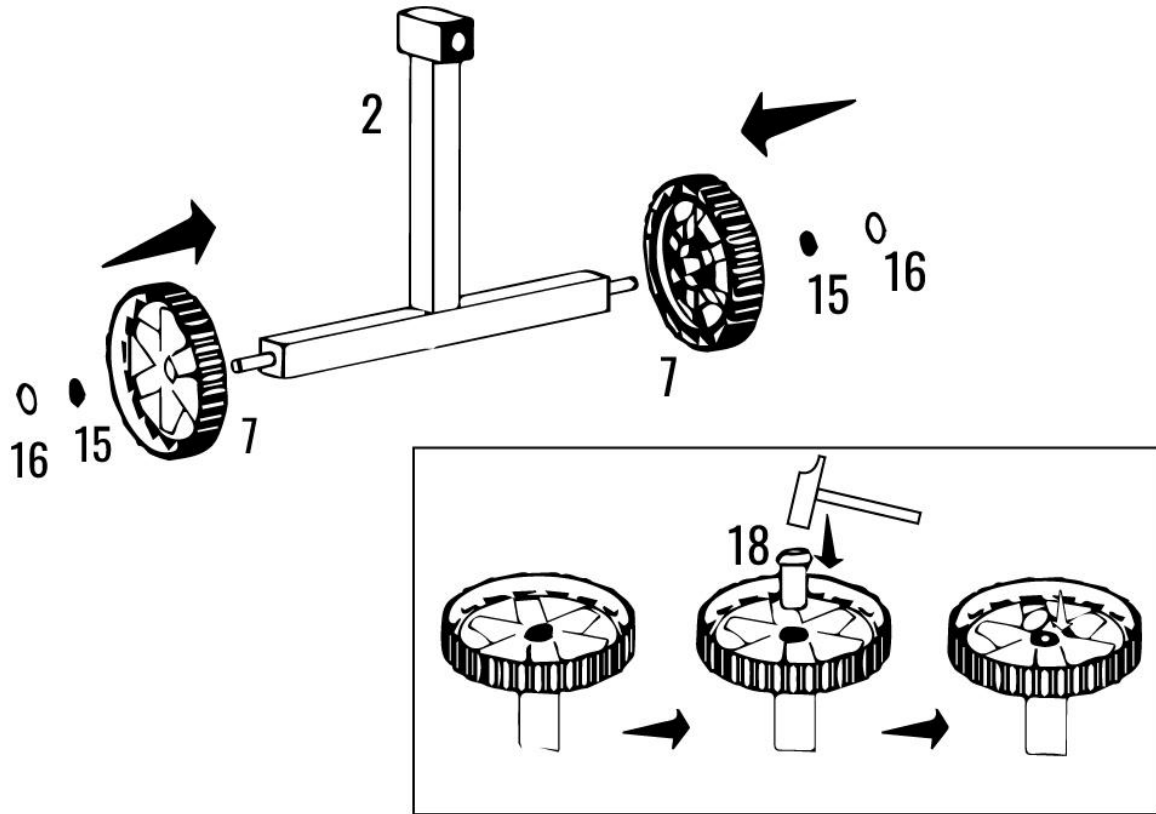
1. Align the groove of the short hub "10" with pre-drilled holes on the tube A, and insert them into one end of tube A. Secure the assembly with two self-tapping screws "11". Repeat the operation by placing the long hub "9" in one end of tube B and secure it with two screws "11" as well.



2. Slide the wheel "7" on the axis of the frame "2" and align the centre of wheel lock washer "15" to the axis. Use the jig "18" and a hammer (not included) to lock the wheel lock washer "15" to the axis. Snap the cap "16" onto the wheel "7".

Make sure both wheels are secured under the wheel lock washer "15" and rolling smoothly before next step.

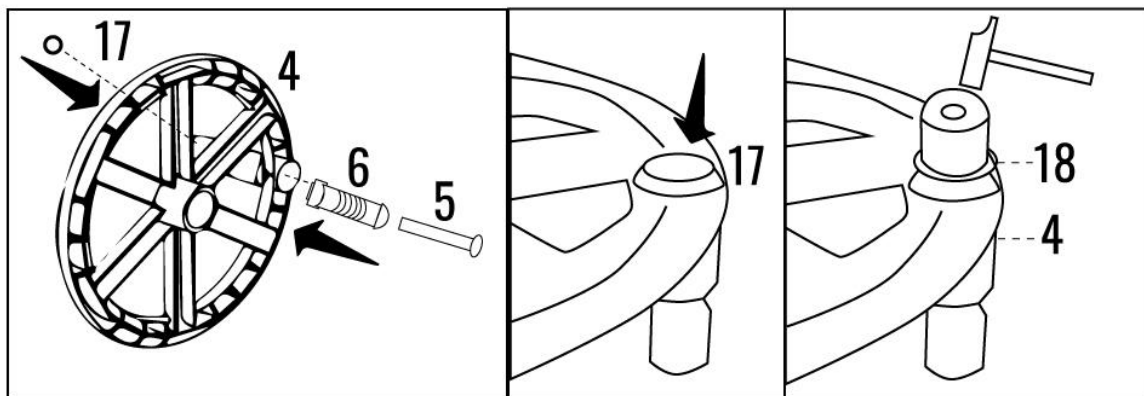
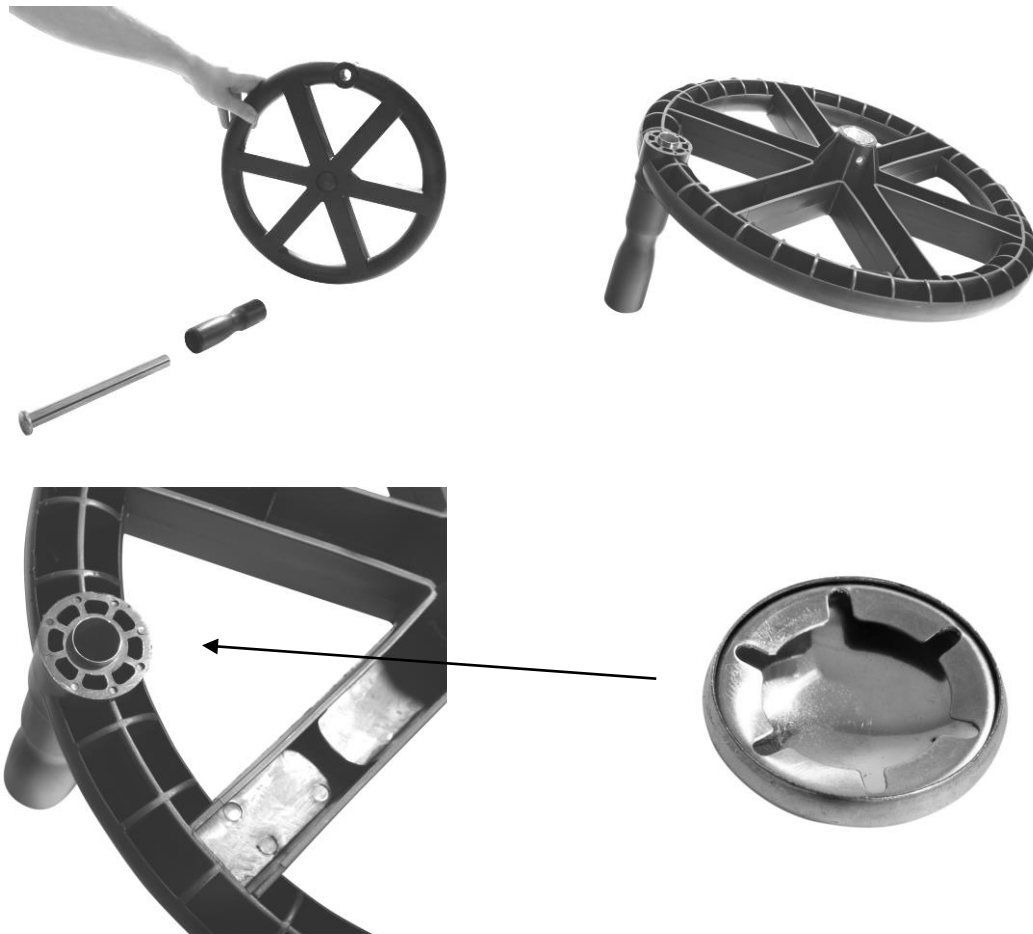




Knock the retaining ring with a hammer and the supplied tool onto the wheel carrier. Then the black cover cap has to be put on.

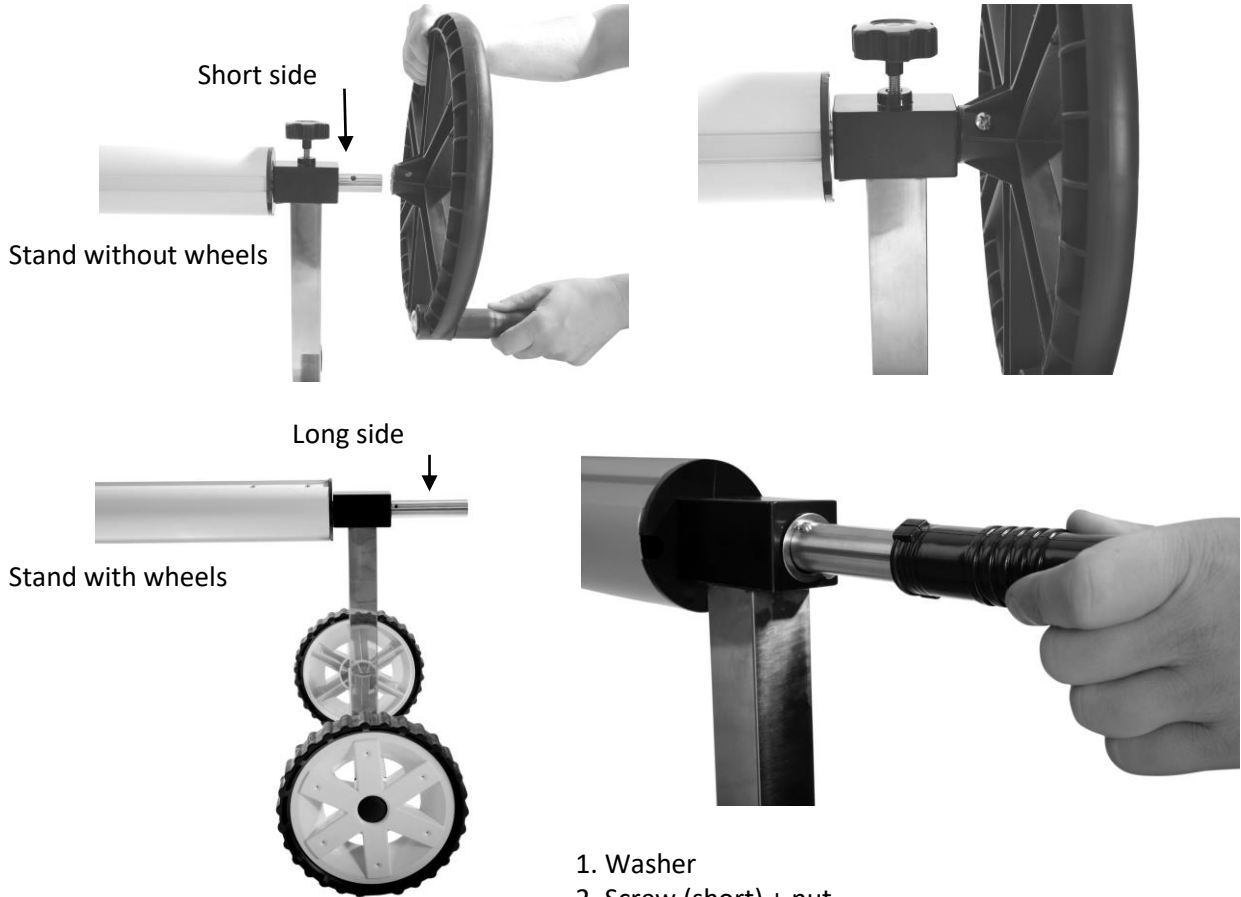


3. Insert the shaft "5" to the bigger hole of handle "6", and then through the hole of the crank wheel "4". Put the lock cap "17" on the top of the shaft "5". Cover the lock cap by the jig "18". Hold the whole assembly securely and use a hammer (not included) to hammer the dig "18". Make sure the lock cap "17" is secure in the shaft "5".

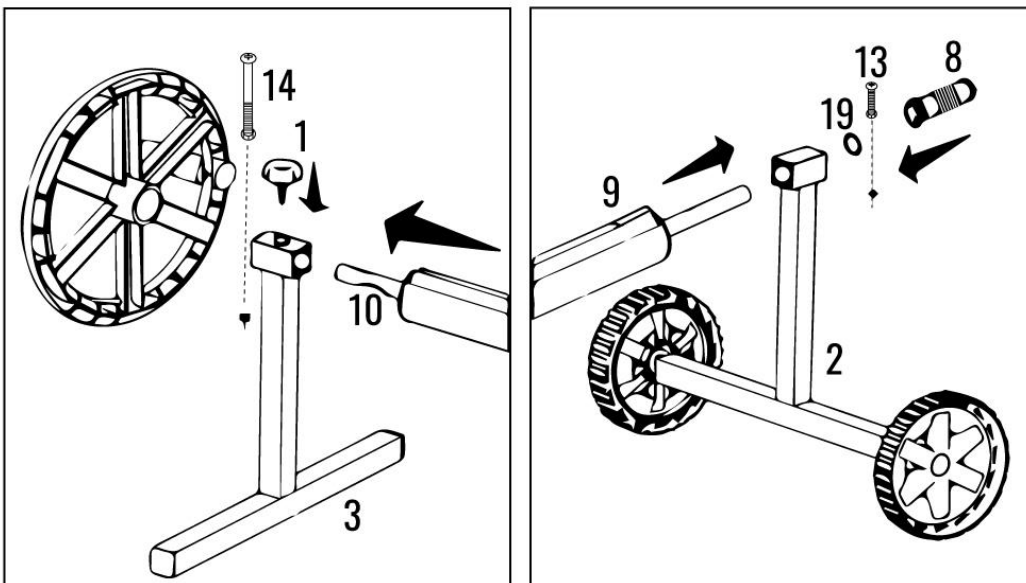


4. Assemble the short hub "10" on the frame "3" without wheels and slide the crank wheel "4" with handle onto the hub handle. Secure the assembly with the long screw and nut "14". With the threaded knob "1" on the top of frame "3" you can lock the reel and crank wheel in position.

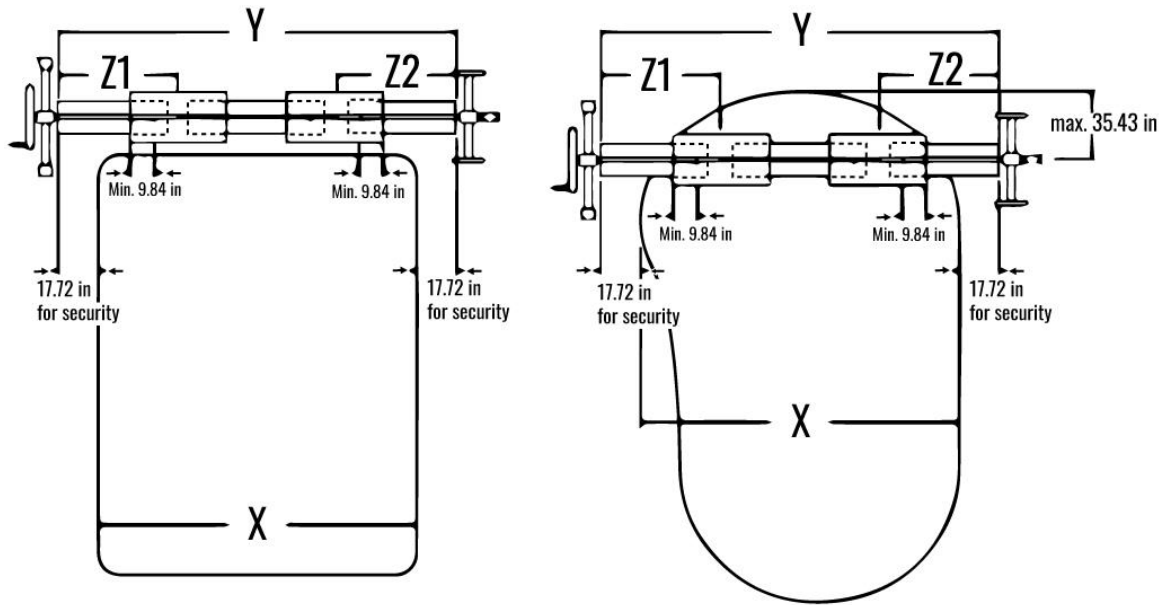
Assemble the long hub "9" on the other frame "2", place the washer "19" behind the frame and secure the assembly with the short screw and nut "13". Slide the grip "8" onto the hub.



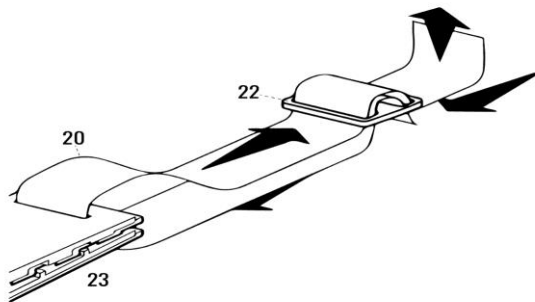
1. Washer
2. Screw (short) + nut
3. Grip



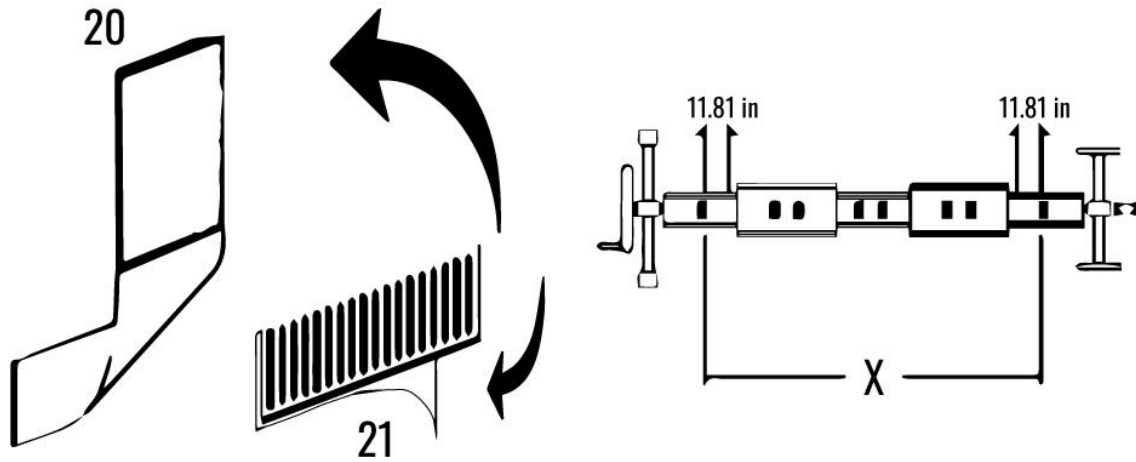
5. Measure the longest width of your pool (from the inside edge) =X
Insert the tube A into the tube B, and slide them until you have the required size Y.
Ensure that the tube B is exactly centered so that Z1 and Z2 are equal.
Also ensure that there is a minimum tube overlapping of 17.7 in (45cm) for security. The biggest circular hole on each inner tube just represents the 17.7 in (45 cm) overlapping.



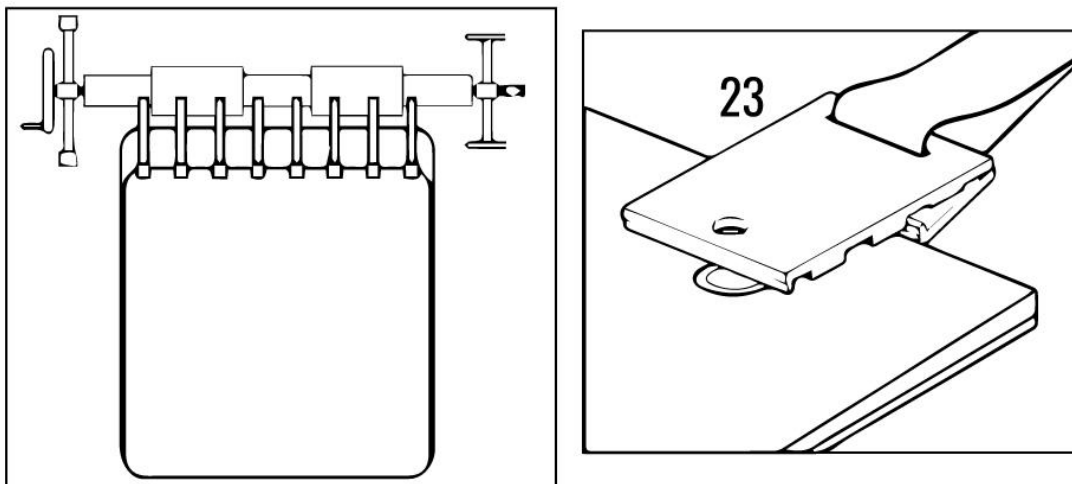
6. Mount the Velcro strap “20” on the buckles “22” and the cover clips “23” as shown in the picture. Do not click the clip yet!



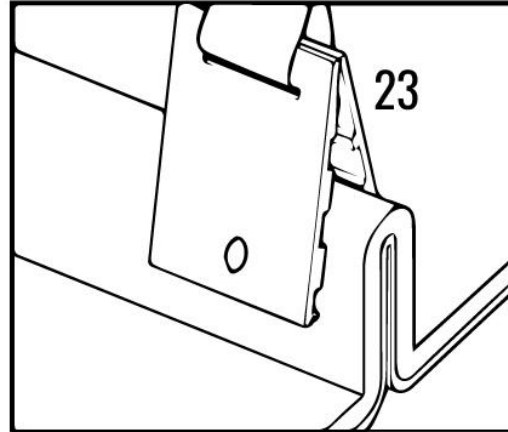
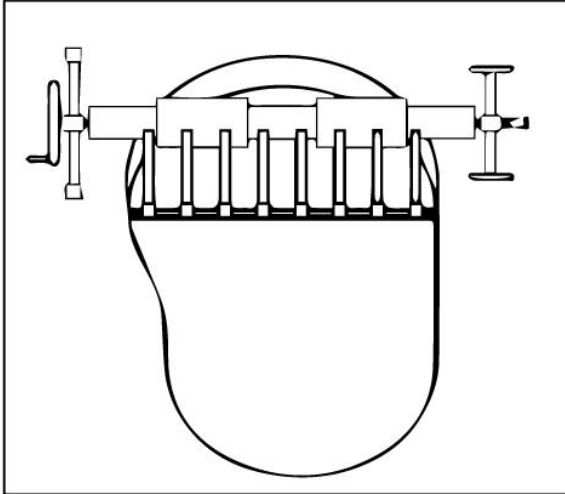
7. Detach the eight male velcro stickers "21" from the straps "20". Peel off the protective layer and glue them on the tubes in a straight line at equal distance over the length X as shown. The straps are required to be placed at least 11.8 in (30 cm) away from the both tube ends for security.



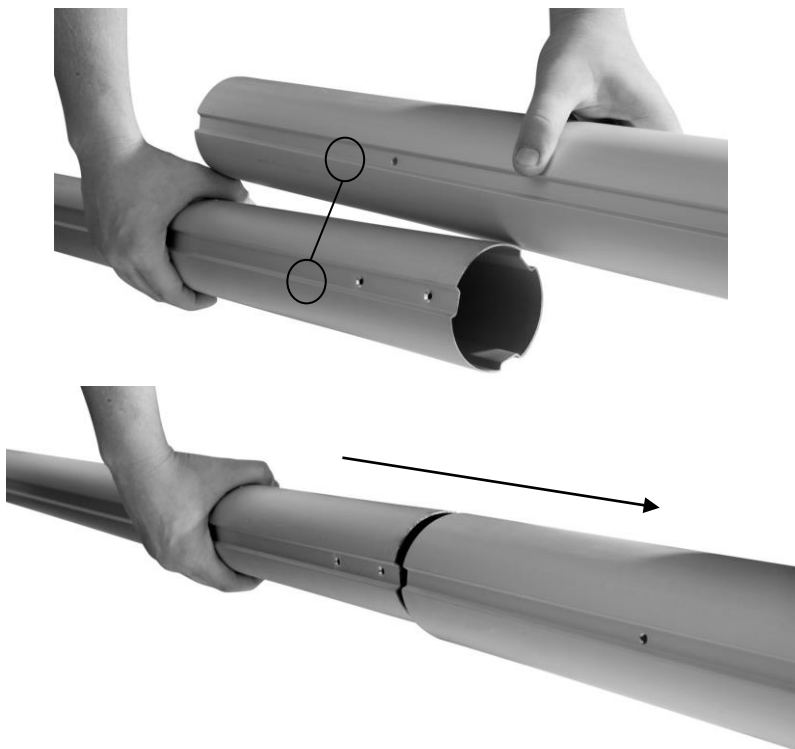
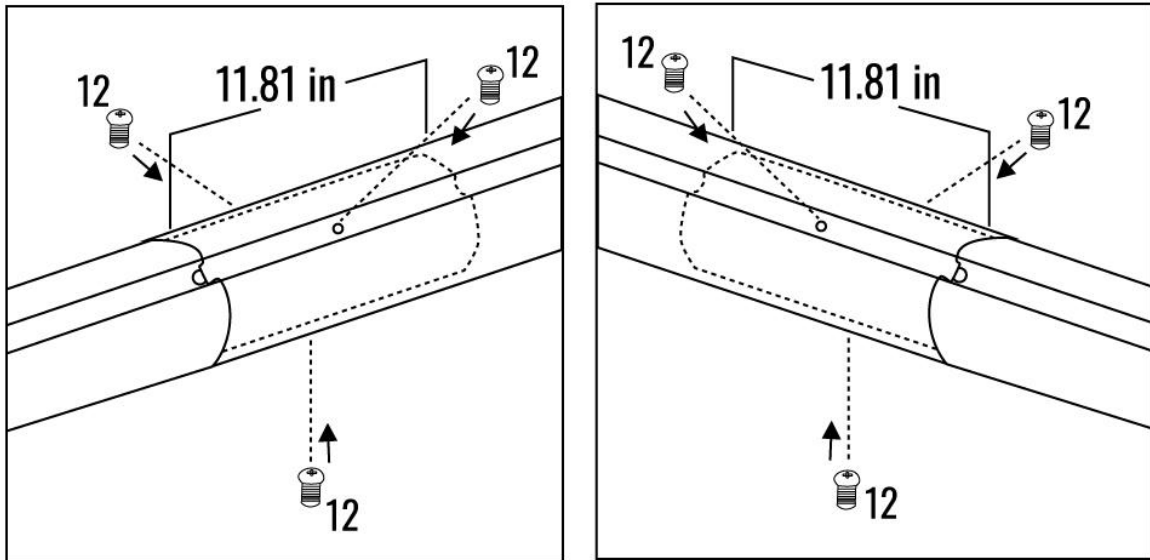
8. For rectangular above-ground pools
Open the cover over the pool and bring it into position. Attach "23" to the cover, keeping the same regular distances as the Velcro stickers on the tubes (see picture). Make sure that the length of the Velcro strip allows the cover to lie flat on the pool so that no wind can get under the cover.



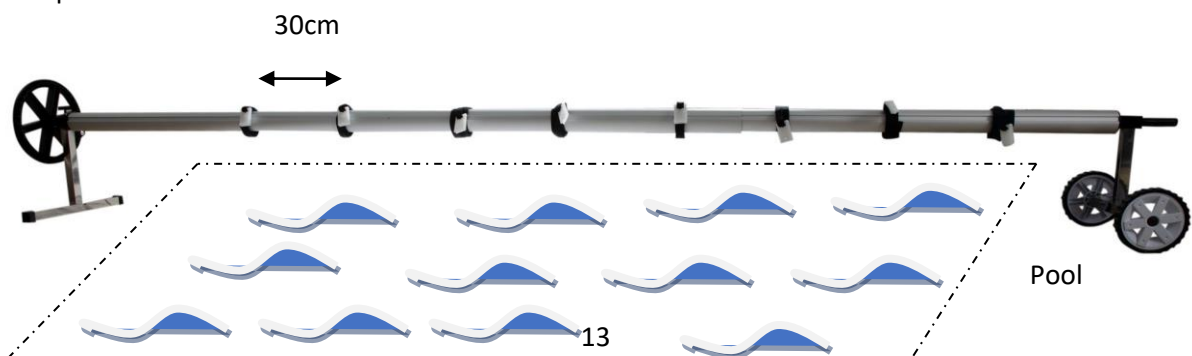
9. For round or oval shaped above ground pools
Open cover over the pool and pinch it as shown in the picture. Attach "23" on the cover, keeping the same regular intervals as the male velcro stickers on the tubes. Ensure that the length of the straps allows the cover to lay flat on the pool, to prevent wind from getting under the cover.



10. Fasten the three screws "12" in the pre-drilled holes at each side of the tube B to secure the assembly.



Example short version:



5. Environmentally friendly disposal

Warning Danger of suffocation! Packaging material is dangerous for children. Never let children play with packaging material.

5.1 Disposal and packaging

- The packaging of your unit consists of materials that are necessary to guarantee effective protection during transport. These materials are fully recyclable and therefore reduce the environmental impact. Dispose of the packaging in a bin for recyclable materials.

5.2 Disposal of old equipment

- Old appliances must be disposed of in accordance with the guidelines and regulations of the local waste disposal authority. Check with your local administration for the address of the nearest recycling centre and deliver your appliance there.

Our customer service number: Tel. +44 (0) 208 068 5604

Fax: +49 (0) 931 4523 2799 / E-Mail: info@arebos.de

Office address: Canbolat Vertriebs GmbH • Gneisenastraße 10-11 • 97074 Würzburg

Return address can be found in the imprint: <https://www.arebos.de/impressum/>

Imprint

Product name: AREBOS Pool Reel 3m – 5.7m
Model number: AR-HE-PA357
Article number: 4260551580963

If this product is modified without our consent, it will void any warranty.

Date/Manufacturer Signature/Location:

Würzburg, 25 May 2022



Signature:
Dipl.-Inform. (Univ.) Korhan Canbolat, Managing Director

Representative of these instructions for use/technical data:
Dipl.-Inform. (Univ.) Korhan Canbolat, Managing Director

Office address:
Canbolat Vertriebs GmbH
Gneisenaustraße 10-11
D-97074 Würzburg

Return address can be found in the imprint: <https://www.arebos.de/impressum/>

VAT identification number: DE 263752326
Court of the Commercial Register is Würzburg, HRB 10082
WEEE Reg.-No. DE 61617071