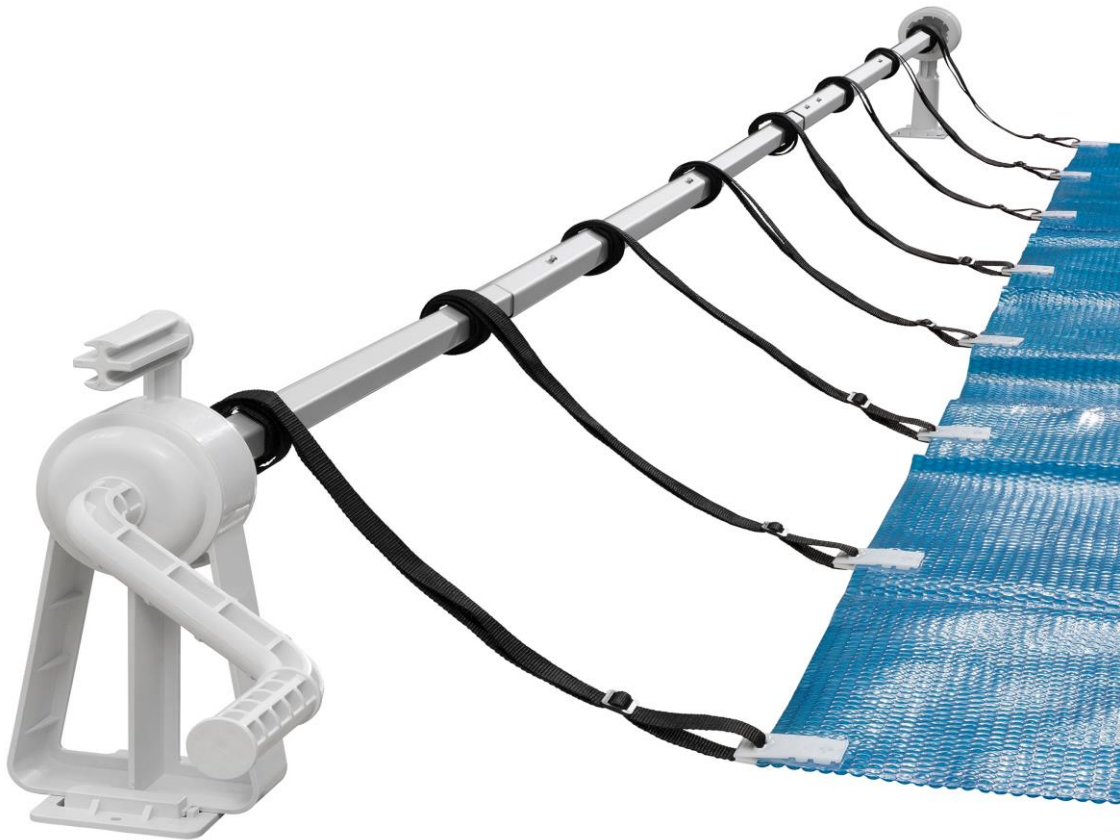


AREBOS

Inground Pool Cover Reel 1m – 6m

AR-HE-PA16



Please follow all security measures in this user's manual to ensure a secure use.

Thank you for trusting in AREBOS.

List of contents

1. Safety instructions.....	3
2. Technical Specifications.....	3
3. Parts List.....	3
4. Assembly.....	5
5. Disposal Instruction.....	11
5.1 Disposal of the packaging	11
5.2 Disposal of waste equipment.....	11

Please read and save these instructions. Read through this user's manual carefully before using product. Protect yourself and others by observing all safety information, warnings and cautions. Failure to comply with instructions could result in personal injury and/or damage to product or property. Please retain instructions for future reference.

1. Safety instructions

- The device works best when installed directly on the pool edge, where it copies the ideal direction of rewinding. In this way, the tarpaulin can't be damaged by the edge of the swimming pool.
- Incorrect placement of the rewinding device could seriously damage the tarpaulin!
- The pool cover reel and solar cover should be washed regularly with clean water to prevent build-up of chemical contaminants.
- For winter storage, the pool retractor should be stored in a dry place
- When rolling up and unrolling the cover, always keep an eye on the pool.
- The cover should be rolled up by a responsible (authorized) adult.
- Do not put your hand in the pool cover reel.

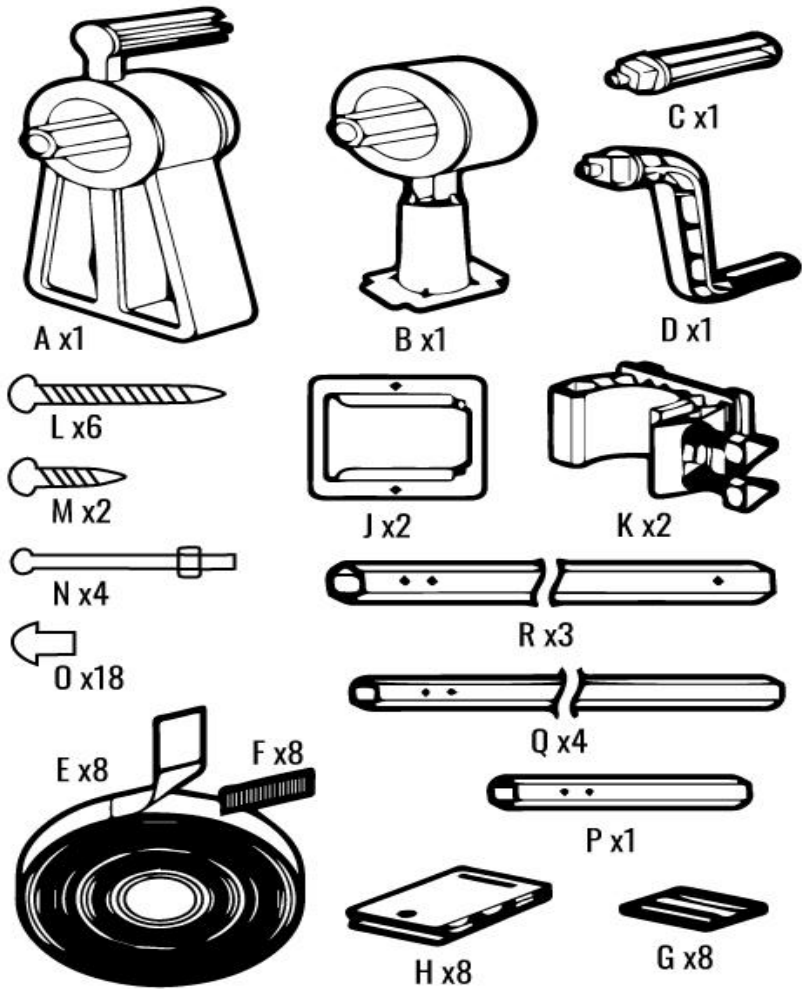
2. Technical Specifications

Model	AR-HE-PA16
Length	3.45 in up to 20.18 in (1.05 m up to 6.15 m)
Diameter tube	1.65/1.46 in (42/37 mm)
Material thickness tube	0.0433 in (1,1 mm)
Material tube	Aluminium
Material mounting stand	Plastic
Weight	15.4 lbs (7 kg)

3. Parts List

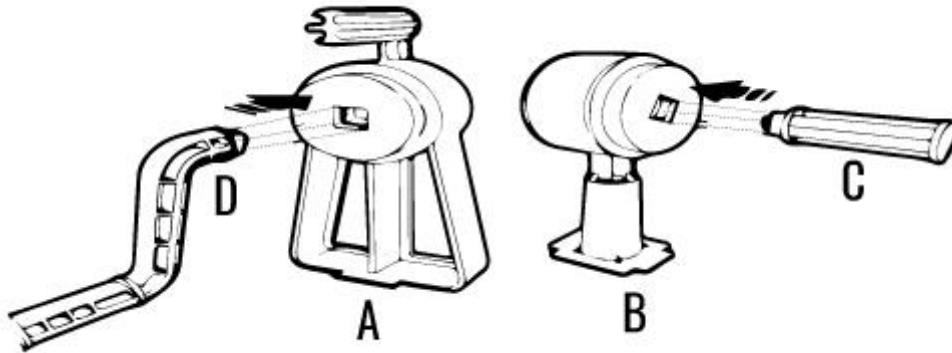
Letter	Description	Quantity
A	Reel support 1	1
B	Reel support 2	1
C	Handle	1
D	Lever	1
E	Strap with female velcro	8
F	Male velcro sticker	8
G	Buckle	8
H	Cover clip	8
J	Base plate, for mounting on pool ledge	2
K	Clamp, for mounting on pool frame	2
L	Self tapping screws (long)	6
M	Self tapping screws (short)	2
N	Bolt and nut	4

O	Pan head screw	18
P	Hexagonal tube adapter	1
Q	Hexagonal tube (small)	4
R	Hexagonal tube (large)	3



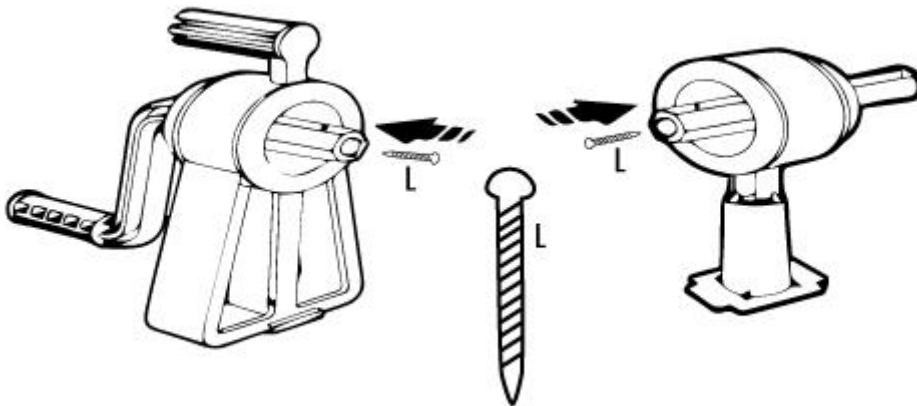
4. Assembly

1. Insert D into A and C into B.



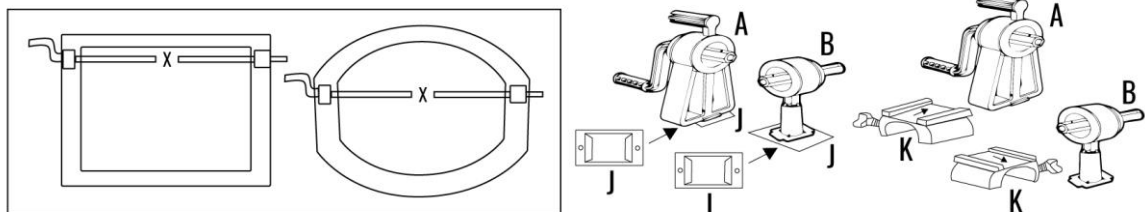
2. Insert screw L into A and B and tighten.

Tips: Use screw driver with magnetic head which can hold the screw when inserting into A and B.



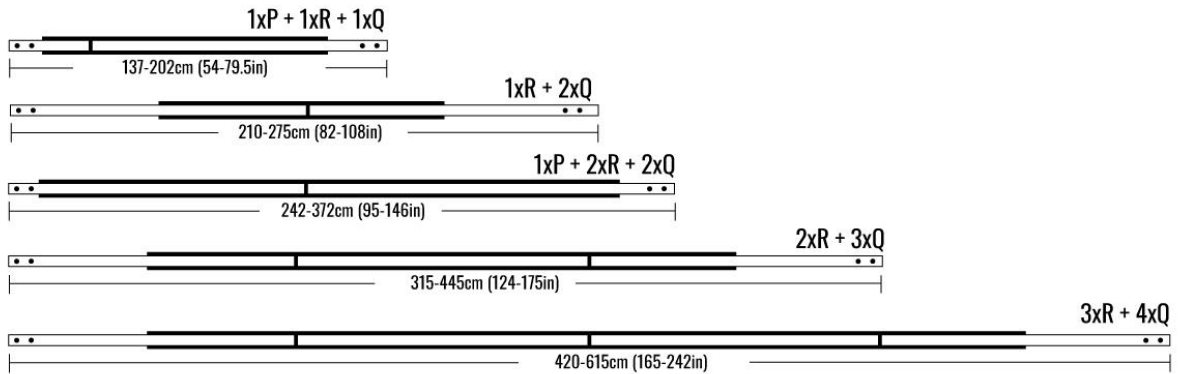
3. The required length of the tube set is the length X from the inner end of reel support A to the inner end of B, when reel supports are positioned on each side of pool.

To measure the length X, for pool with ledge, slide the base plates J on the bottom of reel support A and B. Place A and B on the ledge and measure the distance accordingly. For pools with tubular frame, slide K onto the bottom of A and B. Place them on the tubular frame and secure their positions by tightening the screws on K, and measure the distance accordingly.

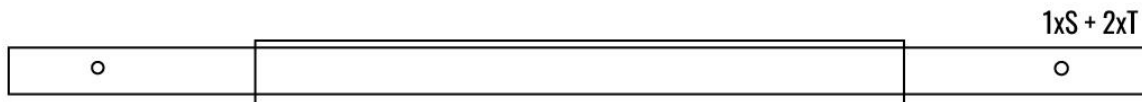


4. Tube configuration

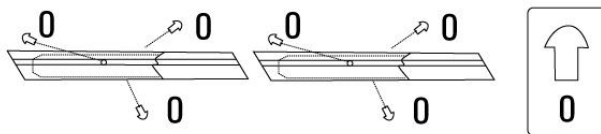
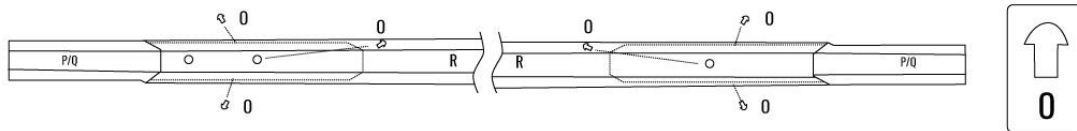
Attention: Minimum overlap of 7.87 in (20 cm) for each tube.



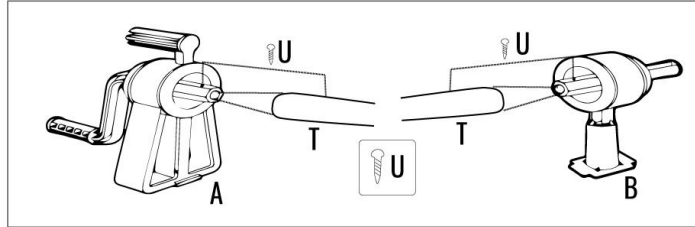
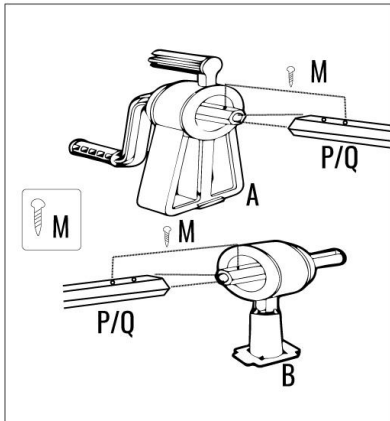
Note: The holes on tubes P or Q should be positioned at both ends of the complete tube configuration, ready for assembly to reel supports A and B.



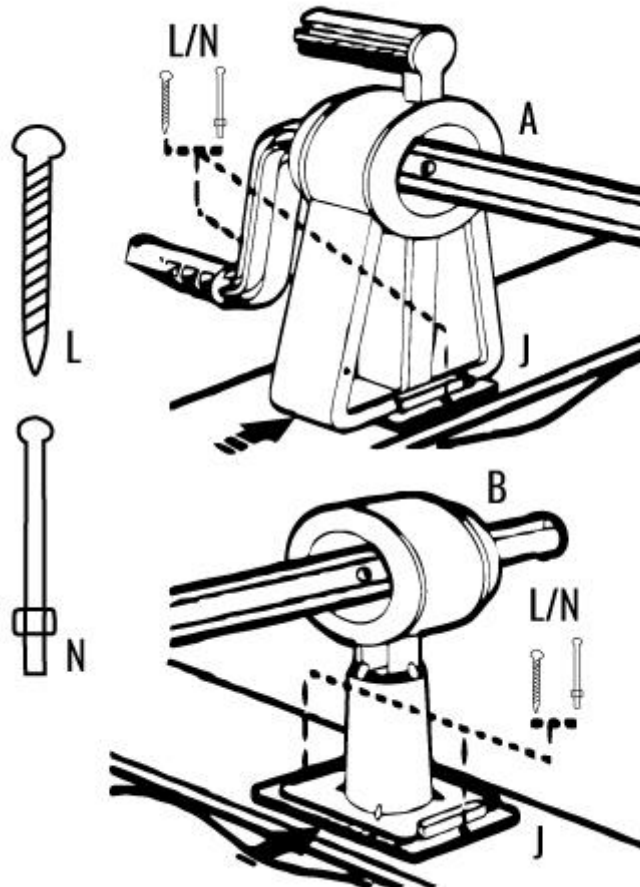
5. To secure the connection of tube R with P/Q inside, tighten three screws O in the holes on tube R as shown. A minimum overlap of 7.87 in (20 cm) is required.



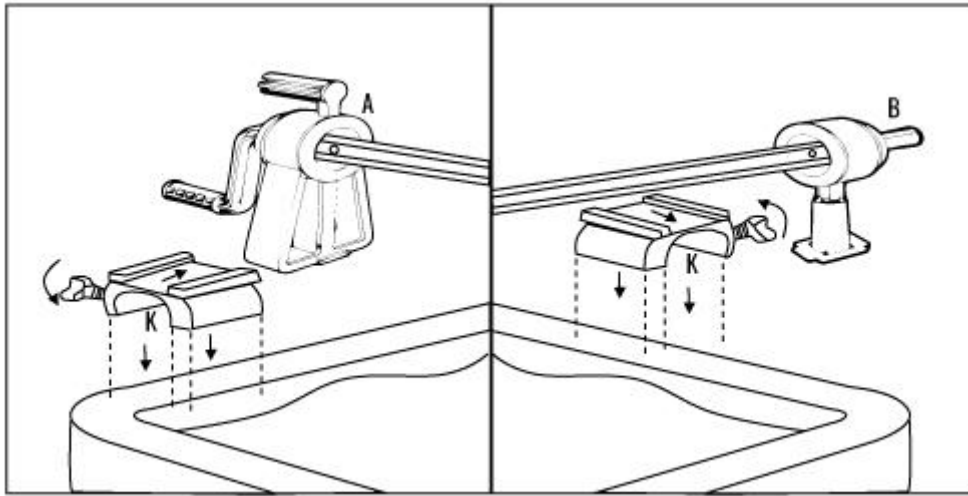
6. Note: The holes on tubes P or Q should be positioned at both ends of the complete tube configuration, ready for assembly to reel supports A and B. After defining your desired tube configuration, slide the end of preassembled tube set onto the axle of reel supports A and B respectively. Make sure the second pre-drilled holes on the tube P or Q and axles are aligned for screw assembly. Secure the tube set on the axle with screw M.



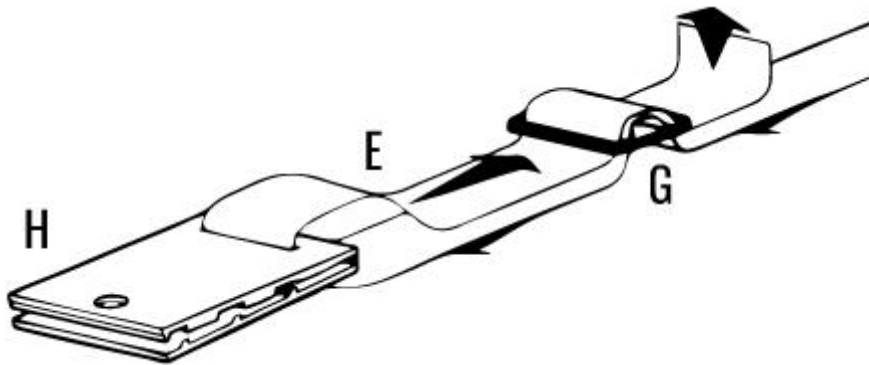
7. Place reel supports A and B, with base plate J on bottom, on the ledge. For wood or plastic ledge, use self-tapping screws L to secure the base plate directly to the ledge. For metal ledge, drill holes in it corresponding to the holes of the base plate J. Use bolt and nut N to secure the base plate. If it is necessary to adjust the tube length, loosen the 3 screws O on the tube R on either end of tube set. Adjust the length as required and tighten the screws O securely.



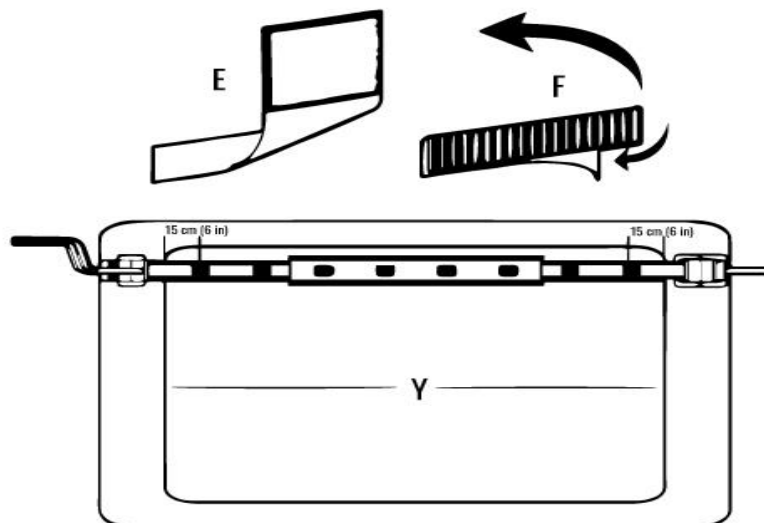
8. **For pools with tubular frame:** Position reel supports A and B, with clamp K on „bottom“, onto the frame and tighten the screws to secure their position. If it is necessary to adjust the tube length, loosen the 3 screws O on the tube R on either end of tube set. Adjust the length as required and tighten the screws O securely.



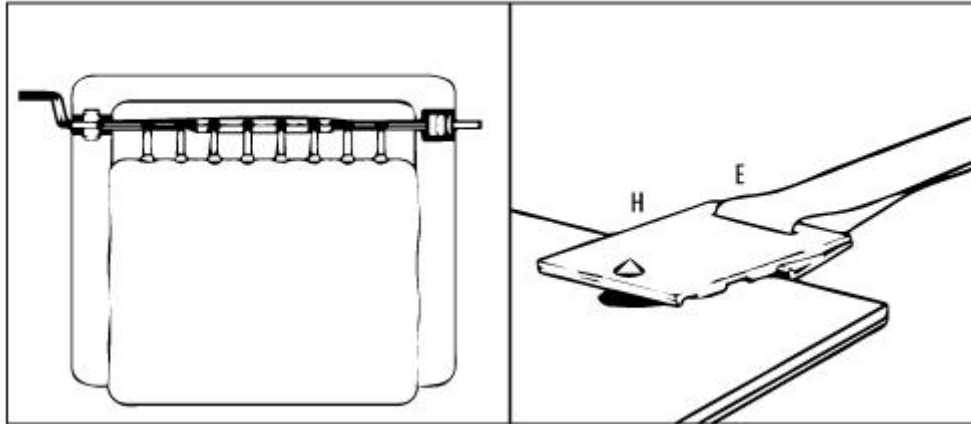
9. Assemble E, G and H as shown in the picture.



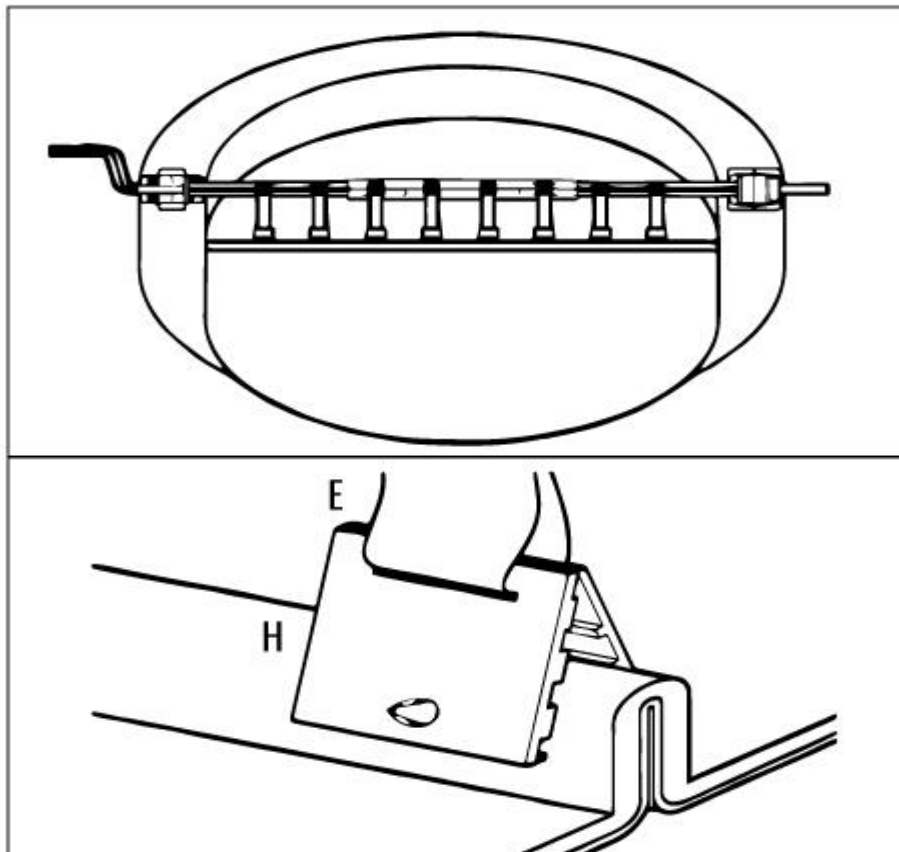
10. Detach the 8 male velcro stickers F from E and peel off the protective layers. Stick them onto the tubes in a straight line at equal distance over the length Y. Keep a safety distance of 6 inches from the two pipe ends!



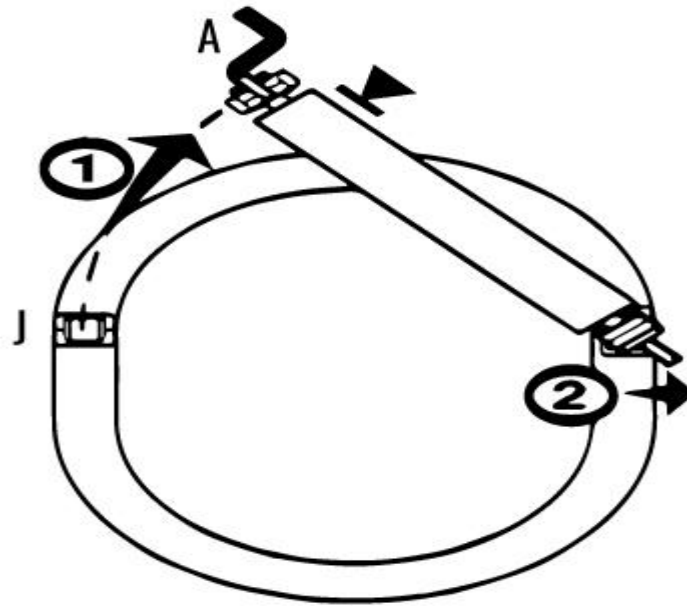
11. **For rectangular shaped above ground pools:** Open cover over the pool and set into position. Attach H on the cover, keeping the same regular intervals as the male velcro stickers on the tubes. Ensure that the length of the straps allows the cover to lay flat on the pool, to prevent wind from getting under the cover.



12. **For round or oval shaped above ground pools:** Open cover over the pool and pinch it as shown in the picture. Attach H on the cover, keeping the same regular intervals as the male velcro stickers on the tubes. Ensure that the length of the straps allows the cover to lay flat on the pool, to prevent wind from getting under the cover.



13. To remove solar reel system, slide A from J and swivel the reel support around the pool. Make sure the reel support rests on the ledge or remove it completely.



5. Disposal Instruction

5.1 Disposal of the packaging

- Please make reference to the guidelines and standards for appropriate disposal of the packaging valid in your region. In part, the package may consist of plastic bags - watch this respect, with special care to ensure that this is not out of the reach of children. There is a risk of suffocation!

5.2 Disposal of waste equipment

- Equipment must be disposed of in accordance with the rules and regulations of the local waste disposal.

Our customer service number: +49 (0) 931-45232700

Imprint

Product name: Inground Pool Cover Reel 1m – 6m
Article number: 4260551581328
Model number: AR-HE-PA16

If the product has any modification not allowed by us, this declaration loses its validity.

Date/Manufacturer Signature/Location:

Würzburg, 16.07.2019



Identification of the signatory:
Korhan Canbolat, head of the company

Authorised representative for the technical documentation:
Korhan Canbolat

Office address:

Canbolat Vertriebs GmbH
Gneisenaustraße 10-11
D-97074 Würzburg
TEL: +44 208 068 5604
FAX: +49 931 4523 2799
Email: Info@arebos.de

Return address can be found in the imprint: <https://www.arebos.de/impressum/>

VAT identification number: DE 263752326
Court of the Commercial Register is Würzburg, HRB 10082
WEEE Reg.-No. DE 61617071