

# AREBOS

## Pool ladder 3 steps

AR-HE-PL03



Please follow all security measures in this user's manual to ensure a secure use.

**Thank you for trusting in AREBOS.**

**information, warnings and cautions. Failure to comply with instructions could result in personal injury and/ or damage to product or property. Please retain instructions for future reference.**

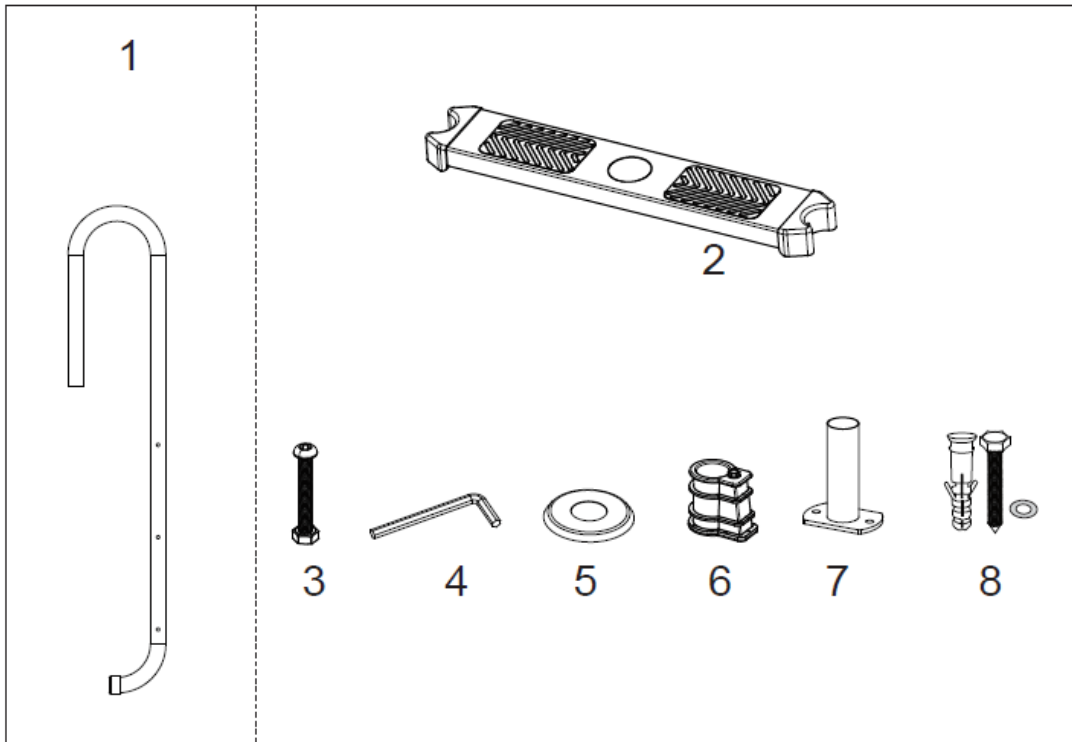
## **Safety instructions**

- To avoid problems and errors, the ladder should be built according to the manufacturer's instructions.
- Failure to comply with the operating instructions can lead to serious health hazards, especially for children.
- The ladder must be built by an adult. Care should be taken while unpacking the parts and assembling them. These ladders may have exposed and potentially dangerous sharp edges or spikes that are necessary for the function of the ladder.
- Keep all small parts of the ladder out of reach of children. The ladder is not a toy. Use the ladder with the appropriate caution.
- Instruct the users of the pool in the proper use of all pool ladders and stairs.
- Before each use, check the mounting screws and retaining brackets and all sharp edges.
- Please support and supervise children when using the ladder to avoid falls or serious injuries.
- Never leave children and people with disabilities unattended.
- When using the pool at night, the ladder, steps and paths should be illuminated.
- Remove the ladder when you leave the pool.
- Bring a pool ladder or staircase to enter and exit the pool.
- Allow only one person at a time to use the ladder.
- When entering/leaving the pool, always contact the manager
- Secure the ladder when no one or no adult is in the pool.
- Never attempt to dive jumps from the ladder, the pool side or any other nearby objects.
- This ladder is designed for use in the pool to enter/exit. Never use the ladder for any other purpose.
- Parents should learn resuscitation measures.

## **Technical specifications**

<b>Model</b>	<b>AR-HE-PL03</b>
Length	52 in (132 cm)
Material	Stainless steel
Width of steps	17.72 in (45 cm)
Distance between steps	9 in (23 cm)
Diameter hand rail	1.6 in (4 cm)

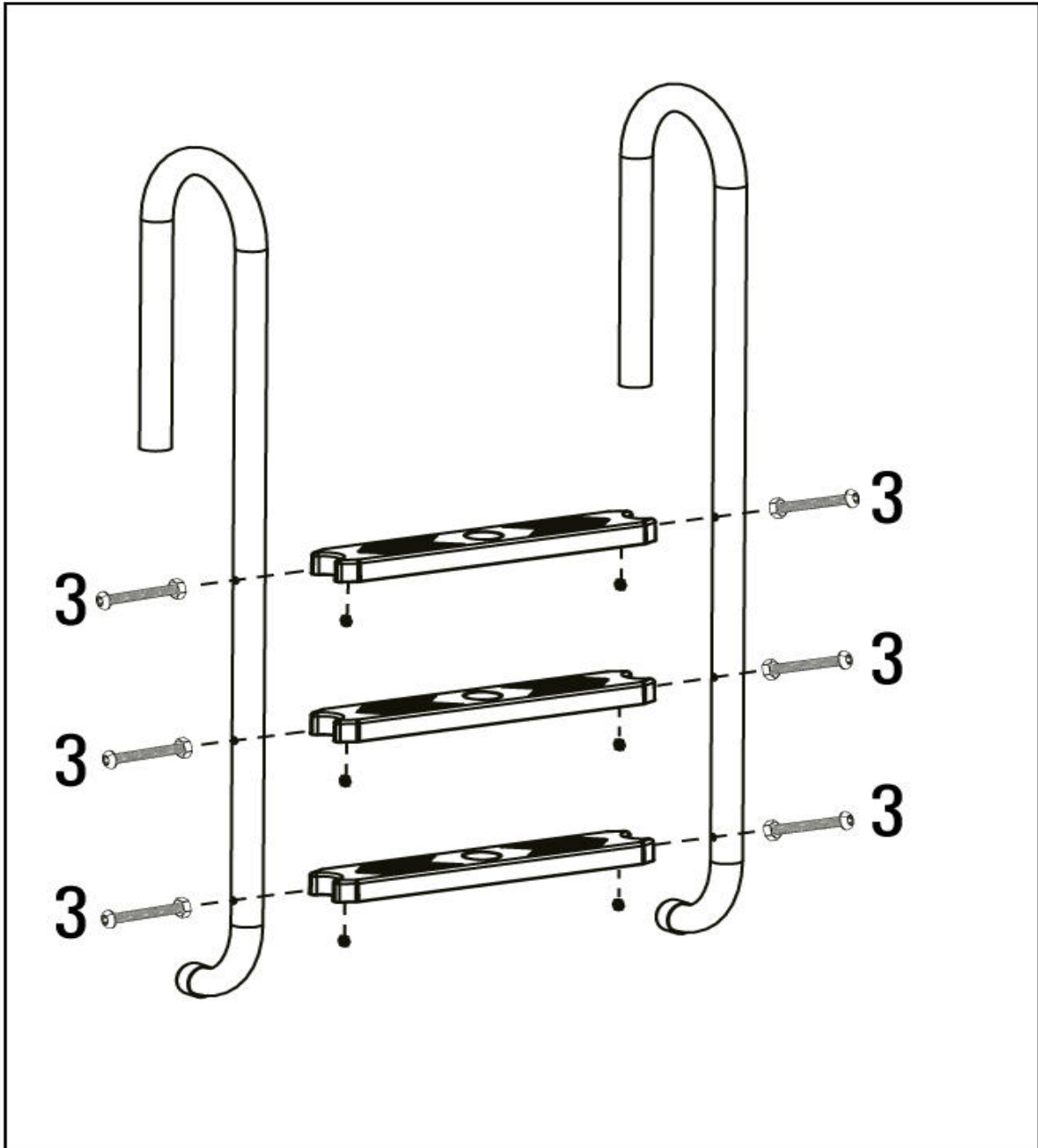
## Parts References



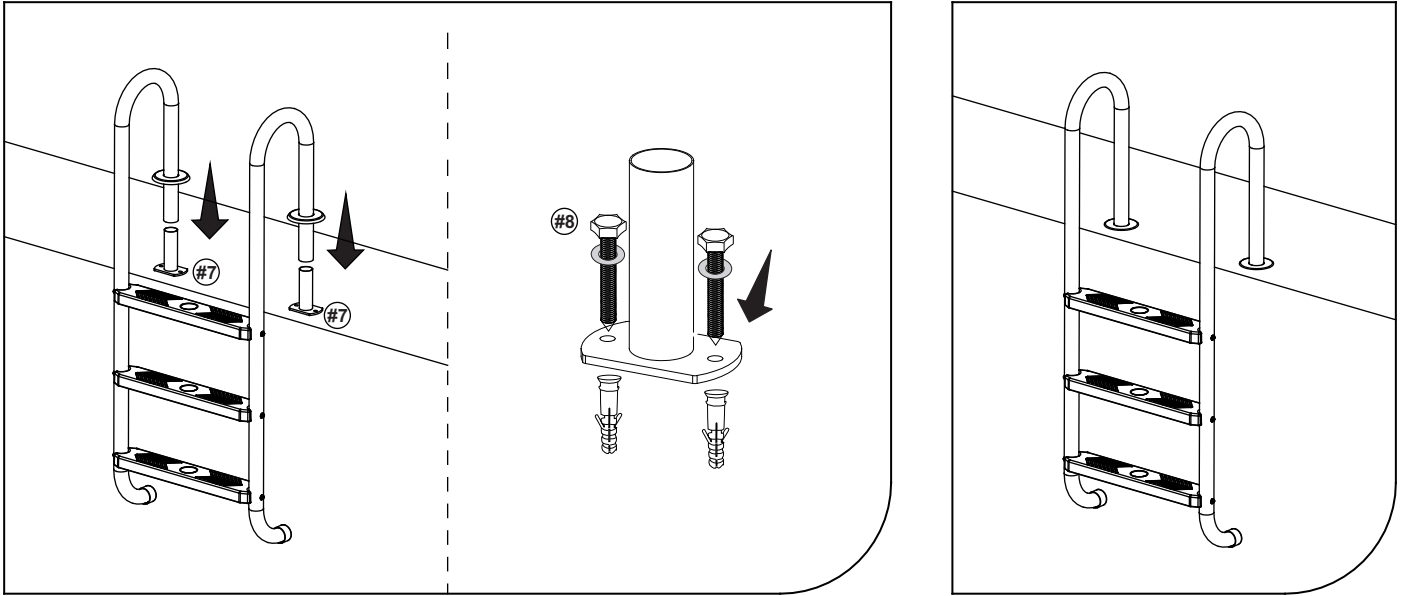
1. 2x Rails
2. 3x Steps
3. 6x Screws
4. 1x Hexagon socket
5. 2x Seals
6. 2x Stand foot A
7. 2x Stand foot B
8. 4x Expansion Screw

## Installation

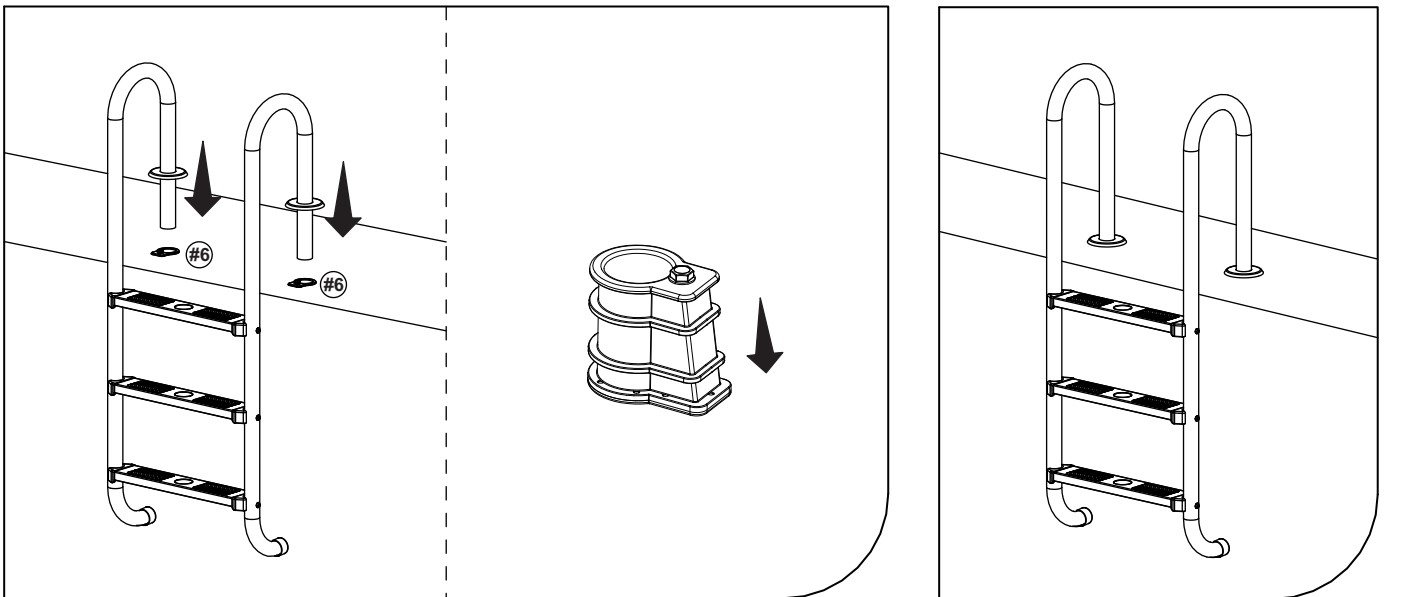
- **Note:** For mounting the ladder a screwdriver or an adjustable wrench is required.
1. Attach the steps to the railing. Screw the steps firmly with two screws each "3" (see picture).



2. 1 Installation Step when use #5, #7 and #8 spare parts.



2. 2 Installation Step when use #5 and #6 spare parts.



3. After the pool ladder has been completely assembled, cement it at ground level behind the edge of the pool. The placement plays an important role. For wide-spreading or narrowly protruding ladders must be ensured corresponding distance.



## **Cleaning and maintenance**

1. Do not forget to check the ladder before each use. Replace the screws and retaining brackets as soon as rust is formed.
2. Make sure that the product is clean and dry before you put it into stock.
3. Keep out of reach of children.
4. Keep the ladder sprouts clean and free of mud on which the user could slip.

### **Winterproof**

- We strongly recommend that you remove the pool ladder from the swimming pool outside the bathing season (during the winter months).
- Carefully dismantle and dry all components. Store them in a dry place out of the reach of children.
  - Remove the ladder from the pool.
  - Clean the ladder with water and a neutral detergent.
  - Be sure to clean and dry all parts before storing.

## **Disposal instruction**

### **Disposal of the packaging**

- Please make reference to the guidelines and standards for appropriate disposal of the packaging valid in your region. In part, the package may consist of plastic bags - watch this respect, with special care to ensure that this is not out of the reach of children. There is a risk of suffocation!

### **Disposal of waste equipment**

- Equipment must be disposed of in accordance with the rules and regulations of the local waste disposal.
- At the end of the long life of your article, please dispose of the valuable raw materials for proper disposal so that proper recycling can take place. If you are not sure how to proceed, the local waste disposal companies or recycling centers are happy to help.

**Our customer service number: +49 (0) 931-45232700**

## Imprint

Name of the product: Pool ladder 3 steps  
Model Nr.: AR-HE-PL03  
Art. Nr.: 4260551580895

If the product has any modification not allowed by us, this declaration loses its validity.

Date/Manufacturer Signature/Location:

Würzburg, 24.06.2019



Identification of the signatory:  
Korhan Canbolat, head of the company

Authorised representative for the technical documentation:  
Korhan Canbolat

**Office address:**

Canbolat Vertriebs GmbH  
Gneisenaustraße 10-11  
D-97074 Würzburg  
TEL: +44 208 068 5604  
FAX: +49 931 4523 2799  
Email: Info@arebos.de

Return address can be found in the imprint: <https://www.arebos.de/impressum/>

VAT identification number: DE 263752326  
Court of the Commercial Register is Würzburg, HRB 10082  
WEEE Reg.-No. DE 61617071