

AREBOS

Robotic Pool Cleaner

AR-HE-BSR



Please follow all security measures in this user's manual to ensure a secure use.



Thank you for trusting in AREBOS.

Table of Contents

1 Introduction and safety instructions....	3
2 Scope of delivery.....	7
3 Operating the Robotic Pool Cleaner	8
4 Maintenance and storage.....	11
5 Troubleshooting.....	13
6 Technical Data	14
7 Environmentally friendly disposal	15
EU Declaration of Conformity.....	16

Thank you for purchasing our product. Please read the operating instructions carefully before using the product for the first time. If you give the product to a third party, this manual must be handed over with it. Keep the instruction manual for future reference. The drawings in this manual may not match the physical objects. Please refer to the physical objects.

1 Introduction and safety instructions

Introduction

- This instruction handbook is intended to familiarise you with the installation, use and maintenance of the product. To install the unit safely and correctly, please read the operating instructions **before** you start.

Explanation of the symbols



Warning! Read the safety instructions carefully. Failure to follow the safety precautions could result in serious injury or damage. Keep the operating instructions in a safe place.




Note! Pull out the mains plug.




Warning! Risk of electrical voltage!



Use with caution when using this article!

 **WARNING!** This signal symbol/word indicates a hazard with a medium level of risk which, if not avoided, may result in death or serious injury. injury if not avoided.

 **CAUTION!** This signal symbol/word indicates a hazard with a low level of risk which, which, if not avoided, may result in a minor or moderate injury. injury if not avoided.

Note! This signal symbol/word warns you of possible property damage.



This product **must not** be disposed of with household waste!






By means of a CE marking, it can be recognized that a product complies with the legal requirements of European legal standards and therefore may be traded within the European Community.



Dear Owner: Thank you for choosing robotic pool cleaner. In order to achieve optimal performance, please read and follow these steps:

1. Cleaner filter bags should be thoroughly cleaned after each use or as often as needed to ensure cleaner's optimal performance.
2. Before using your cleaner and especially when opening the pool for the first time remove larger items from the pool that may diminish the cleaner's performance. Clean filter bags frequently when pool is excessively dirty.
3. Cleaner may stop in the middle of the pool and reverse during cleaning cycle. This is a normal part of the programmed cycle.
4. DO NOT start cleaner out of the water. Power button should only be switched to "I" position when unit is submerged. The unit will automatically shut off, but it is best to put power switch in "O" position when unit completes cleaning.
5. The electric supply connection shall be made by a qualified electrician and comply with IEC 60364-1. It is recommended that the electric supply to this machine should include either a residual current device that will interrupt the supply if the leakage current to earth exceeds 30 mA for 30 ms or a device that will prove the earth circuit.
6. The power supply box (including safety isolated transformer) of swimming pool cleaner must be located at minimum 3.5 meters away from the pool edge and minimum 2.5 meters overtop of top edge of pool (outside Zone 1 defined in IEC 60364-7-702).
7. The length of the supply cord of power supply box is maximum 0.5 meters.


 **CAUTION!**






1. This appliance can be used by children aged from 8 years and above and persons with reduced physical, sensory or mental capabilities or lack of experience and knowledge if they have been given supervision or instruction concerning use of the appliance in a safe way and understand the hazards involved. Children shall not play with the appliance. Cleaning and user maintenance shall not be made by children without supervision.
2. If the supply cord is damaged, it must be replaced by the manufacturer, its service agent or similarly qualified persons in order to avoid a hazard.
3. The pump must be supplied through a residual current device (RCD) having a rated residual operating current not exceeding 30 mA.
4. Do not operate the cleaner when people are in the pool.
5.  **CAUTION!** The control box of the appliance must be fixed to the ground or the wall securely! Never operate the unit without fixing the control box first!
6.  **CAUTION!** The control box must be fixed at a minimum distance of 3.5m from the edge of the swimming pool!"
7.  **CAUTION!** The appliance is only to be used with the power unit provided with the appliance.

Important safety precautions

- Your safety is of the most importance to us. Please make sure that you read this instruction booklet **before** attempting to install and use the appliance. If you are unsure of any of the information contained in this booklet, please contact the Retailer where you purchased your unit.
-  **WARNING!** Read all safety and usage instructions. Failure to follow the safety information and instructions can cause electric shock, fire and/or serious injury. Keep all safety and usage instructions for future reference.
- **DO NOT** use the product until you read the instruction manual.
- Make sure you have read the instruction manual thoroughly and understand the contents before you start the installation.
- The instructions are in the interest of your safety.
-  **WARNING! Danger of suffocation!** Packaging material is dangerous for children. Never let children play with packaging material.

Attention User: This manual contains important information that will help you in operating and maintaining this pool cleaner. Please retain it for reference.

 **WARNING!** Before installing this product, read and follow all warning notices and instructions which are included. Failure to follow safety warnings and instructions can result in severe injury, death, or property damage. Consumer Information and Safety service after installed, operated and maintained according to the information in this manual. Be sure to read and comply with all of the warnings and cautions.

 DANGER!	Risk of electrical shock or electrocution The electrical supply to this product must be installed in accordance with all applicable local codes and ordinances. Improper installation will create an electrical hazard which could result in death or serious injury to pool users or others due to electrical shock and may also cause damage to property.
 WARNING!	Do not play with cleaner or cable or apply to body. Can trap or tear hair or body parts. Cable can trip or entangle swimmers which could result in drowning.
 WARNING!	The control box of appliance must be fixed securely on the ground wall. Never operate the unit without fixing.
 WARNING!	To reduce the risk of injury, do not let children use or play with pool cleaner.
 CAUTION!	Before installing the cleaner, understand cleaner coverage. The cleaner was not designed to automatically clean steps or to work under a solar cover. It was also not designed to do initial cleanup for a new pool installation.

Important safety instructions

IMPORTANT SAFETY INSTRUCTIONS

The CLEANER automatic swimming pool vacuum cleaner has been manufactured with the highest degree of care and concern for safety. We suggest the following safety precautions become part of your pool safety regulations:

SAVE THESE INSTRUCTIONS

1. ALWAYS PUT THE MACHINE INTO THE WATER BEFORE CONNECTING IT TO THE ELECTRICAL OUTLET.
2. IT IS IMPORTANT FOR SWIMMERS' SAFETY TO REMOVE THE UNIT IMMEDIATELY FOLLOWING USE. THIS CAN ALSO IMPROVE THE OPERATING LIFE OF YOUR CLEANER.
3. BE CERTAIN THE MACHINE IS ONLY PLUGGED INTO A GROUNDED ELECTRICAL OUTLET EQUIPPED WITH AN APPROVED AND PROPERLY OPERATING GROUND FAULT CIRCUIT INTERRUPTER (GFCI).
4. DO NOT HANDLE MACHINE WHILE IT IS PLUGGED INTO THE ELECTRICAL OUTLET.
5. DO NOT USE AN EXTENSION CORD. THIS COULD CREATE A SAFETY HAZARD AND/OR DAMAGE YOUR CLEANER.
6. **ALWAYS STAY OUT OF THE POOL WHILE CLEANER IS IN OPERATION.**
7. NEVER ALLOW PLUG TO ENTER THE POOL.
8. DO NOT OPERATE THE MACHINE OUT OF WATER. THIS WILL DAMAGE THE MOTOR SEAL AND VOID THE WARRANTY.
9. DO NOT DRAG THE MACHINE OUT OF THE POOL AGAINST THE SIDE WALL. THIS COULD DAMAGE UNIT AND/OR YOUR POOL WALL.
10. DO NOT BURY CORD. REPLACE DAMAGED CORDS.
11. WARNING- TO REDUCE THE RISK OF INJURY, DO NOT PERMIT CHILDREN TO USE THIS PRODUCT UNLESS THEY ARE CLOSELY SUPERVISED AT ALL TIMES.
12. IF THE SUPPLY CORD IS DAMAGED, IT MUST BE REPLACED BY THE MANUFACTURER, ITS SERVICE AGENT OR SIMILARLY QUALIFIED PERSONS IN ORDER TO AVOID A HAZARD.

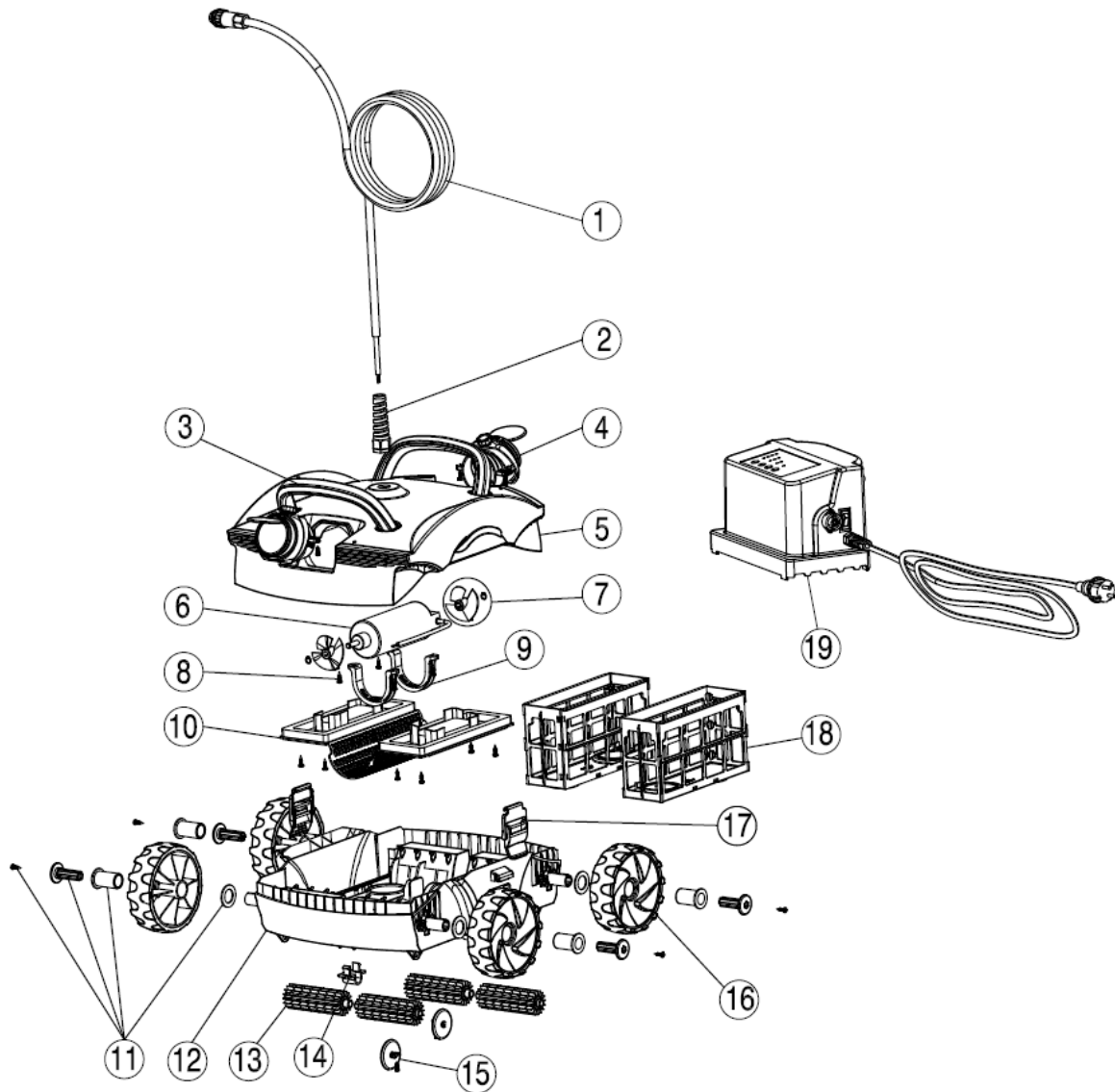
While the CLEANER has been made to operate as safely as possible, we suggest you exercise reasonable care in the handling of the vacuum and inspect the electrical cord frequently for damage or wear, as with any other electrical appliance. After use, remove the unit and rinse with fresh water and remove any twists that may be present in the cord.

PREVENTATIVE MAINTENANCE

In order to maximize efficiency and receive long term service of your unit, we suggest the following:




- Thoroughly rinse entire unit after use.
- Clean filter bags thoroughly after each use—a clogged filter can decrease efficiency dramatically.
- Remove any twists in the cord after each use. Twisting should be minimal if the unit is functioning properly. Laying cord, straightened out in sunlight is helpful.
- Avoid allowing the unit to “cool down” in the water.
- Inspect filter bags frequently. Replace when necessary.

2 Scope of delivery



1. Floating Power Cord	11. Wheel Axle Assembly
2. Power Cord Fixing Joint	12. Main Body Base
3. Handle Assembly	13. Roller
4. Universal Drain Assembly	14. Roller Buckle
5. Top Cover	15. Anti-bumping Wheel Assembly
6. Rotating motor	16. Wheel
7. Impeller	17. Clip
8. Screw ST4.2*16-C-H	18. Filter Basket Assembly
9. Motor Mounting Assembly	19. Control Box
10. Motor Filtration Cover Assembly	

3 Operating the Robotic Pool Cleaner

 WARNING!	Your cleaner should not be used while people are swimming in the pool.
 WARNING!	The electric supply connection shall be made by a qualified electrician and comply with IEC 60364-1. It is recommended that the electric supply to this machine should include either a residual current device that will interrupt the supply if the leakage current to earth exceeds 30 mA for 30 ms or a device that will prove the earth circuit.
 WARNING!	Do not allow swimmers in the pool while pool cleaner is operating. DO NOT switch on the pool cleaner if it is not immersed in the water. Operating the cleaner out of the water may cause severe damage and will result in loss of warranty. Always remember to turn the power supply “O” and unplug it from the power outlet before removing the cleaner from the pool.

GENERAL INFORMATION

Congratulations! You have got the most advanced automatic swimming pool cleaner. The robot is easy to use, and will help you cleaning your swimming pool. Operated according to this manual, your robot will clean your pool quickly and effectively.

PLEASE READ AND FOLLOW ALL INSTRUCTIONS CAREFULLY BEFORE PUTTING YOUR CLEANER INTO USE.

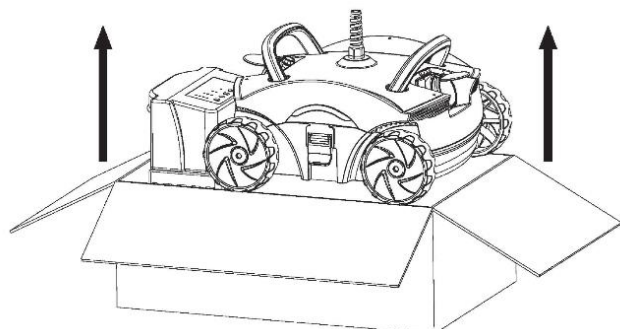
Deterioration, discoloration or brittleness of any pool finish can be caused over time separately by, or in combination with, age, incorrect pool water chemistry, improper installation, and other factors. Customer hereby disclaims any and all claims, and releases Manufacturer from any and all claims for damages to any pool plaster or vinyl liner in Customer’s pool by reason of the use and/or operation of the Cleaner. Under no circumstances shall the Manufacturer be liable for any loss or damage, whether direct, consequential or incidental, arising out of the use or inability to use the cleaner in customer’s pool.

FEATURES

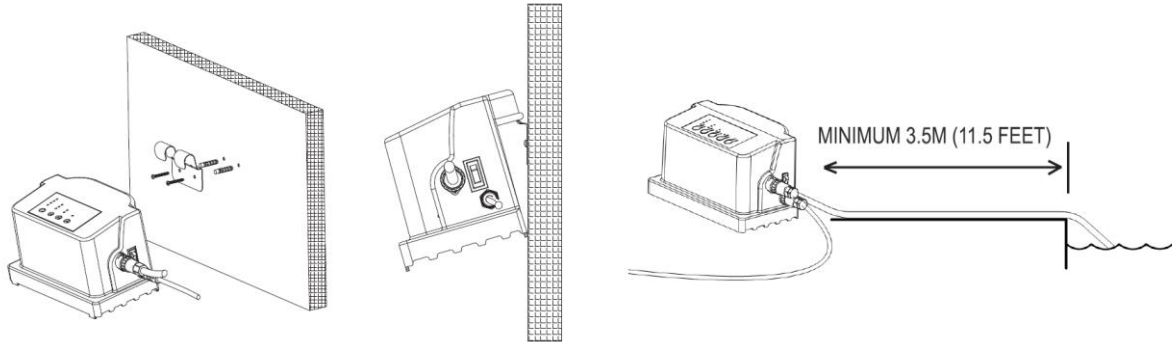
- The swimming pool cleaner is independently scrubs, vacuums, and filters your pool.
- No installation, no attachments. Just drop it in and turn it on. It is completely automatic.
- Electronic Self-Diagnostics and overload Protection.
- It can be serviced in all shapes of pools.

GENERAL OPERATING INSTRUCTIONS

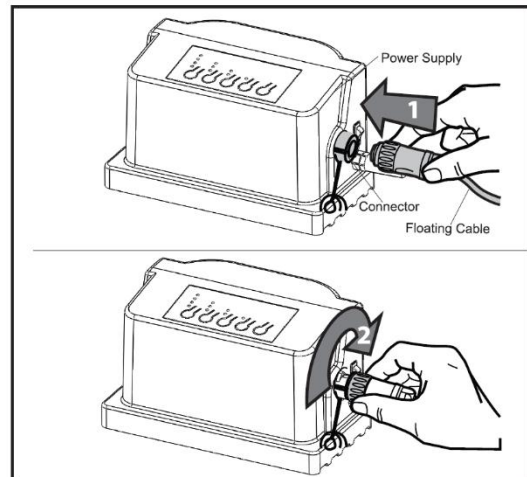
Remove the CLEANER by placing the carton down and removing it from the box as shown. If the Caddy Cart is included, the CLEANER and the Power Supply will be premounted to the cart.



1. Select the nearest 230V~ voltage AC outlet protected by RCD.
2. The control box must be fixed at a minimum distance of 3.5m from the edge of the swimming pool and minimum 2.5 meters ovetop of top edge of pool (outside Zone 1 defined in IEC 60364-7-702). Never operate the unit without fixing the control box first. The length of the standard CLEANER cable is 42 feet.

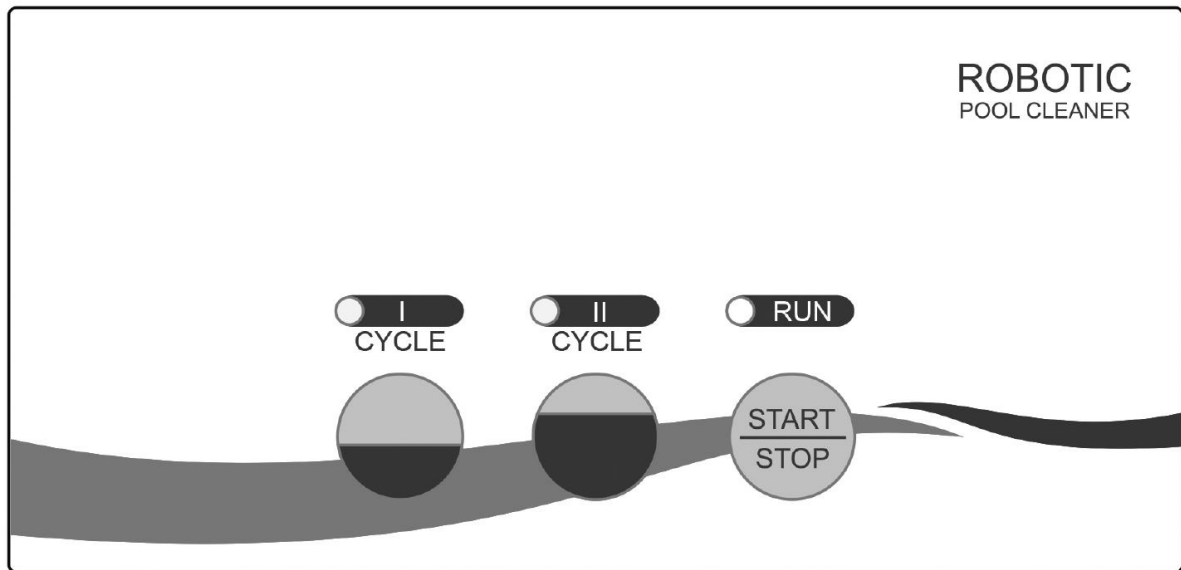


3. To optimize the life of the Cleaner Cpmtrol Box we suggest hanging the Control Box from a fence ,shed or post.Simply attached the bracket to asolid surface using the hardware provided.
4. Connectthe floating cable to the power supply control box.Use only the original Power Supply manufactured by Splash. Connectthe floating cable to the control box as follow photo. Makesure they are connectedcorrectly. (The fitting on the cleaner floating cable should be connected with the control box by turn at the clockwisedirection).



5. Place the CLEANER in the pool. It will slowly sink to the bottom of the pool as the air inside is released.
6. Connect the power supply to the GFCI protected outlet and switch it on. The CLEANER will run according to the proceduresset to do the cleaning cycle.
⚠ CAUTION! DO NOTswitch on CLEANER when the CLEANERis out of water. This may result in damage to the pump and drive motor seals, which will VOID the warranty.
7. Choose the program and start:
 - a. To turn the power supply ON, press and release the power button once.
 - b. To turn the power supply OFF, press and release the power button. Light will turn OFF.
 - c. The power supply has2 settings. Each setting is determined by the pool size and cleanliness as well as for how long you would like to run the cleaning cycle.
 - d. You have an option for CYCLE I and CYCLE II, CYCLEI is for SMALL POOL and CYCLE II is for LARGE POOL, press the button to get your correct setting.
 - e. After setting, press STRAT button to start the machine.
 - f. If you would like to change the cycle mode during the machine is working, press STOP first, then select the cycle mode you need, after 5 seconds, press START again.

Should a second cleaning cycle be required, switch OFF the power supply for 5 seconds and restart.



= 1 Hour Shut-off

= 2 Hour Shut-off

8. After the pool has been cleaned, switch OFF the power supply before removing the CLEANER from the pool.
9. Remove the CLEANER from the water at the shallow end of the pool by pulling the cable until the CLEANER reaches the surface. Then lift it out of the water using the handle, NOT the cable.
10. Do not operate the cleaner when people are in the pool.
11. The appliance is only to be used with the power unit provided with the appliance.

⚠ CAUTION! When pulling the cable, reel it in hand-over-hand, **DO NOT** reel it around your arm. The floating cable should be straight before and after work.

DO NOT ENTER THE SWIMMING POOL WHEN THE CLEANER IS OPERATING

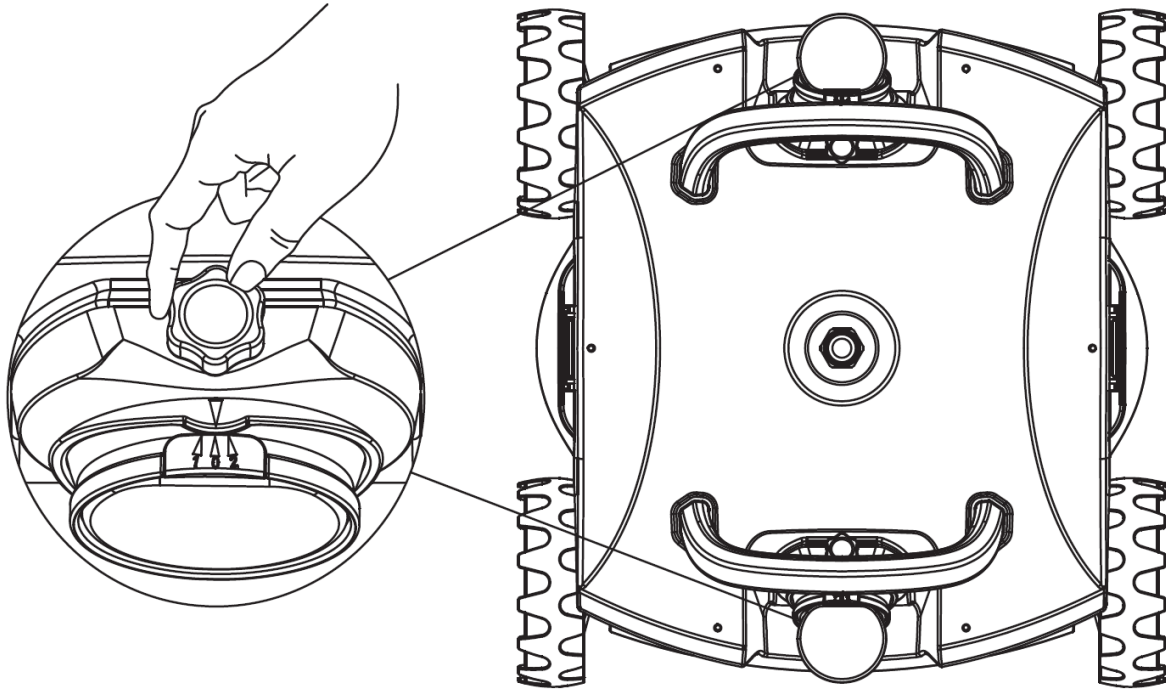
The operating water temperature range for the CLEANER is 10°C - 35°C.

The operating depth of CLEANER is minimum 0,5m , maximum 3m.

Remove the CLEANER from the pool after each use. Keeping the CLEANER permanently in the pool may result in additional service requirements.

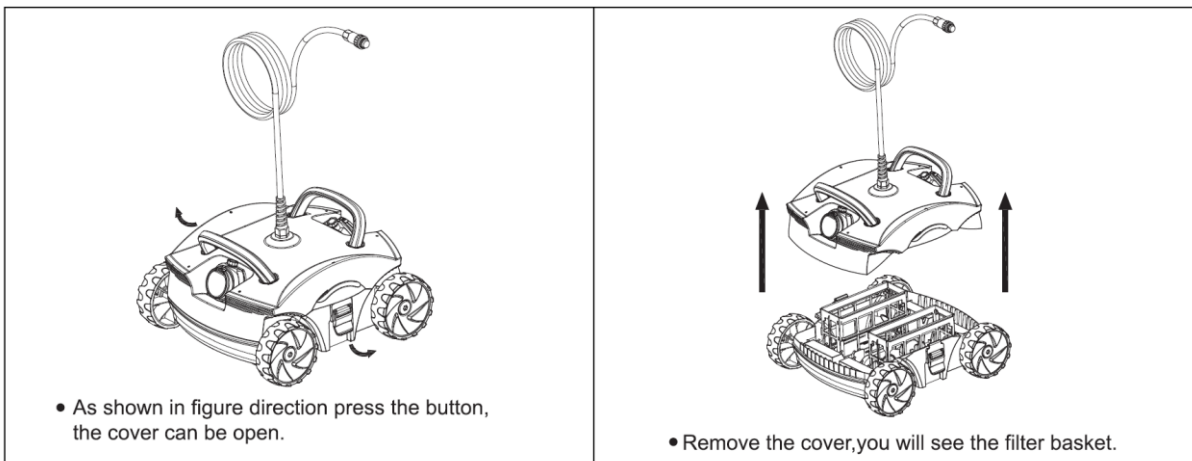
Directional Angle adjustment

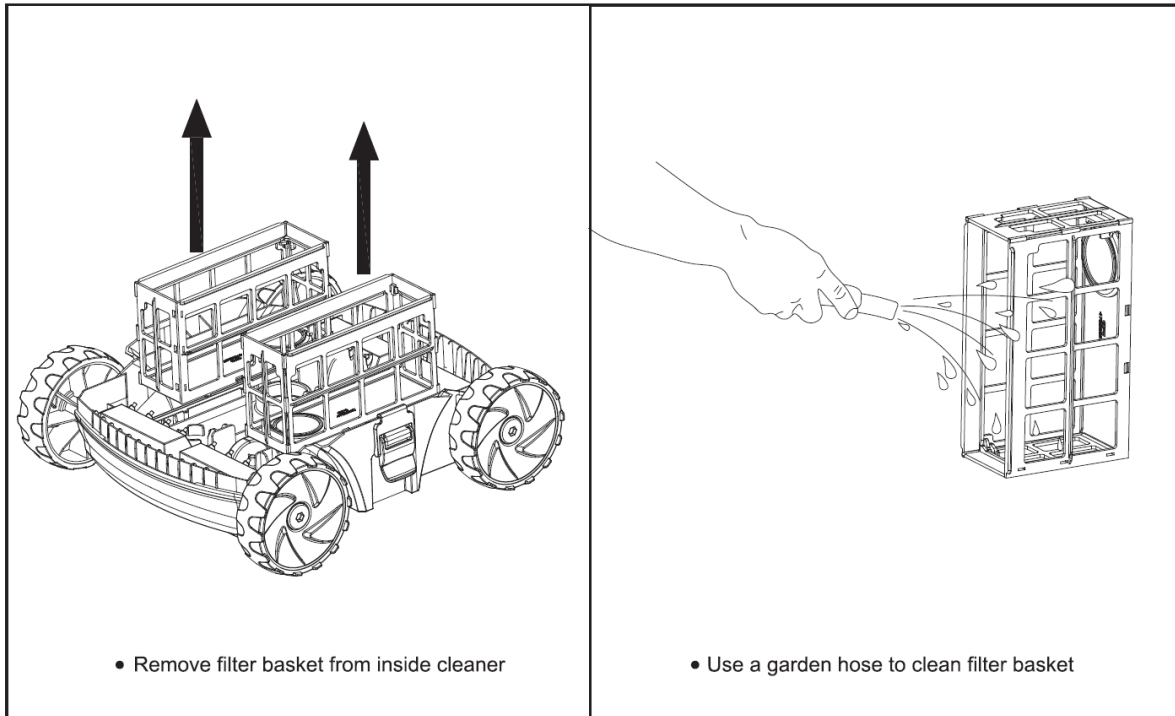
The cleaner has two outlets and the direction angle of each outlet is adjustable during running. If the angle is not satisfying, stop the cleaner, unscrewed the screw as shown in the figure, manually adjust to a proper position (angle dimension: $0 < 1 < 2$); after adjusting, tighten the screws.



4 Maintenance and storage

Clean the filter bags after each use:





Filter cleaning solution can be used to remove excessive dirt and/or sand.

Remember: The cleaner your filter is, the more efficient the CLEANER will perform.

Periodic Cleaning of Moving Parts

⚠ WARNING! Disconnect the power supply from electrical outlet before cleaning moving parts.

- Inspect the venture to ensure that no debris or hair has clogged the impeller.
 - The impeller can be cleaned by spraying it with a garden hose.
- Remove any debris that has accumulated on the wheels

Storage

When out of the water, store the CLEANER in a dry, shady location at temperatures between 4°C and 46°C.

Cable Care

With continued use, the cable may become coiled (like a telephone cord). To correct this, periodically stretching the cord out in the sun should remove any cord twists.

IMPORTANT: The cable should be checked periodically for any external damage.

Important Tips

- Cleaning the filter bags after every use maximizes the unit's performance.
- Replace worn brushes.
- In a pool with usually high calcium content, more frequent cleaning of the filter is recommended.
- Save the CLEANER original carton for extended storage or shipping requirements when CLEANER require dealer service.
- **The sealed Motor Unit and the Power Supply contain no user-serviceable parts.**
- **Opening them will automatically VOID your warranty.**
- Remove items such as thermometer, toys and the like from the pool before operating the unit. Such items can jam the cleaner and cause damage to the unit and/or your pool.

5 Troubleshooting

If CLEANER fails to pick up fine or heavy debris:

- Clean the filter bags. It may be clogged. A filter cleaning solution can be used to remove excessive dirt and/or sand.

If CLEANER starts working momentarily but then stops working:

- Impeller may be clogged or jammed with debris. Check and clean if necessary, following the instructions in the maintenance section.
- There are 2 inlets located at bottom of the cleaner and near the brushes. Inlets located next to the brushes help collect debris such as leaves and sand better than single inlet.
- For the cleaners used in areas that have a lot of sand the cleaner may need to be rinsed with water at the main body base and may need rinsing at the cover and outlet to allow free operation.
- During the normal operating cycle of the cleaner, the unit will rise to allow the unit to clear obstacles, such as elevated main drains and stair steps.

If a cleaner has poor coverage of the pool in one cycle or only covers a small area, check the filter and clean if necessary and make sure the unit is not getting caught on drains, floor cleaning heads or toys. The user may try starting the cleaner in different locations to find the optimum cleaning location.

If debris falls from cleaner while removing from pool, it may be caused by filter overload, increase frequency of filter cleaning. Assure that there is no large debris blocking any of the two inlets. Large debris must be removed from the pool before using machine. If drain flaps are out of place or stuck by sand or leaves in the open position, the flaps can be snapped back into place, after cleaning the area. Avoid dropping or throwing machine into pool. Place cleaner away from the pool wall but do not throw the cleaner in the pool.

If the location cord gets twisted which can be caused by the cleaner working for too long time, it can be straightened by laying the location cord at full length, if possible, in the sun; heat from the sun will help reduce the twisting.

If a high level of debris is visible through the outlet, remove cleaner quickly from the water to reduce the chance of the debris escaping the filter bag and reentering the pool.


6 Technical Data

Product Model	AR-HE-BSR		
Article Number	4260627428533		
Current Consumption	0.7 amps		
Weight	7.1kg		
Interconnection cable Length	13 meters		
Materials	High Impact ABS- Metal Parts of Stainless Steel		
The depth of the pool	3m ≥ H ≥ 0.5m		
Motor Unit	PUMP	PCB	
Speed (rpm)	4500	-	
Voltage	21V DC	3.3V DC	
Current (amp)	5.6	-	
Waterproof Sealing	Double Redundant Radial Shaft Seals.		
Overload Protection	Electronic Overload Monitoring w/auto-shutoff.		
Filter			
Type	Removable, Re-Usable		
Cleaning Routine Control			
Type	Adaptive Seek Control Logic (ASCL™) Microprocessor		
Cleaning Cycle	CYCLE I	CYCLE II	
Drive System	Thrust drive		
Power Supply			
Input Primary Voltage	230 Volt AC		
Output Secondary Voltage	24V DC		
Rated Output Current	5.6 amps		
Weight	2.1 kg		

Shipping			
ROBOTIC Pool Cleaner	Length	Width	Height
Carton Dimensions (mm)	690	360	485
Shipping Weight	14.22 kg		

We reserve the right to make technical and optical changes to the article in the course of product improvements.

7 Environmentally friendly disposal

 **WARNING! Danger of suffocation!** Packaging material is dangerous for children. Never let children play with packaging material.

Disposal and packaging

- The packaging of your unit consists of materials that are necessary to guarantee effective protection during transport. These materials are fully recyclable and therefore reduce the environmental impact. Dispose of the packaging in a bin for recyclable materials.

Disposal of old equipment

- Old appliances must be disposed of in accordance with the guidelines and regulations of the local waste disposal authority. Check with your local administration for the address of the nearest recycling centre and deliver your appliance there.



The symbol of the crossed-out dustbin on a Waste electrical or electronic equipment indicates that it must not be disposed of with household waste at the end of its life. Collection points for waste electrical and electronic equipment are available free of charge in your area. You can obtain the addresses from your city or local government. You can find out about other return options created by us on our website www.arebos.de.



The separate collection of Waste electrical or electronic equipment is intended to enable the reuse, recycling or other forms of recovery of Waste electrical or electronic equipment and to avoid the negative consequences of disposal on the environment and human health.

Our customer service number: Tel. +44 (0) 208 068 5604

Fax: +49 (0) 931 4523 2799 / E-Mail: info@arebos.de

Office address: Canbolat Vertriebs GmbH • Gneisenaustraße 10-11 • 97074 Würzburg

Return address can be found in the imprint: <https://www.arebos.de/impressum/>

Sales tax identification number: DE 263752326

Registration court in the commercial register is Würzburg, HRB 10082

WEEE-Reg. No. DE 61617071

EU Declaration of Conformity



We, the **Canbolat Vertriebsgesellschaft mbH**
Gneisenaustraße 10-11
97074 Würzburg
Germany

declare in sole responsibility that the following product:

Brand **AREBOS**
Product Name Robotic Pool Cleaner
Product Model AR-HE-BSR
Article Number 4260627428533

has been developed, constructed 2014/35/EU
and manufactured in compliance 2011/65/EU / 2015/863/EU
with the requirements of the
European Directives:

The object of the declaration described above is in conformity with the relevant European Union harmonization legislation.

The assessment is based on the following applied **harmonized standards:**
EN 60335-1:2012+A11:2014+A13:2017+A1:2019+A2:2019
+A14:2019+A15:2021
EN 60335-2-41:2003+A1:2004+A2:2010
EN 62233:2008

Other technical standards and specifications applied:

Place and date of issue: Würzburg, 13.09.2022

Signature:

Dipl.-Inform. (Univ.) Korhan Canbolat, Managing Director

If the device is modified without our consent, this declaration of conformity loses its validity.