

AREBOS

Rattan Garden Furniture



*Product may vary depending on variety

Please follow all security measures in this user's manual to ensure a secure use.

Thank you for trusting in AREBOS.

Table of Contents

1. Safety Instructions	3
1.1 Explanation of the symbols	3
2. Environmentally friendly disposal	3
2.1 Disposal and packaging	3
2.2 Disposal of old equipment.....	3
3. Content of Delivery	4
4. Series Drawings.....	5
5. Assembly.....	7
5.1 Corner Sofa (Parcel 1).....	10
5.2 Armless Sofa (Parcel 2)	11
5.3 Stool (Parcel 3)	12
5.4 Coffee Table (Parcel 4)	13
5.5 Single Arm Sofa (Parcel 5).....	14
5.6 Storage Box (Parcel 6).....	15
6. Technical Data.....	18
Imprint.....	19

Thank you for purchasing our product. Please read the operating instructions carefully before using the product for the first time. If you give the product to a third party, this manual must be handed over with it. Keep the instruction manual for future reference.

The drawings in this manual may not match the physical objects. Please refer to the physical objects.

1. Safety Instructions

1.1 Explanation of the symbols



Warning! Read the safety instructions carefully. Failure to follow the safety precautions could result in serious injury or damage. Keep the operating instructions in a safe place.

2. Environmentally friendly disposal

Warning Danger of suffocation! Packaging material is dangerous for children. Never let children play with packaging material.

2.1 Disposal and packaging

- The packaging of your unit consists of materials that are necessary to guarantee effective protection during transport. These materials are fully recyclable and therefore reduce the environmental impact. Dispose of the packaging in a bin for recyclable materials.

2.2 Disposal of old equipment

- Old appliances must be disposed of in accordance with the guidelines and regulations of the local waste disposal authority. Check with your local administration for the address of the nearest recycling centre and deliver your appliance there.

Our customer service number: Tel. +44 (0) 208 068 5604

Fax: +49 (0) 931 4523 2799 / E-Mail: info@arebos.de

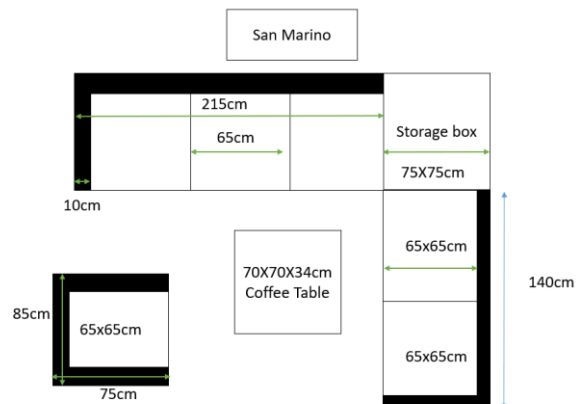
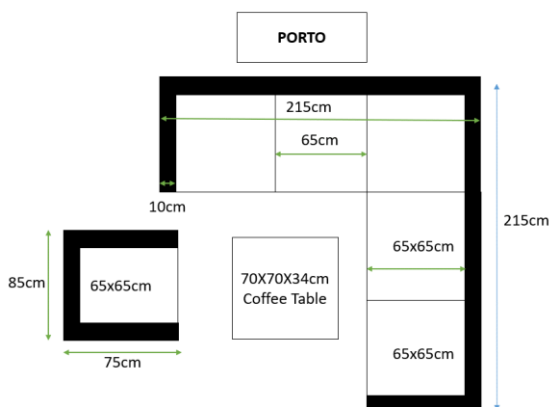
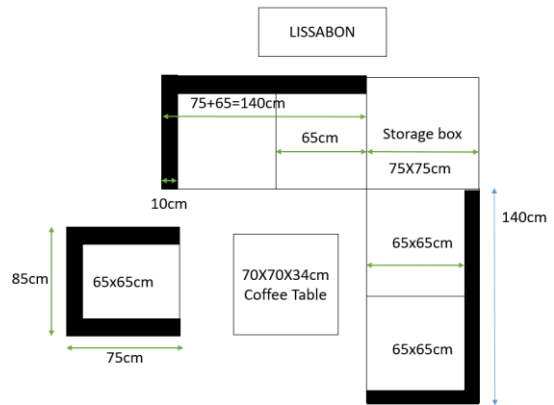
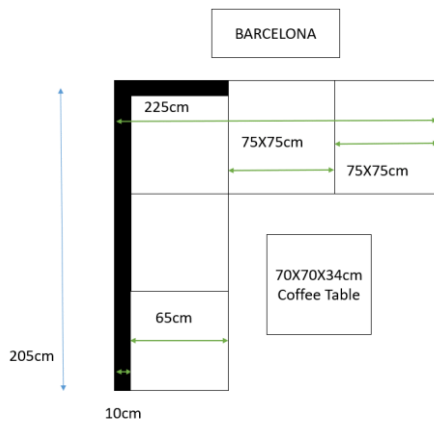
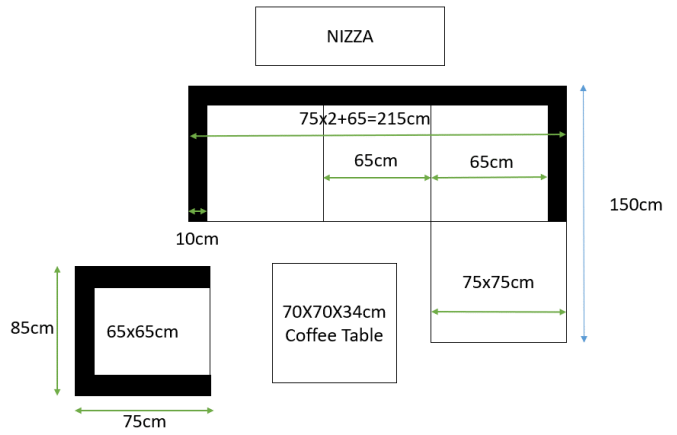
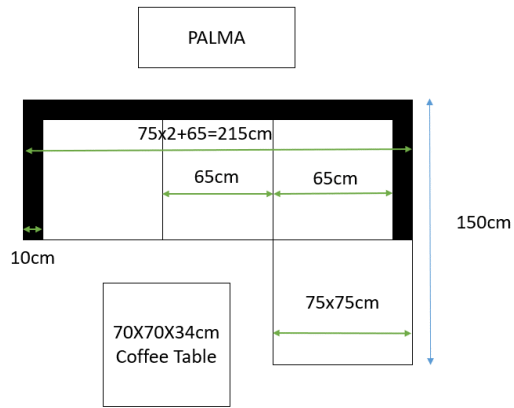
Office address: Canbolat Vertriebs GmbH • Gneisenaustraße 10-11 • 97074 Würzburg

Return address can be found in the imprint: <https://www.arebos.de/impressum/>

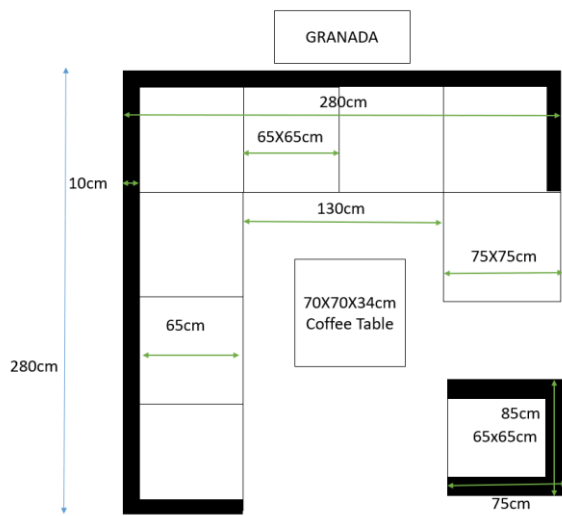
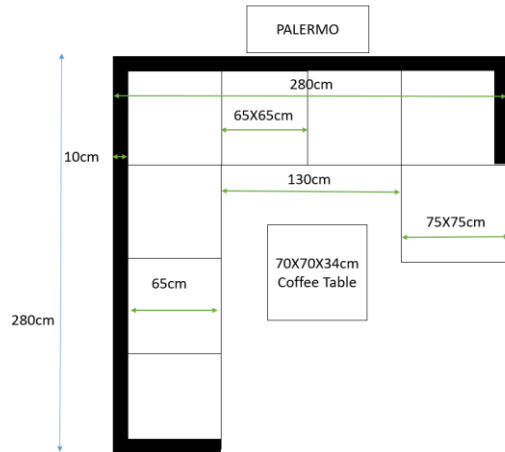
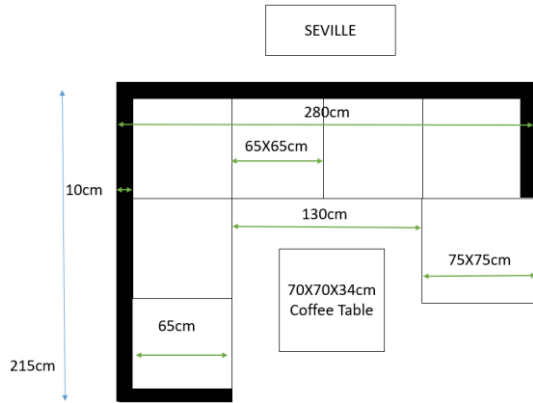
3. Content of Delivery

Package Number	PKT 1	PKT 2	PKT 3	PKT 4	PKT 5	PKT 6
Series	grey					
Palma	4260627425471	4260627425570	1	1	0	0
Nizza	4260627425488	4260627425587	1	1	1	0
Barcelona	4260627425495	4260627425594	1	2	0	0
Lissabon	4260627425501	4260627425600	2	2	1	1
Porto	4260627425518	4260627425617	3	2	1	0
San Marino	4260627425525	4260627425624	2	3	1	1
Seville	4260627425532	4260627425631	3	3	1	0
Palermo	4260627425549	4260627425648	3	4	1	0
Granada	4260627425556	4260627425655	3	4	1	0
Cannes	4260627425563	4260627425662	3	5	2	0
Color	grey					
	black					
Delivery Content	Corner sofa 1x, Seating cushion 1x, back cushion 2x, screw bag	Armless Sofa 1x, Seating cushion 1x, back cushion 1x, screw bag	Stool Sofa 1x, Seating cushion 1x, screw bag	Coffee table 1x, glass 1x, Screw bag	Single Sofa 1x, Seating cushion 1x, back cushion 1x, screw bag	Storage box 1x, screw bag

4. Series Drawings



Original User Manual – AREBOS Rattan Garden Furniture



5. Assembly

Caution: Fine threads! Do **not** overtighten the screws.

Assembly material



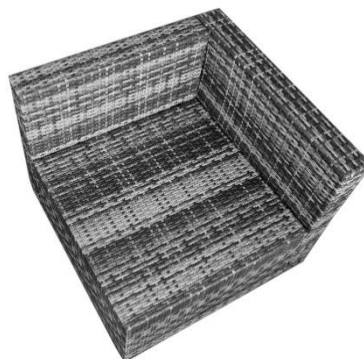
- 4x supporting feet
- Screws (short, medium, long)
- Nuts
- Washers
- Tools
- Screws silver, self-tapping
- Clamp

General approach

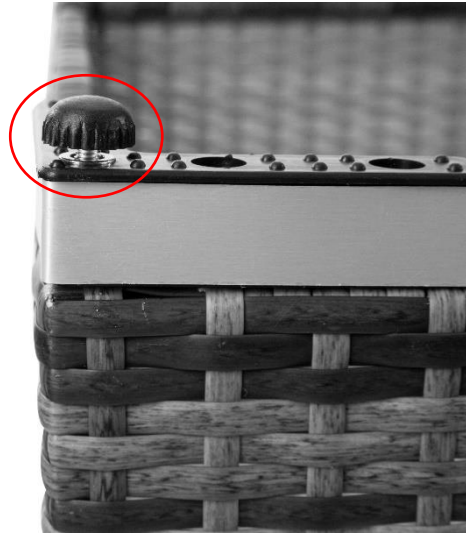
1. Open the packages and check the scope of delivery (chapter 3).
2. Assemble the components for the assembly.



3. Arrange the components according to the structure.

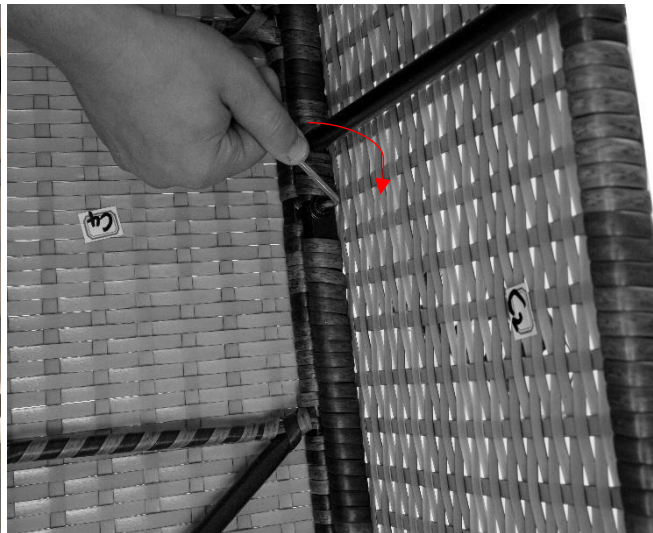
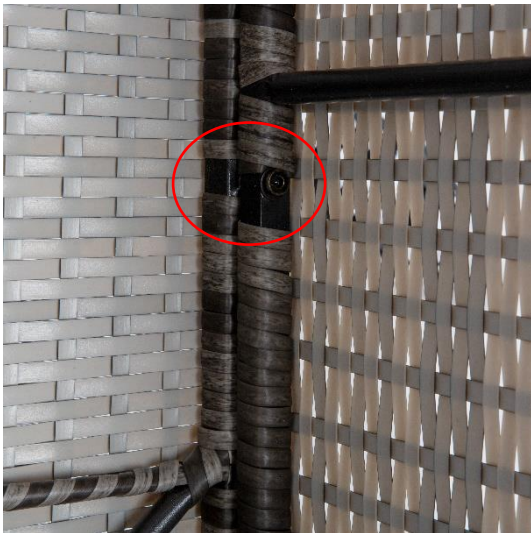


4. Use the short, medium and long screws according to the following points (pages 7 and 8). Do not (yet) tighten the screws completely.
5. Mount the feet using the self-tapping screws (4x per foot). Use the screw with head to balance the furniture.

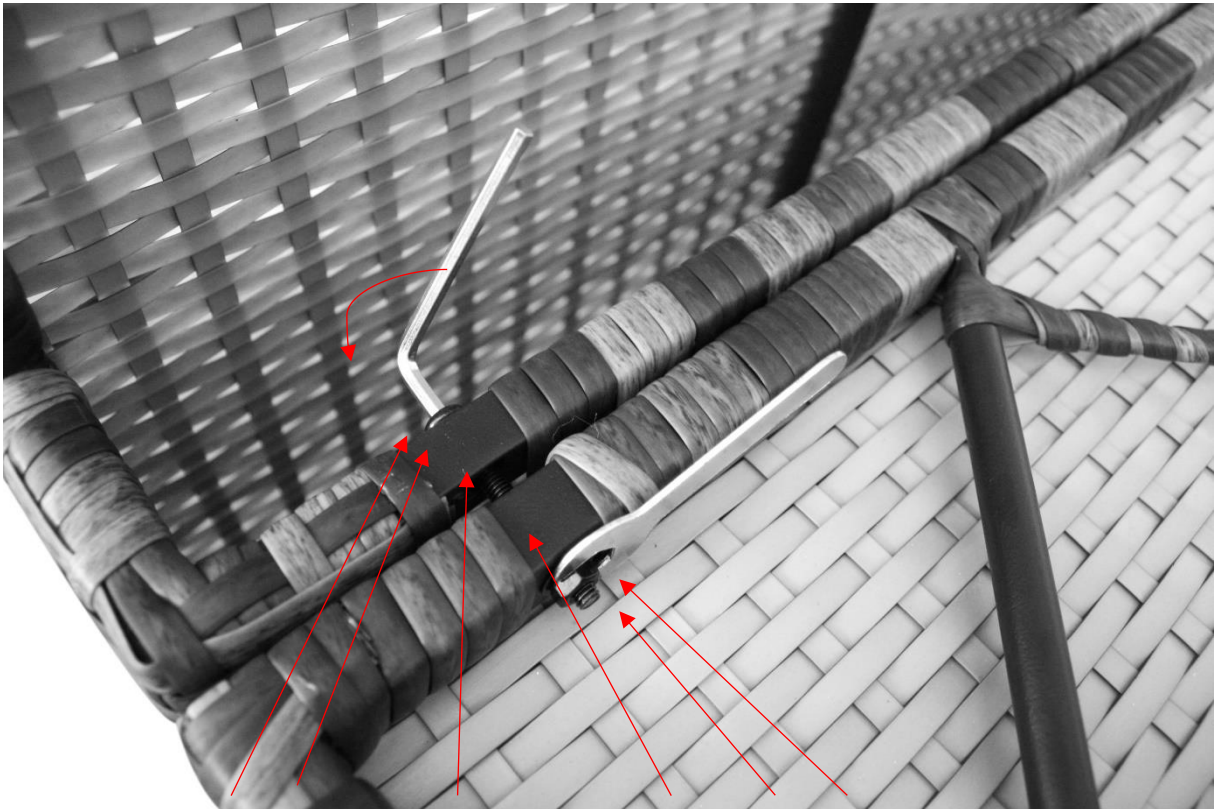


6. Before tightening the screws, make sure that the edges are clean.

Short screws: Use (see picture) if there is a thread in the component (exception for long screws). Tighten the screw clockwise with the hexagon spanner.

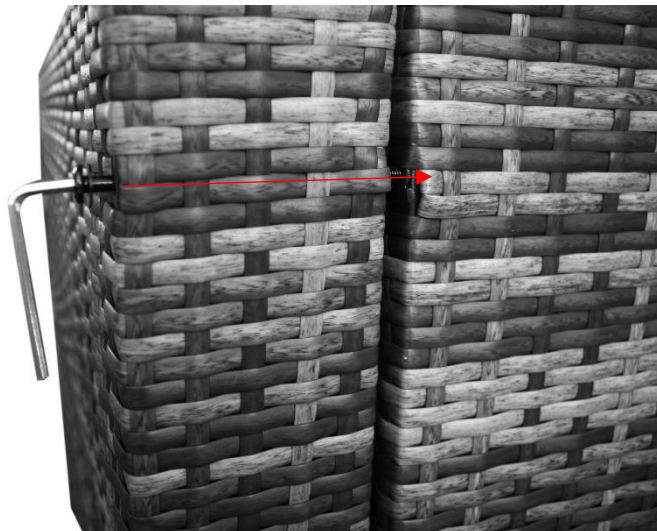


Medium screws: These screws are fixed with two washers (one on each side) and a nut (see picture). Tighten the screw and hold it with the spanner against.



Sequence: Screw, washer, furniture part 1, furniture part 2, washer, nut.

Long screws: Use at the top and bottom corners. Place a washer on top of the screw and screw it into the thread of the furniture part with the hexagon key.



Assembly Instruction

Caution:

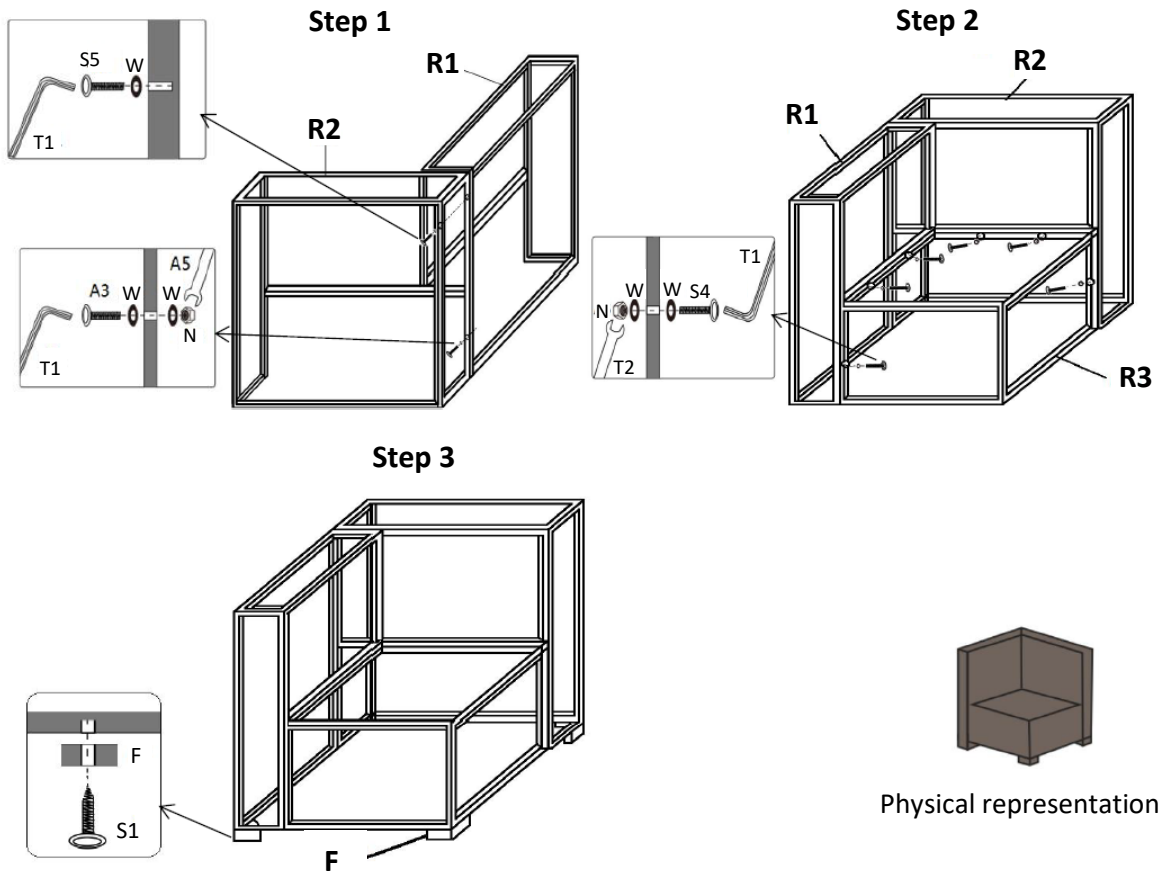
A) Check the package having all item shown in the parts list.

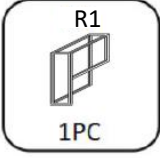
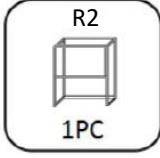
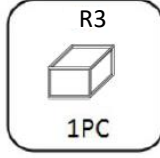
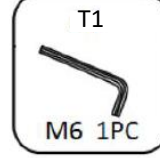
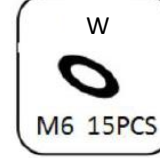
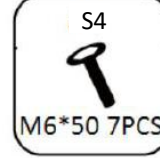
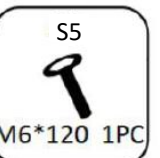
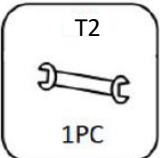
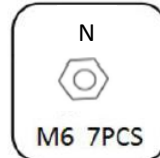
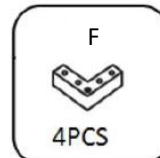
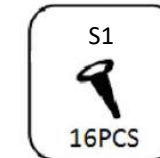
B) Read the instruction before assembling.

Note:

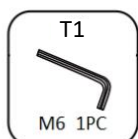
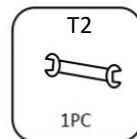
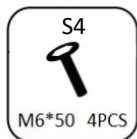
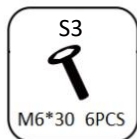
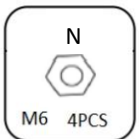
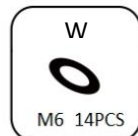
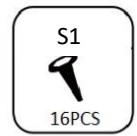
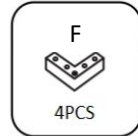
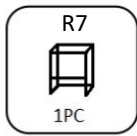
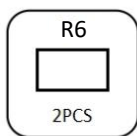
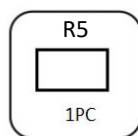
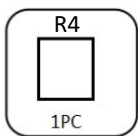
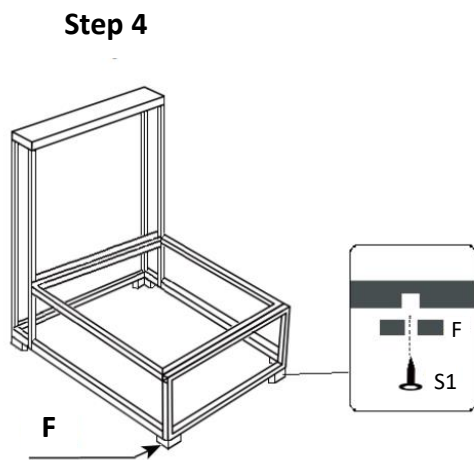
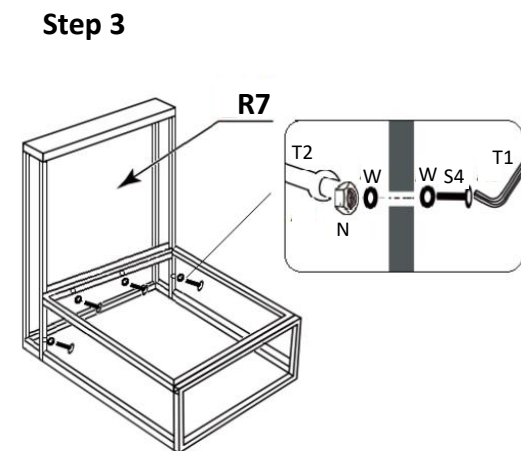
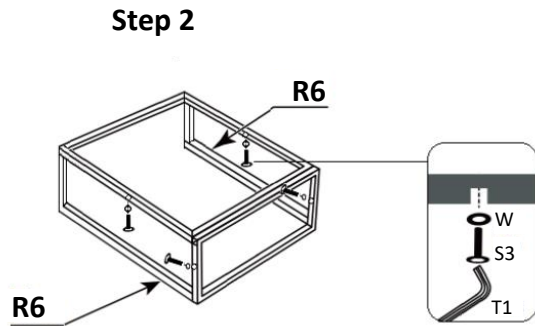
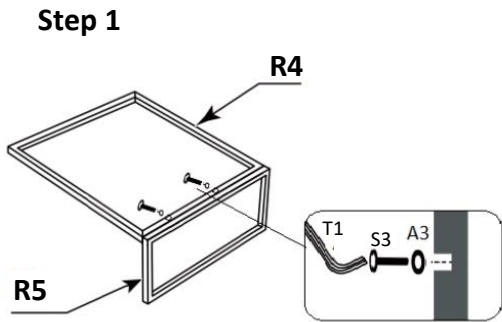
Do not tighten screw completely until assembling is completed!

5.1 Corner Sofa (Parcel 1)



 R1 1PC	 R2 1PC	 R3 1PC	 T1 M6 1PC	 W M6 15PCS	 S4 M6*50 7PCS
 S5 M6*120 1PC	 T2 1PC	 N M6 7PCS	 F 4PCS	 S1 16PCS	

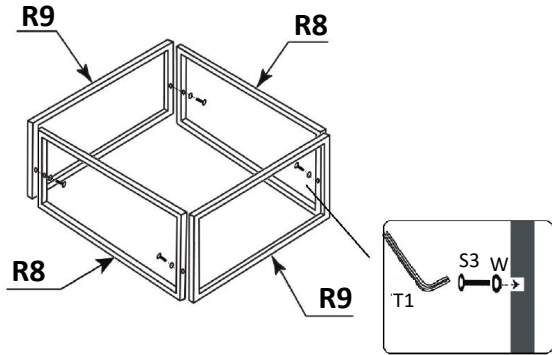
5.2 Armless Sofa (Parcel 2)



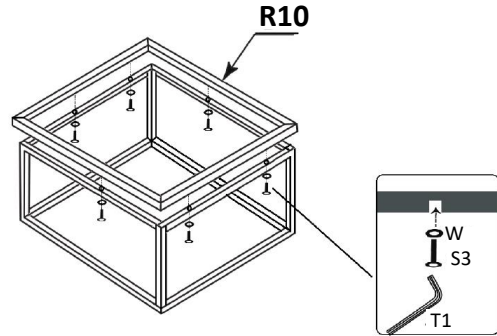
Physical representation

5.3 Stool (Parcel 3)

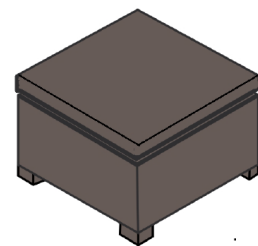
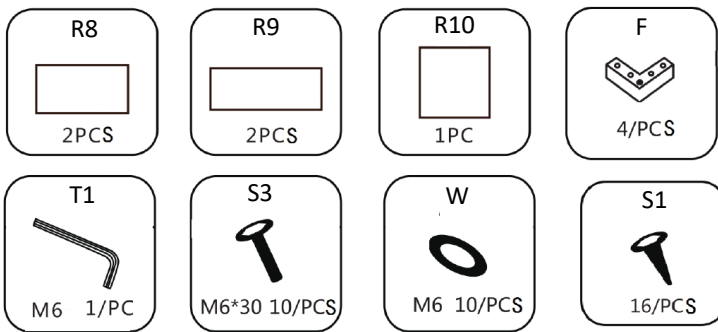
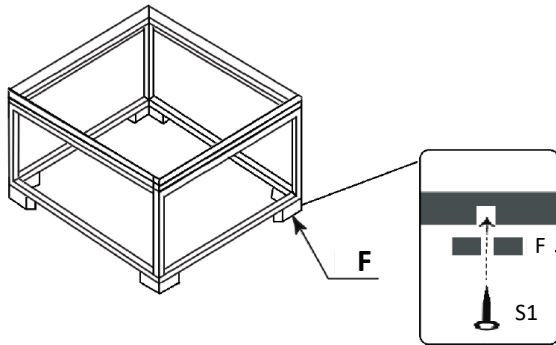
Step 1



Step 2



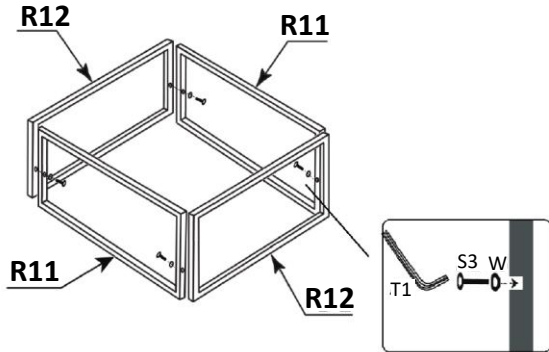
Step 3



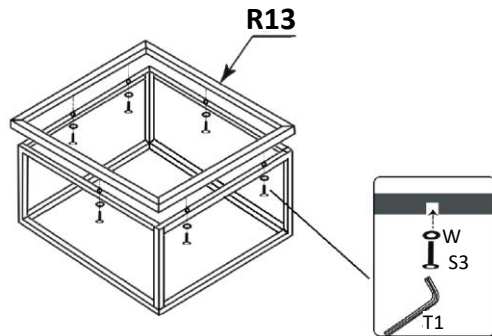
Physical representation

5.4 Coffee Table (Parcel 4)

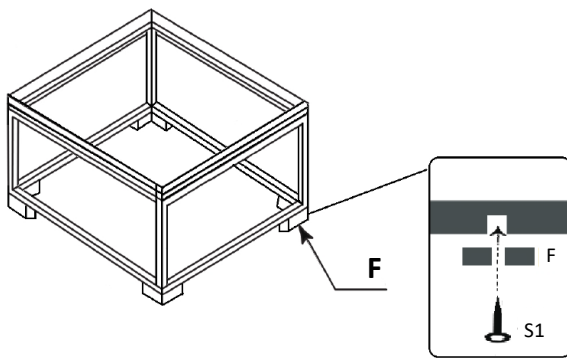
Step 1



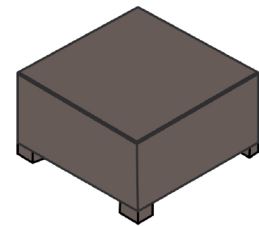
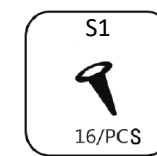
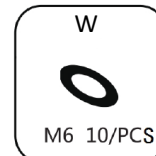
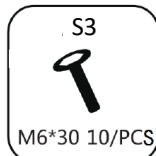
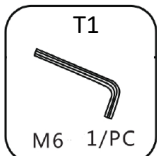
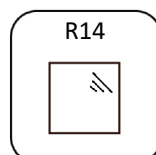
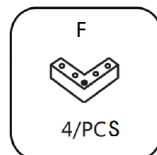
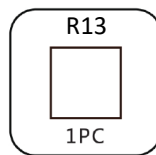
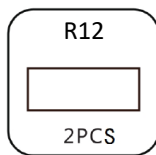
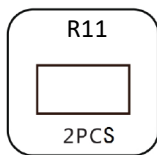
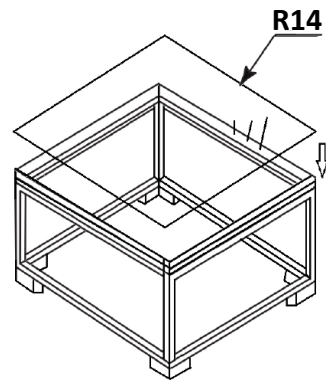
Step 2



Step 3

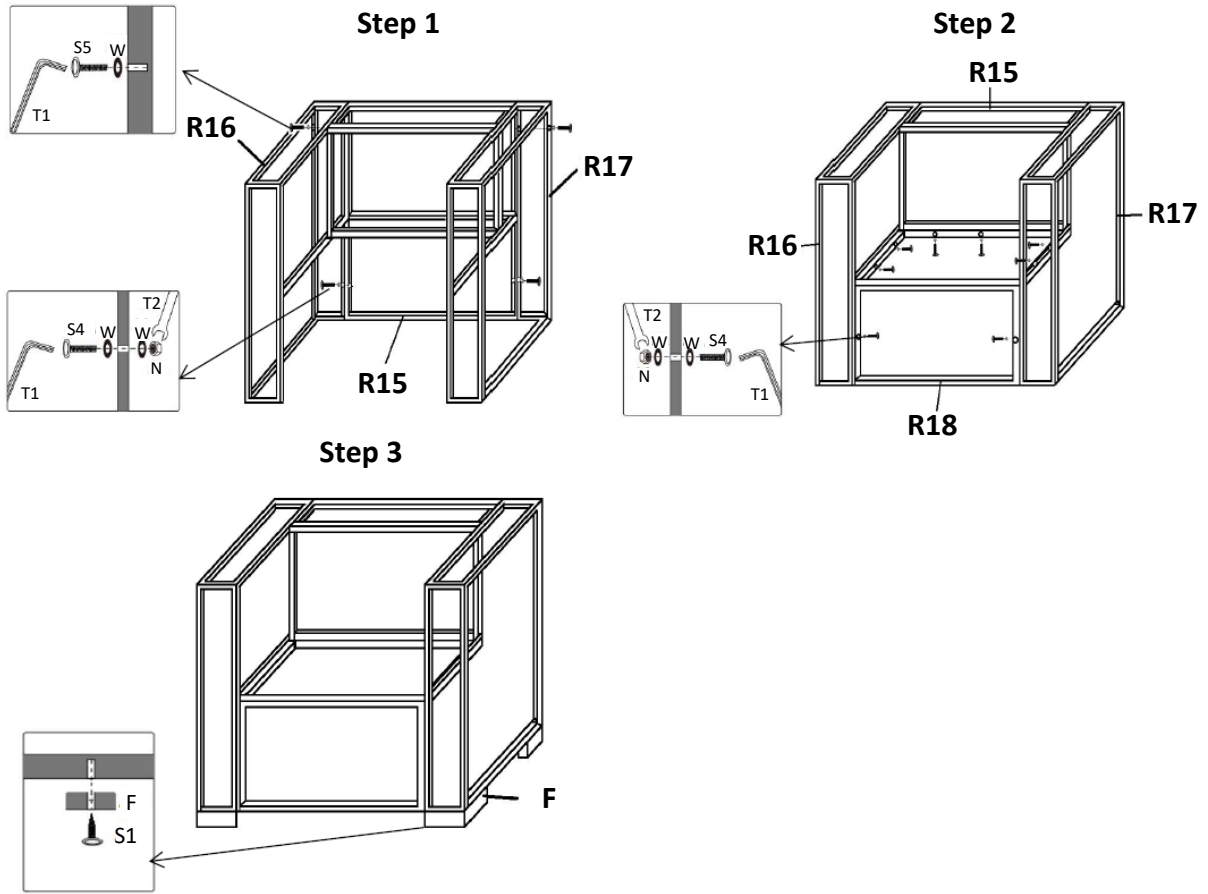


Step 4



Physical representation

5.5 Single Arm Sofa (Parcel 5)



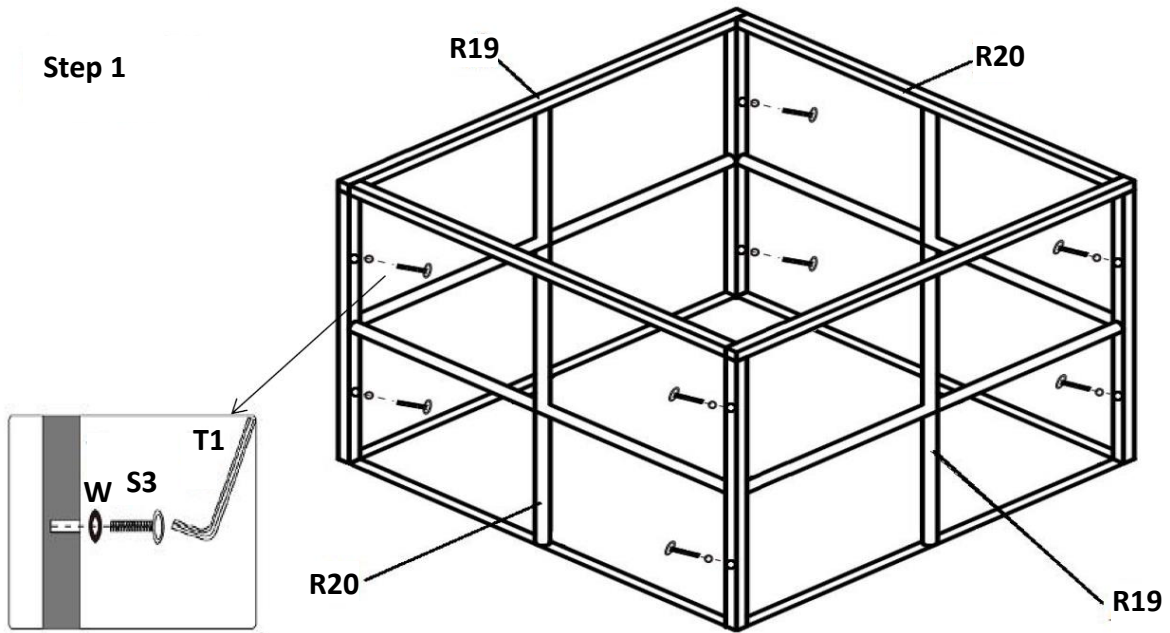
 R15 1PC	 R16 1PC	 R17 1PC	 R18 1PC
 T1 M6 1PC	 W M6 22PCS	 S4 M6*50 10PCS	 S5 M6*120 2PCS
 S1 16PCS	 N M6 10PCS	 T2 1PC	 F 4PCS



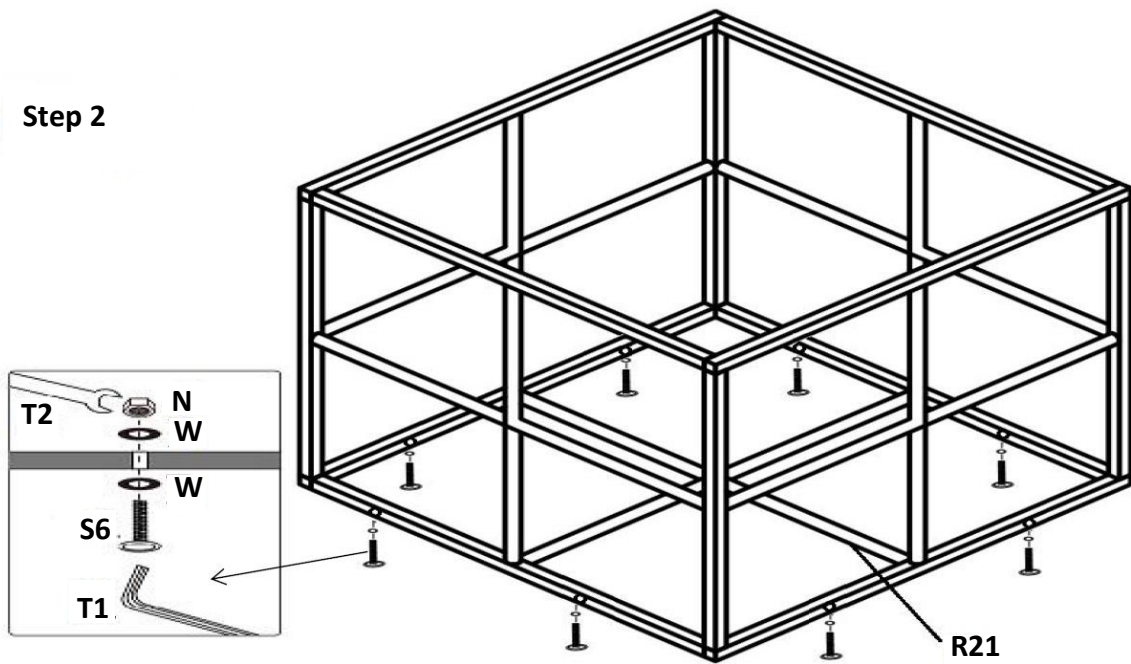
Physical representation

5.6 Storage Box (Parcel 6)

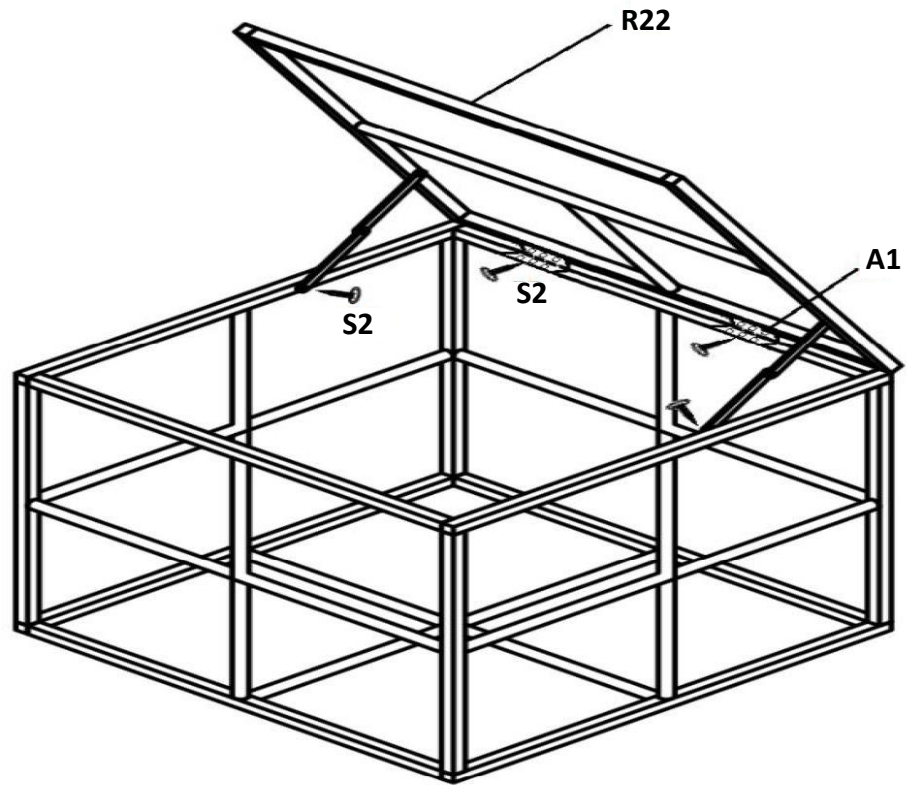
Step 1



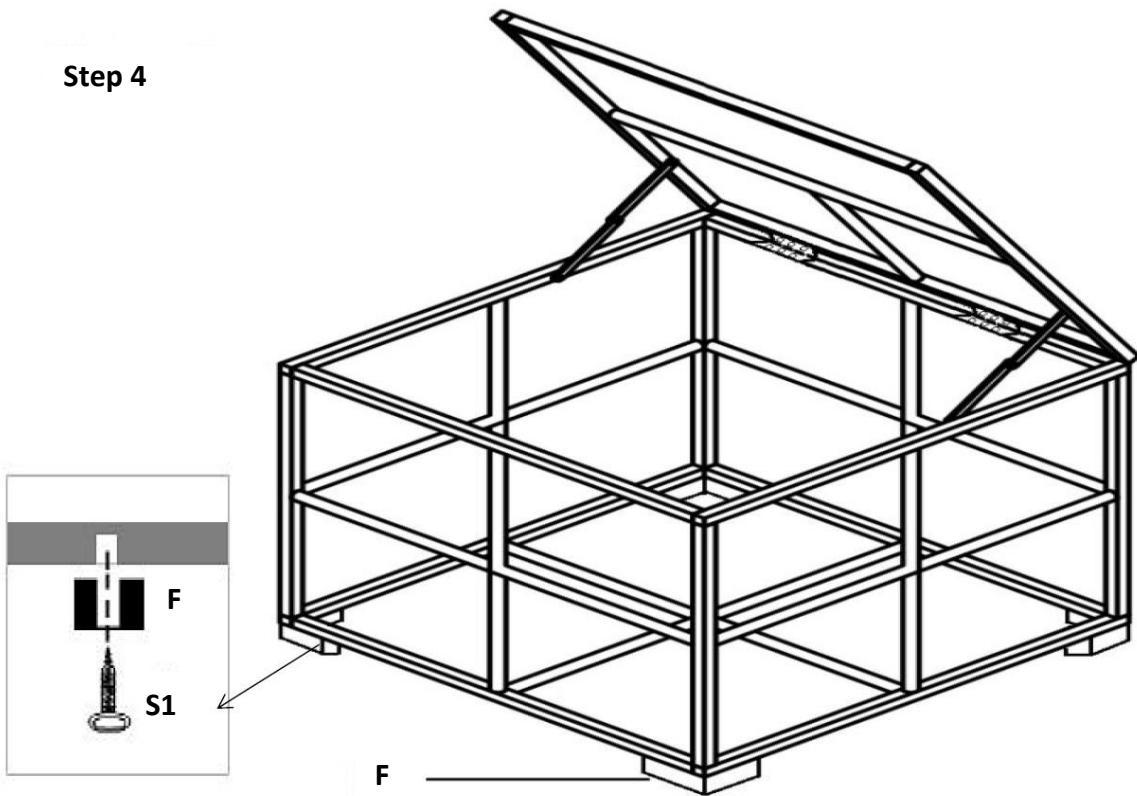
Step 2

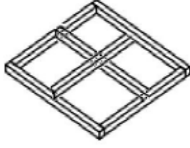
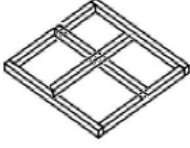
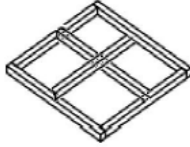

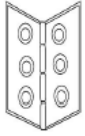











Step 3



Step 4



R19		R20		R21		R22	
							
2PCS		2PCS		1PC		1PC	
A1	S3	S6	S2	W	N	T1	T2
							
2PCS	M6*30 8PCS	M6*55 8PCS	M6*10 10PCS	24PCS	8PCS	1PC	1PC
F	S1						
							
4PCS	M6*32 16PCS						

6. Technical Data

General – Materials: furniture	
Polyrattan	Polyethylene
UV resistant	yes
Water resistant	yes
Frame	Aluminum (powder coated)
General – Materials: fabrics	
Pillow Case	100% Polyester
Thickness upholstery	8cm
Color of Pillow	grey
Coffee Table 70x70x34cm	
Loading Capacity	35kg
Thickness of glass	5mm
Dimension of glass plate	69,5 x 69,5x0,5cm
Armless Sofa	
Measurements	65x75x64cm
Corner Sofa	
Measurements	75x75x64cm
Single Sofa (with two armrests)	
Measurements	85x75x64cm
General	
Loading Capacity	120kg
Backrest height (with upholstery)	ca. 23cm
Seat height (with upholstery)	ca. 42cm
Storage Box	
Measurements	75x75x64,5cm
Storage compartment size	71x71x60cm
Loading Capacity	30kg
Accessories	
Number of stand feet	4
Number of connection clips	2

Imprint

Name of the product: AREBOS Rattan Garden Furniture

	EAN	EAN
Series	grey	black
Palma	4260627425471	4260627425570
Nizza	4260627425488	4260627425587
Barcelona	4260627425495	4260627425594
Lissabon	4260627425501	4260627425600
Porto	4260627425518	4260627425617
San Marino	4260627425525	4260627425624
Seville	4260627425532	4260627425631
Palermo	4260627425549	4260627425648
Granada	4260627425556	4260627425655
Cannes	4260627425563	4260627425662

If this product is modified without our consent, it will void any warranty.

Date/Manufacturer Signature/Location:

Würzburg, 25 March 2022



Signature:

Dipl.-Inform. (Univ.) Korhan Canbolat, Managing Director

Representative of these instructions for use/technical data:

Dipl.-Inform. (Univ.) Korhan Canbolat, Managing Director

Office address:

Canbolat Vertriebs GmbH
Gneisenaustraße 10-11
D-97074 Würzburg

Return address can be found in the imprint: <https://www.arebos.de/impressum/>

VAT identification number: DE 263752326

Court of the Commercial Register is Würzburg, HRB 10082

WEEE Reg.-No. DE 61617071