

AREBOS

Solar shower with thermometer (20L)

AR-HE-SD20LF



Please follow all security measures in this user's manual to ensure a secure use.



Thank you for trusting in AREBOS.

List of content

1. Safety instructions.....	3
1.1 Explanation of the symbols	3
1.2 General instructions	3
2. Parts list	4
3. Installation	5
4. Use	6
4.1 First Use	6
4.2 Notes on use.....	6
4.3 After use	7
4.4 Winterization.....	7
5. Technical specifications	7
6. Disposal Instruction	8
6.1 Disposal of the packaging.....	8
6.2 Disposal of waste equipment.....	8
EU Declaration of Conformity	9

Please read and save these instructions. Read through this user's manual carefully before using product. Protect yourself and others by observing all safety information, warnings and cautions. Failure to comply with instructions could result in personal injury and/or damage to product or property. Please retain instructions for future reference.

1. Safety instructions

1.1 Explanation of the symbols



By means of a CE marking, it can be recognized that a product complies with the legal requirements of European legal standards and therefore may be traded within the European Community.



Caution! Read the safety instructions carefully. Failure to follow the safety precautions could result in serious injury or damage. Keep the manual well!



Caution! Hot surface!

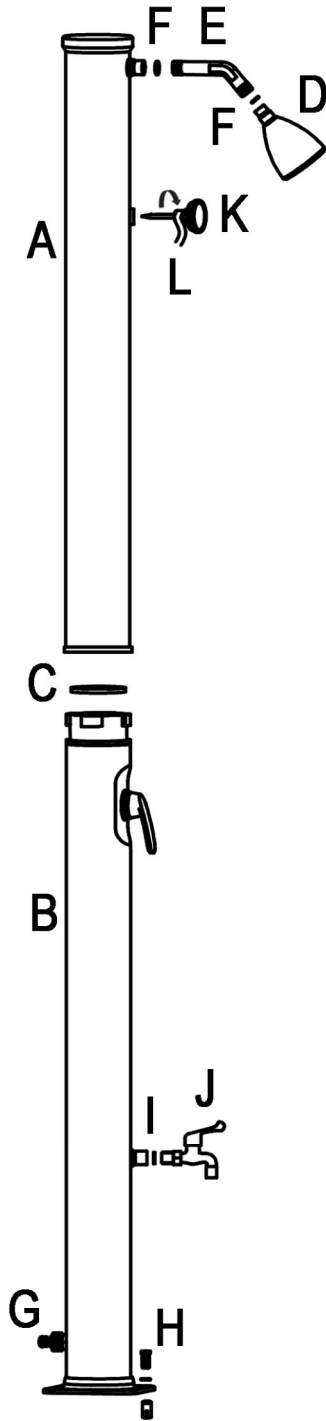




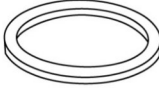


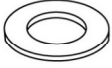
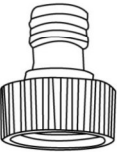
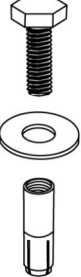

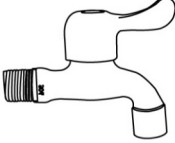
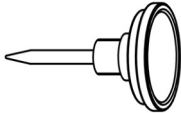

Caution! Hot water!

1.2 General instructions

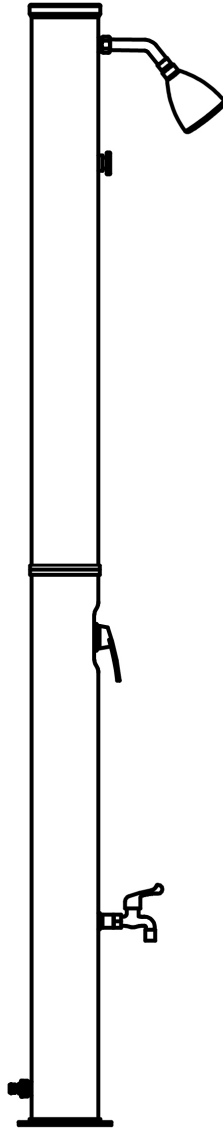
- Chose a position for the shower where solar irradiation is as high as possible.
- Attach the shower to a concrete slab or a wooden foundation using the four threaded sleeves, four screws and four washers.
- Do not use road salt or other antifreeze, which might damage the shower. If you do use antifreeze, your warranty will be void.
- Recommended water pressure: 3.5 bar
- In order to avoid scald, always set the shower handle on cold water (blue) before taking a shower.
- Children should always be supervised by adults so that they do not scald themselves.
- Water temperature can reach up to 60°C with high solar irradiation. In order to avoid scald, make sure that shower handle is always set on cold water (blue) before taking a shower. That is why children should always be supervised by adults when using the shower so that they do not scald themselves

2. Parts list

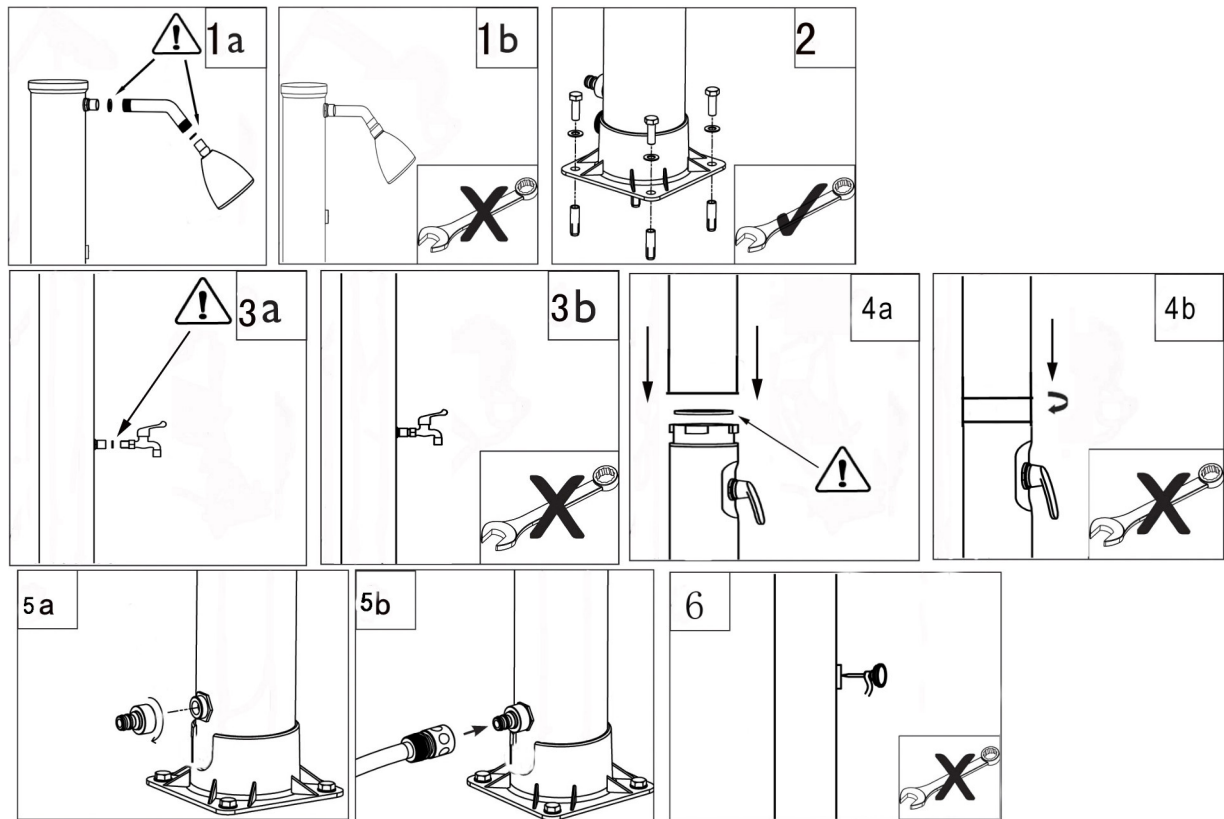


<p>A</p>  <p>1x</p>	<p>B</p>  <p>1x</p>	<p>C</p>  <p>Ø 80 mm</p> <p>1x</p>
<p>D</p>  <p>1x</p>	<p>E</p>  <p>1x</p>	<p>F</p>  <p>Ø 19 mm</p> <p>2x</p>
<p>G</p>  <p>1x</p>	<p>H</p>  <p>4x</p>	<p>I</p>  <p>Ø 19 mm</p> <p>1x</p>
<p>J</p>  <p>1x</p>	<p>K</p>  <p>1x</p>	<p>L</p>  <p>1x</p>

3. Installation



- Set up your solar shower in a place that is exposed to direct sunlight for as long as possible.
- 1. Connect shower head to shower body tube.
NOTE: Do not use a wrench. Do not forget the gasket.
- 2. Mount the shower base to a concrete slab or wood base with four bolts, nuts and gaskets. It is recommended to use a wrench here.
- 3. Connect the tap for foot washing to the shower.
- 4. Put O-ring on the slot of the lower tube. Lift the upper tube of the shower on the lower tube. Turn locking ring clockwise to securely connect upper tube to lower tube.
NOTE: Handle and shower head need to face the same direction.
- 5. Connect hose adaptor to inlet of shower, then connect garden hose to the hose adaptor and the water supply.
- 6. Put some teflon tape on the thread of thermometer. Then connect thermometer to shower by hand.



4.1 First Use

1. Turn the shower handle to **FULL ON HOT** position.
Note: Filling the tube with the valve in hot position ensures no air pockets are trapped in shower. This procedure is used for first usage only.
2. Turn on the water supply to the garden hose to fill the shower. It will take about 5 minutes to fill up the shower.
3. When water flows from the shower head, turn the shower handle off. Turning shower handle off makes water begin to heat in the tube.
4. Depending on sunlight and outside temperature, the shower will take about three hours to fully heat water.
5. **Warning:** To avoid scald, pay attention to turning the shower handle to **cold water (blue)** direction before using the shower. Then set to desired temperature.

4.2 Notes on use

- Attention: If you have not used the solar shower for more than 3 days, we recommend that you run the water for 2 minutes before use to replace the water in the solar tank. Standing water in a warm environment can be a centre for dangerous bacteria!
 Attention: Standing water in the tank no longer corresponds to drinking water quality!
 - Caution: The water in the solar tank can become hot due to sunlight. We therefore recommend that the cold/warm single-lever mixer tap is always positioned in the middle position (between hot and cold) at the beginning. Then it can be turned to the desired temperature.
1. Turn the cold/warm single-lever mixer tap to the "ON" position and you can enjoy your "solar" heated water. Note: The water supply must be turned on for the shower to work.
 2. turn off the water supply to the shower when you are finished.

4.3 After use

- The shower does not have an aqua-stop. Accordingly, the supply must be turned off after use.

4.4 Winterization

1. Turn off and disconnect garden hose.
2. Open the handle to **FULL ON HOT** position and allow water to drain from hose adaptor (about 8 minutes).
Note: Do not turn shower handle while draining water, otherwise water will stop draining.
3. Turn locking ring counterclockwise to separate upper tube and lower tube. Unbolt lower shower tube and pour remaining water out of tube.
4. Clean and dry the shower parts. Move shower from outdoor to indoor. Store it in a dry and warm place during winter season, and prevent it from frostbite.

NOTE:

- Do not use salt or other anti-freezing methods.
- Recommended water pressure: 3.5 bars.
- Always start your shower from cool to avoid injury.
- When initially using the shower please let water run for several minutes and clean the inner parts of the shower with running water in order to get rid of plastic and oil smell.

5. Technical specifications

Model	AR-HE-SD20LF
Volume of water tank	20 l
Water temperature	Max. 140° F (60° C)
Material	Plastic, chrome plated
Size of the shower	87 in (221 cm)
Size mounting plate of the shower	5.91 x 5.91 in (15 x 15 cm)
Height of the water tap	39.37 in (100 cm)
Height of the showerhead	78.74 in (200 cm)
Diameter shower head	2.76 in (7 cm)
Water pressure	3.5 bar
Colour	Black
Net weight	13.23 lbs (6 kg)

6. Disposal Instruction

6.1 Disposal of the packaging

- Please make reference to the guidelines and standards for appropriate disposal of the packaging valid in your region. In part, the package may consist of plastic bags - watch this respect, with special care to ensure that this is not out of the reach of children. There is a risk of suffocation!

6.2 Disposal of waste equipment

- Equipment must be disposed of in accordance with the rules and regulations of the local waste disposal.
- At the end of the long life of your article, please dispose of the valuable raw materials for proper disposal so that proper recycling can take place. If you are not sure how to proceed, the local waste disposal companies or recycling centers are happy to help.

Our customer service number: +49 (0) 931-45232700

Canbolat Vertriebs GmbH • Gneisenastraße 10-11 • 97074 Würzburg

EU Declaration of Conformity

We,

Canbolat Vertriebs GmbH, Gneisenaustraße 10-11, 97074 Würzburg, Germany,

Hereby declare that the product named below, seen its design and construction as well as according to our sales, has been complied with the relevant and basic health and safety EU-requirements.

Name of the product: Solar Shower with thermometer

Model Nr.: AR-HE-SD20LF

Art. Nr.: 4260627426331

If the product has any modification not allowed by us, this declaration loses its validity.

Tested after:

2001/95/EC (General Product Safety)

Date/Manufacturer Signature/Location:

Würzburg, 12.11.2021



Identification of the signatory:

Korhan Canbolat, head of the company

Authorised representative for the technical documentation:

Korhan Canbolat

Office address:

Canbolat Vertriebs GmbH

Gneisenaustraße 10 – 11

D-97074 Würzburg

TEL: +44 208 068 5604

FAX: +49 931 4523 2799

Email: Info@arebos.de

Return address can be found in the imprint: <https://www.arebos.de/impressum/>

VAT identification number: DE 263752326

Court of the Commercial Register is Würzburg, HRB 10082

WEEE Reg.-No. DE 61617071