

# AREBOS

## Solar Shower (Round Head)

AR-HE-SD37RT



Please follow all security measures in this user's manual to ensure a secure use.



Thank you for trusting in AREBOS.

# List of contents

<b>1. Safety instructions .....</b>	<b>3</b>
1.1 Explanation of the symbols .....	3
1.2 General instructions .....	3
<b>2. Assembly .....</b>	<b>4</b>
<b>3. Use .....</b>	<b>5</b>
3.1 First Use .....	5
3.2 Winterization .....	5
<b>4. Parts list .....</b>	<b>6</b>
<b>5. Technical specifications .....</b>	<b>7</b>
<b>6. Disposal Instruction .....</b>	<b>7</b>
6.1 Disposal of the packaging .....	7
6.2 Disposal of waste equipment .....	7
6.3 Meaning of the "dustbin" .....	7
<b>EU Declaration of Conformity .....</b>	<b>8</b>

Please read and save these instructions. Read through this user's manual carefully before using product. Protect yourself and others by observing all safety information, warnings and cautions. Failure to comply with instructions could result in personal injury and/or damage to product or property. Please retain instructions for future reference.

# 1. Safety instructions

## 1.1 Explanation of the symbols



By means of a CE marking, it can be recognized that a product complies with the legal requirements of European legal standards and therefore may be traded within the European Community.



**Caution!** Read the safety instructions carefully. Failure to follow the safety precautions could result in serious injury or damage. Keep the manual well!



**Caution!** Hot surface!

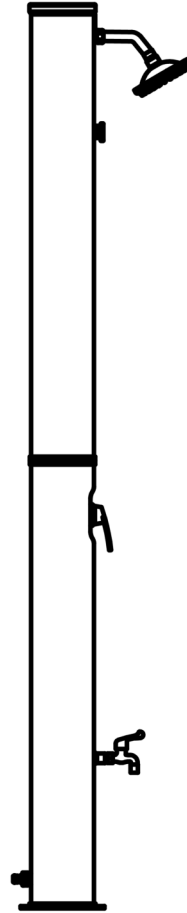


**Caution!** Hot water!

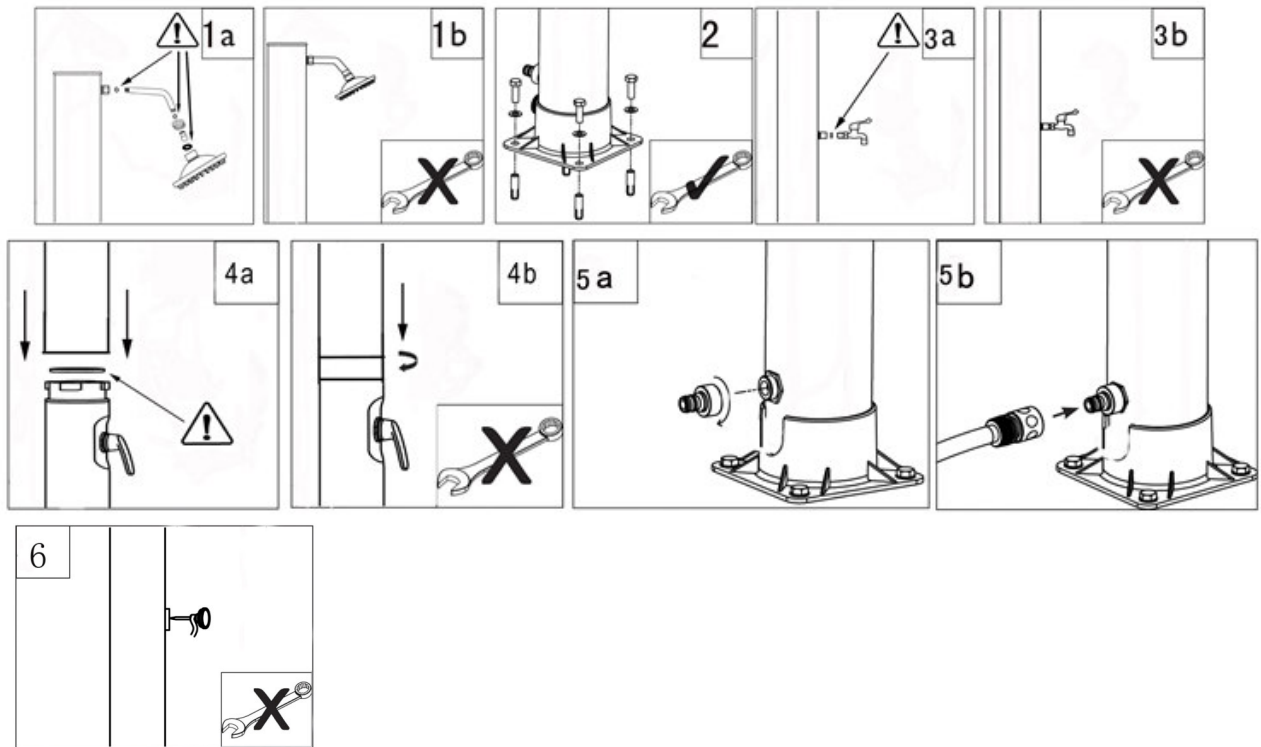
## 1.2 General instructions

- Chose a position for the shower where solar irradiation is as high as possible.
- Attach the shower to a concrete slab or a wooden foundation using the four threaded sleeves, four screws and four washers.
- Do not use road salt or other antifreeze, which might damage the shower. If you do use antifreeze, your warranty will be void.
- Recommended water pressure: 3.5 bar
- In order to avoid scald, always set the shower handle on cold water (blue) before taking a shower.
- Children should always be supervised by adults so that they do not scald themselves.
- Water temperature can reach up to 60°C at high solar irradiation. In order to avoid scald, make sure that shower handle is always set on cold water (blue) before taking a shower. That is why children should always be supervised by adults when using the shower so that they do not scald themselves

## 2. Assembly



- Set up your solar shower in a place that is exposed to direct sunlight for as long as possible.
- 1. Connect shower head to shower body tube.  
**NOTE:** Do not use a wrench. Do not forget the gasket.
- 2. Mount the shower base to a concrete slab or wood base with four bolts, nuts and gaskets.  
It is recommended to use a wrench here.
- 3. Connect the tap for foot washing to the shower.
- 4. Put O-ring on the slot of the lower tube. Lift the upper tube of the shower on the lower tube.  
Turn locking ring clockwise to securely connect upper tube to lower tube.  
**NOTE:** Handle and shower head need to face the same direction.
- 5. Connect hose adaptor to inlet of shower, then connect garden hose to the hose adaptor and the water supply.
- 6. Put some teflon tape on the thread of thermometer. Then connect thermometer to shower by hand.



## 3. Use

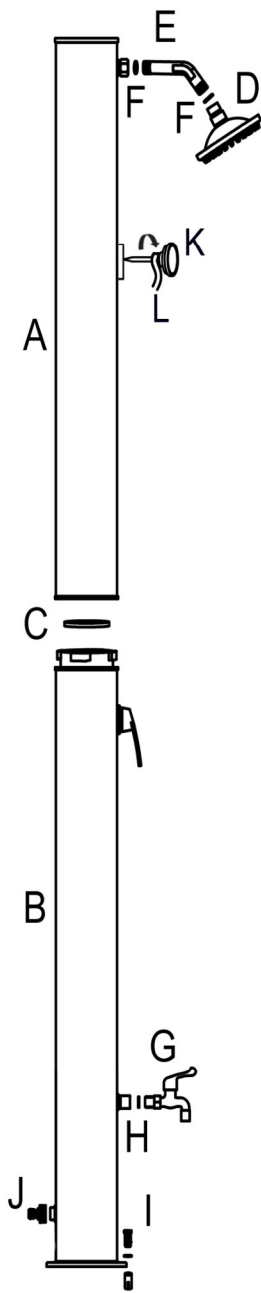
### 3.1 First Use

1. Turn the shower handle to **FULL ON HOT** position.  
**NOTE:** Filling the tube with the valve in hot position ensures no air pockets are trapped in shower. This procedure is used for first usage only.
2. Turn on the water supply to the garden hose to fill the shower. It will take 5 to 6 minutes to fill up the shower.
3. When water flows from the shower head, turn the shower handle off. Turning shower handle off makes water begin to heat in the tube.
4. Depending on sunlight and outside temperature, the shower will take two to three hours to fully heat water.
5. **WARNING:** To avoid scald, pay attention to turning the shower handle to **cold water (blue)** direction before using the shower. Then set to desired temperature.



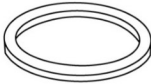
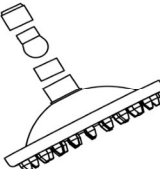

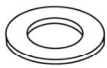
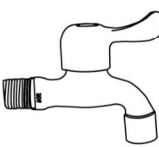



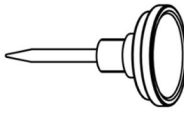

### 3.2 Winterization

1. Turn off and disconnect garden hose.
2. Open the handle to **full on hot position** and allow water to drain from hose adaptor (about 7 to 8 minutes).  
**NOTE:** Do not turn shower handle while draining water, otherwise water will stop draining.
3. Turn locking ring counterclockwise to separate upper tube and lower tube. Unbolt lower shower tube and pour remaining water out of tube.
4. Clean and dry the shower parts. Move shower from outdoor to indoor. Store it in a dry and warm place during winter season, and prevent it from frostbite.

## 4. Parts list



### Teileliste

<b>A</b>  1x	<b>B</b>  1x	<b>C</b>  Ø 115mm 1x
<b>D</b>  1x	<b>E</b>  1x	<b>F</b>  Ø 19 mm 2x
<b>G</b>  1x	<b>H</b>  Ø 19 mm 1x	<b>I</b>  4x
<b>J</b>  1x	<b>K</b>  1x	<b>L</b>  1x

## 5. Technical specifications

<b>Model</b>	<b>AR-HE-SD37RT</b>
Volume of water tank	37 l
Water temperature	Max. 140° F (60° C)
Material	Plastic, chrome plated
Size of the shower	77.56 in (197cm)
Size mounting plate of the shower	7.1 x 7.1 in (18 x 18 cm)
Height of the foot shower	16.73 in (42.5 cm)
Height of the water tap	39.17 in (99.5 cm)
Height of the showerhead	70.87 in (180 cm)
Diameter shower head	5,9 in (15 cm)
Water pressure	3.5 bar
Colour	Silver/black
Net weight	18.56 lbs (8.4 kg)

## 6. Disposal Instruction

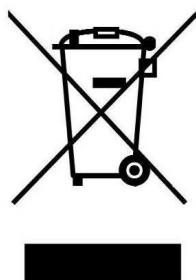
### 6.1 Disposal of the packaging

- Please make reference to the guidelines and standards for appropriate disposal of the packaging valid in your region. In part, the package may consist of plastic bags - watch this respect, with special care to ensure that this is not out of the reach of children. There is a risk of suffocation!

### 6.2 Disposal of waste equipment

- Equipment must be disposed of in accordance with the rules and regulations of the local waste disposal.
- At the end of the long life of your article, please dispose of the valuable raw materials for proper disposal so that proper recycling can take place. If you are not sure how to proceed, the local waste disposal companies or recycling centers are happy to help.

### 6.3 Meaning of the "dustbin"



Protect our environment; electrical appliances do not belong in household waste. Use the provided for the disposal of electrical equipment collection points and enter your electrical and electronic equipment that you no longer use. They help ensure that the potential effects of incorrect disposal on the environment and human health to be avoided. So, do your part to recycle, recycling and other forms of recovery of waste electrical and electronic equipment. Information on where the devices are disposed of, please contact your local authorities or local Governments.

**Our customer service number: +49 (0) 931-45232700**

## EU Declaration of Conformity

We,

Canbolat Vertriebs GmbH, Gneisenaustraße 10-11, 97074 Würzburg, Germany,

Hereby declare that the product named below, seen its design and construction as well as according to our sales, has been complied with the relevant and basic health and safety EU-requirements.

Name of the product: Solar Shower (Round Head)

Model Nr.: AR-HE-SD37RT

Art. Nr.: 4260627421626

If the product has any modification not allowed by us, this declaration loses its validity.

Tested acc. to:

EU Standard

2001/95/EC

Date/Manufacturer Signature/Location:

Würzburg, 12.11.2021



Identification of the signatory:

Korhan Canbolat, head of the company

Authorised representative for the technical documentation:

Korhan Canbolat

**Office address:**

Canbolat Vertriebs GmbH

Gneisenaustraße 10 – 11

D-97074 Würzburg

TEL: +44 208 068 5604

FAX: +49 931 4523 2799

Email: [Info@arebos.de](mailto:Info@arebos.de)

Return address can be found in the imprint: <https://www.arebos.de/impressum/>

VAT identification number: DE 263752326

Court of the Commercial Register is Würzburg, HRB 10082

WEEE Reg.-No. DE 61617071