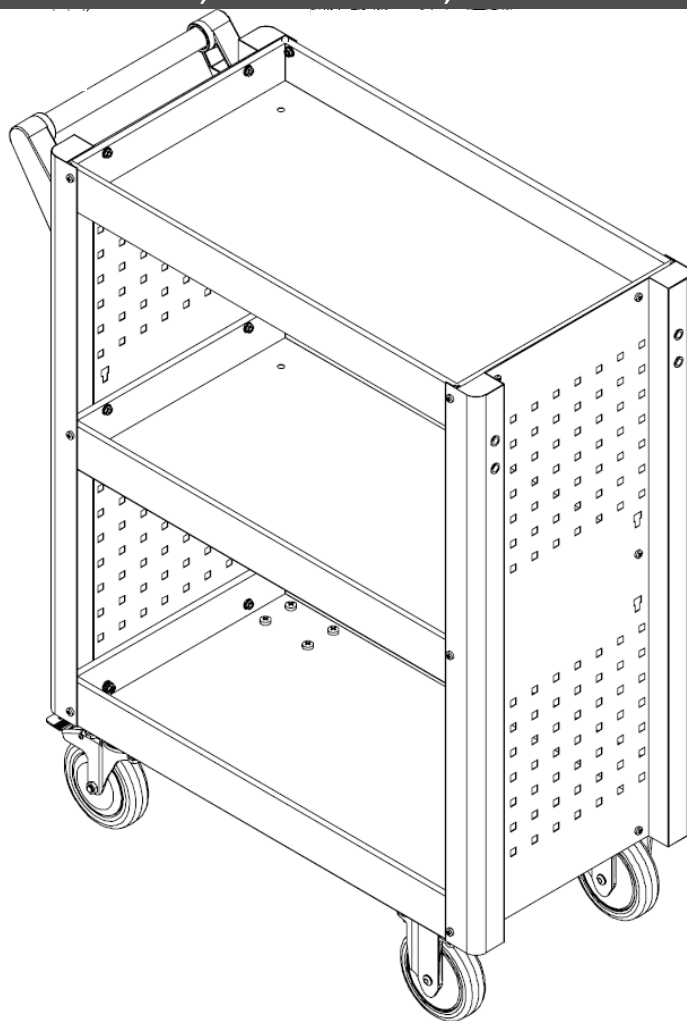


# AREBOS

## Trolley Workshop Wagon 3 Trays

AR-HE-SW3R, AR-HE-SW3B, AR-HE-SW3A



Please follow all security measures in this user's manual to ensure a secure use.

Thank you for trusting in AREBOS.

## Table of Contents

<b>1. Introduction and safety instructions .....</b>	<b>3</b>
1.1 Introduction.....	3
1.2 Explanation of the symbols.....	3
1.3 General safety instructions.....	4
1.4 Specific safety instructions .....	4
<b>2. Use.....</b>	<b>4</b>
2.1 Intended Use .....	4
2.2 Improper Use.....	4
<b>3. Part list.....</b>	<b>5</b>
<b>4. Technical Data .....</b>	<b>6</b>
<b>5. Montage .....</b>	<b>6</b>
<b>6. Environmentally friendly disposal .....</b>	<b>11</b>
6.1 Disposal and packaging.....	11
6.2 Disposal of old equipment.....	11
<b>Imprint .....</b>	<b>12</b>

Thank you for purchasing our product. Please read the operating instructions carefully before using the product for the first time. If you give the product to a third party, this manual must be handed over with it. Keep the instruction manual for future reference. The drawings in this manual may not match the physical objects. Please refer to the physical objects.

# 1. Introduction and safety instructions

## 1.1 Introduction

- These operating instructions are intended to familiarise you with the installation, use and maintenance of the appliance. To install the unit safely and correctly, please read the operating instructions **before** you start.
- Check the unit for any damage that may have occurred during transport. Immediately report any damage to the carrier by which the product was delivered.

## 1.2 Explanation of the symbols



**Warning!** Read the safety instructions carefully. Failure to follow the safety precautions could result in serious injury or damage. Keep the operating instructions in a safe place.



Be careful when using this product.



**Attention Danger of crushing!** Avoid pulling the trolley, especially on slopes, in order to avoid injury.

### 1.3 General safety instructions

- Your safety is of the most importance to us. Please make sure that you read this instruction booklet **before** attempting to install and use the appliance. If you are unsure of any of the information contained in this booklet, please contact the Retailer where you purchased your unit.
- Read all safety and usage instructions. Failure to follow the safety information and instructions can cause injury. Keep all safety and usage instructions for future reference.
- **DO NOT** use the product until you read the instruction manual.
- Make sure you have read the instruction manual thoroughly and understand the contents before you start the installation.
- The instructions are in the interest of your safety.
- Changes that serve technical progress can be made by the manufacturer without prior notice and may not yet be taken into account in the operating instructions.
- Check the Workshop Wagon for completeness and function before putting it into operation!
- Never put a defective or non-functioning Workshop Wagon into operation! Contact the manufacturer or have the unit checked by a qualified specialist.
- Always work with caution and the necessary care!
- Never use excessive force!

### 1.4 Specific safety instructions

- Never use the Workshop Wagon as a climbing aid or climb on it!
- Never exceed the maximum load of the Workshop Wagon.
- Keep children and uninvolved third parties away from the working area.
- Always remove all packing material from the device before using it.
- **Suffocation!** Do not leave the packaging material careless. It could be a dangerous toy for children. Keep packaging parts (foils, plastic bags, polystyrene, etc.) only in places that are not accessible to children, especially infants! Since packaging parts often harbour unrecognisable dangers (e.g. danger of suffocation).
- Never work when you are tired or under the influence of drugs, medication or alcohol.

## 2. Use

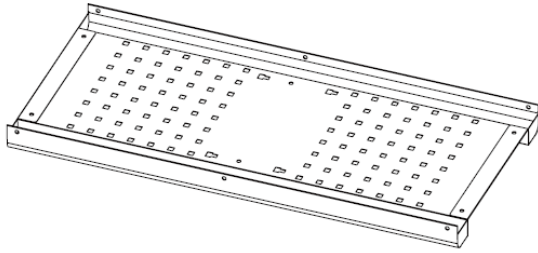
### 2.1 Intended Use

- The Workshop Wagon is suitable for storing tools, fasteners and the like.

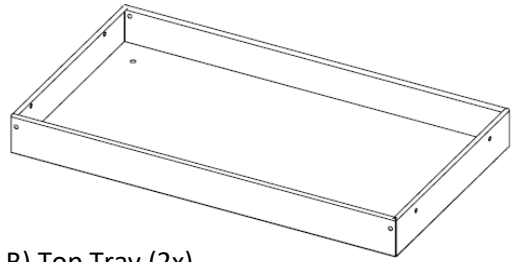
### 2.2 Improper Use

- The Workshop Wagon is not suitable for storing heavy objects or as a climbing aid!
- Unauthorised structural changes such as additions or conversions to the unit are prohibited.
- Any operation other than that described in these instructions is not permitted. Failure to comply with these instructions will invalidate any liability and warranty claims.

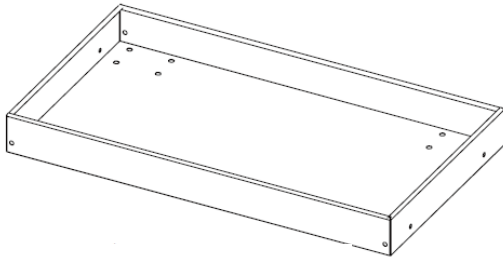
### 3. Part list



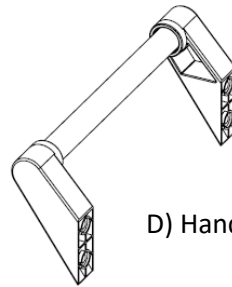
A) Side Panel (2x)



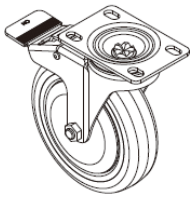
B) Top Tray (2x)



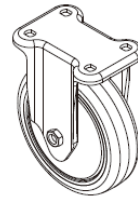
C) Bottom Tray (1x)



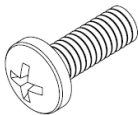
D) Handle (1x)



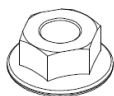
E) Swivel, locking Wheels (2x)



F) Directional Wheel (2x)



G) M8 x 12 Screws (16x)



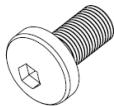
H) M8 Nuts (16x)



I) M6 x 8 Screws (24x)



J) M6 Nuts (24x)



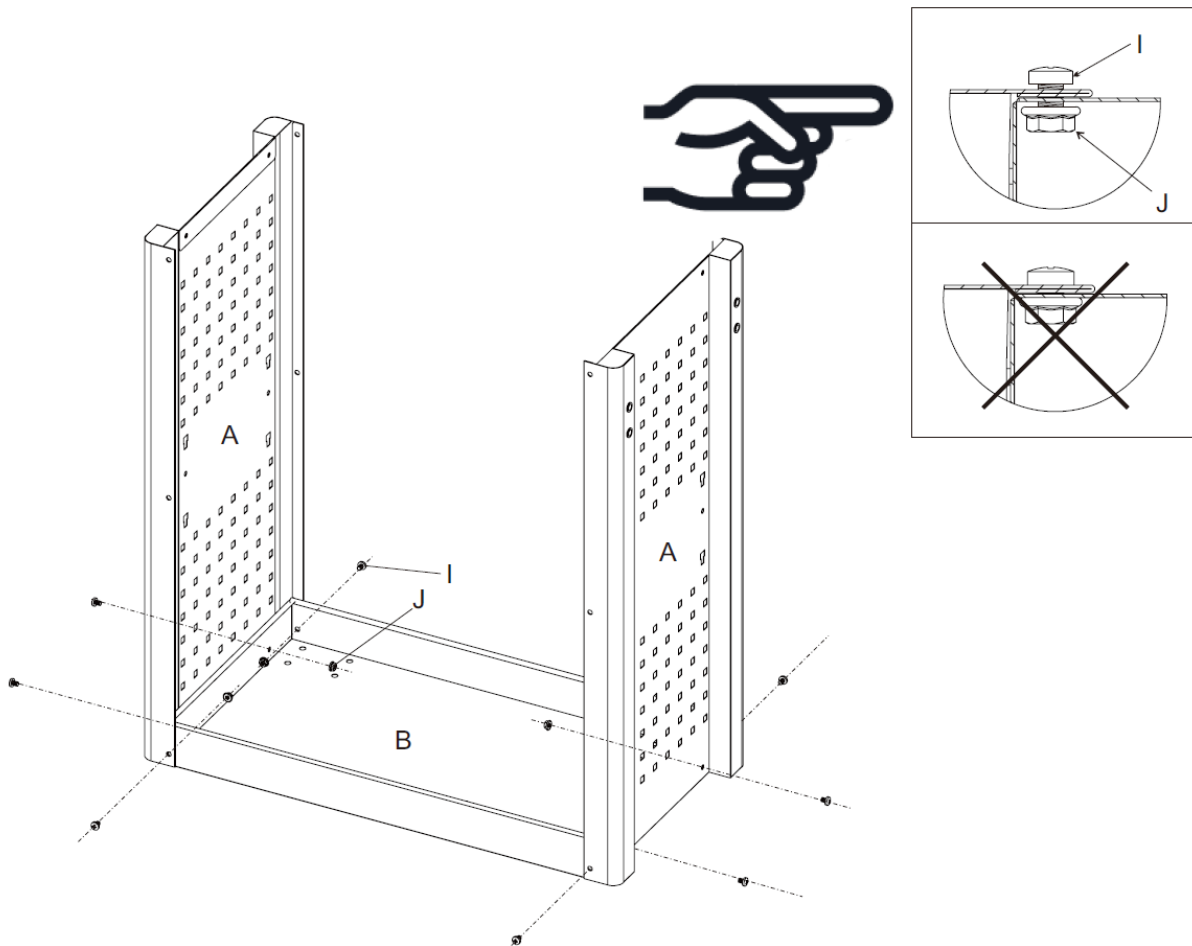
K) M8 x 25 Screws (4x)

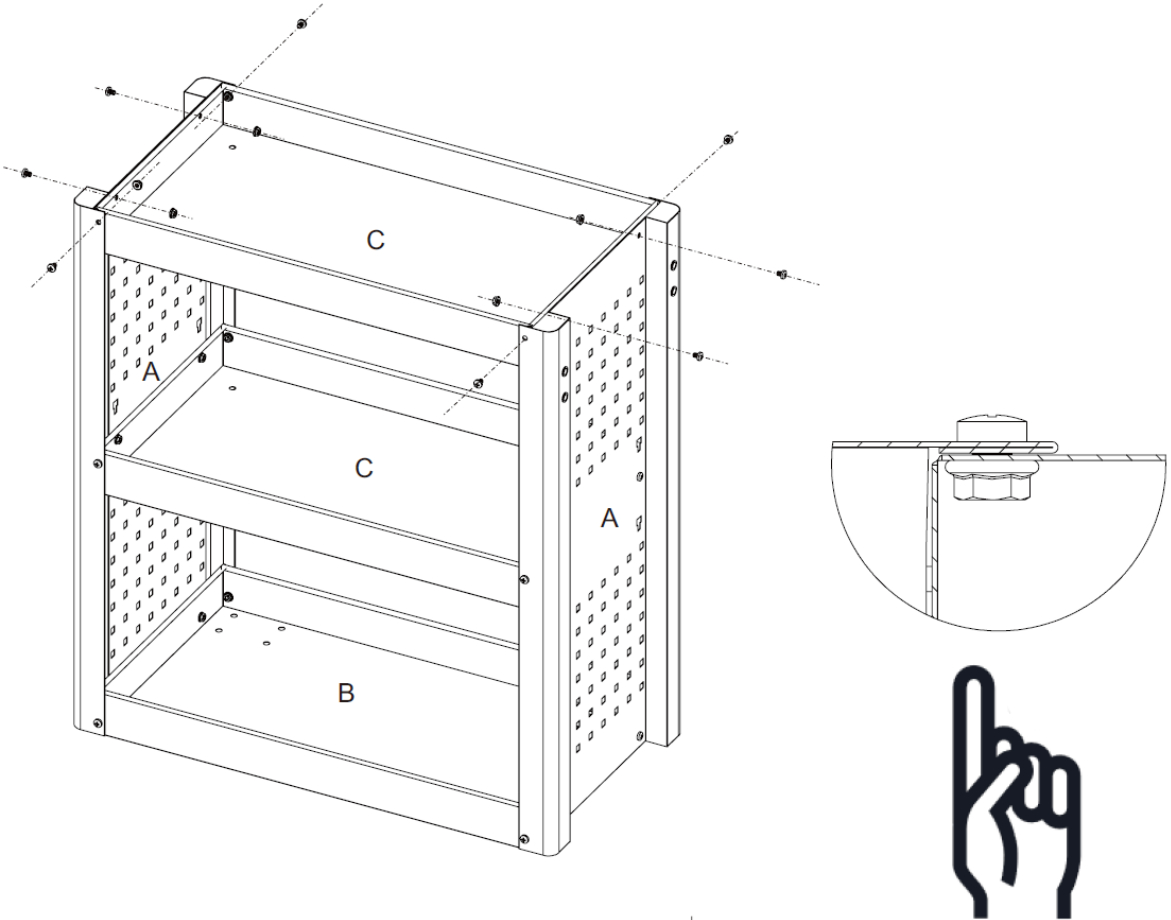
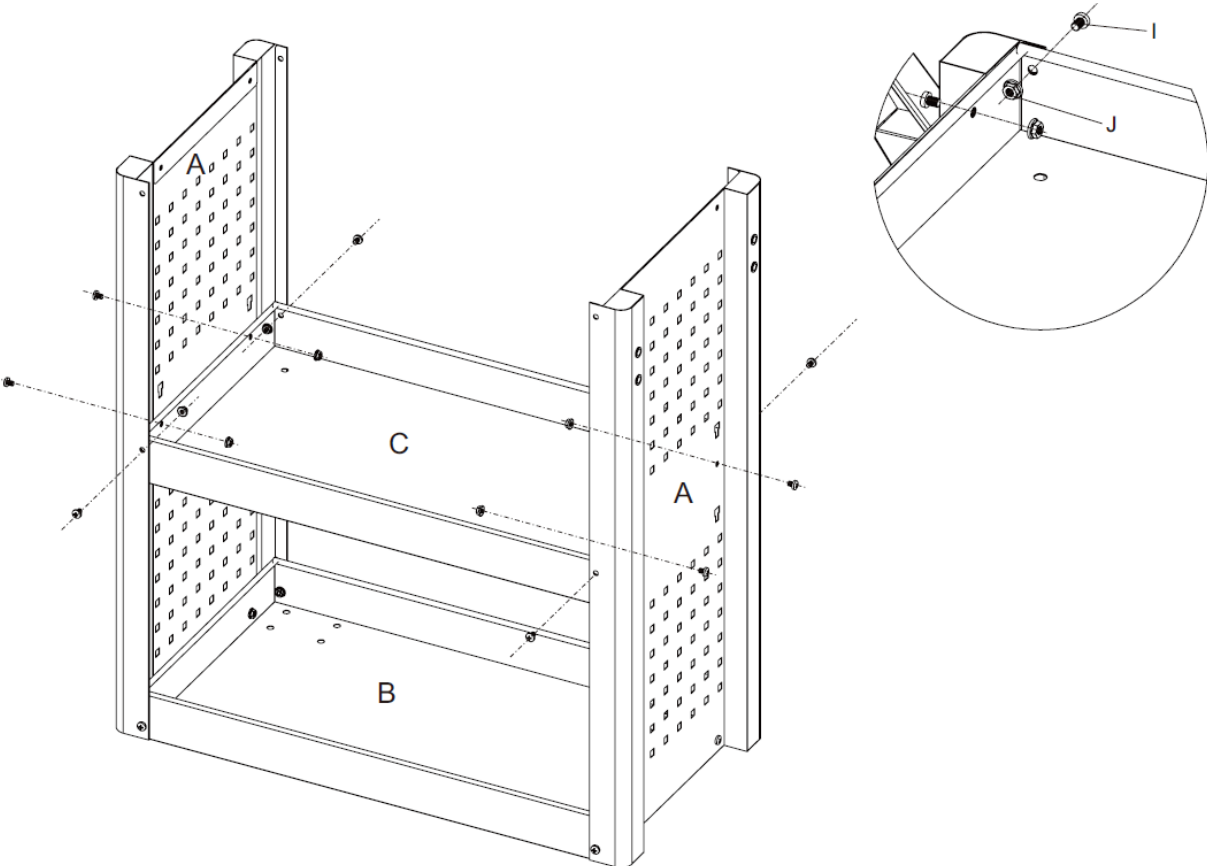
## 4. Technical Data

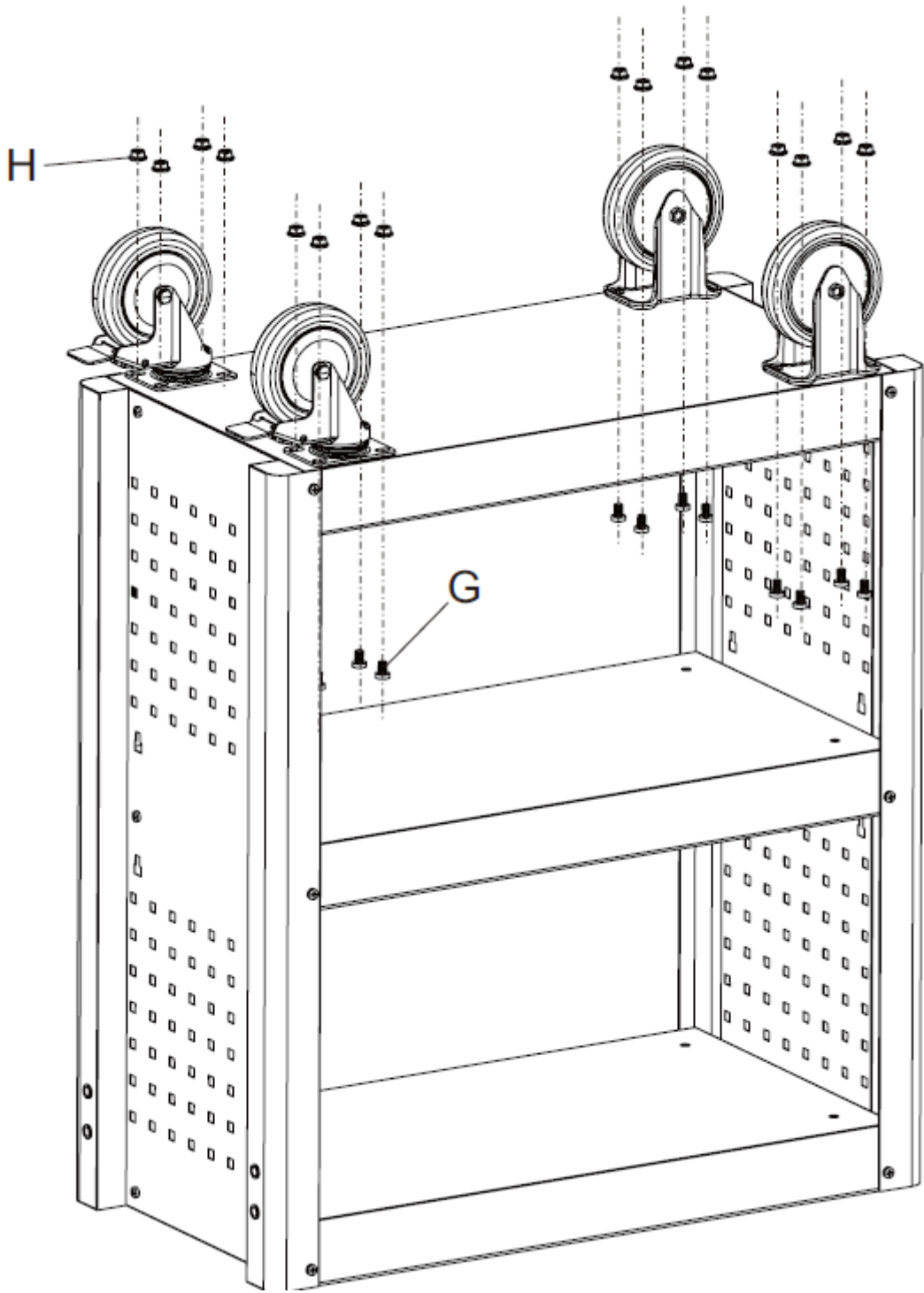
<b>Model</b>	AR-HE-SW3R, AR-HE-SW3B, AR-HE-SW3A
Overall size L x W x H (mm)	845 x 390 x 1010 mm
Number auf Layers	3
Size of compartment tray L x W x H external (mm)	690 x 385 x 70 mm
Max loading capacity (kg)	40 kg / Compartment, total ca.120 kg
Material of cabinet	Powder coated steel
Weight with packaging (kg)	22 kg

## 5. Montage

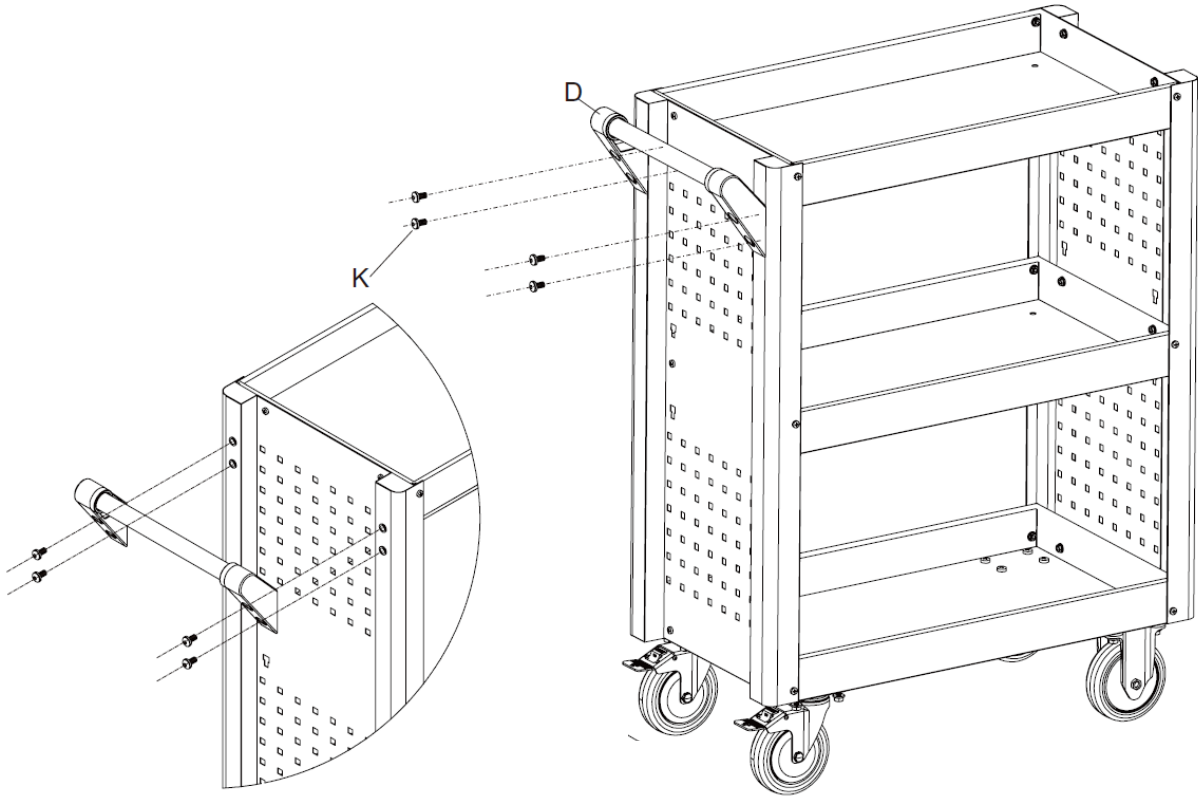
- Use the following sketches and the parts list as an aid to assembly.

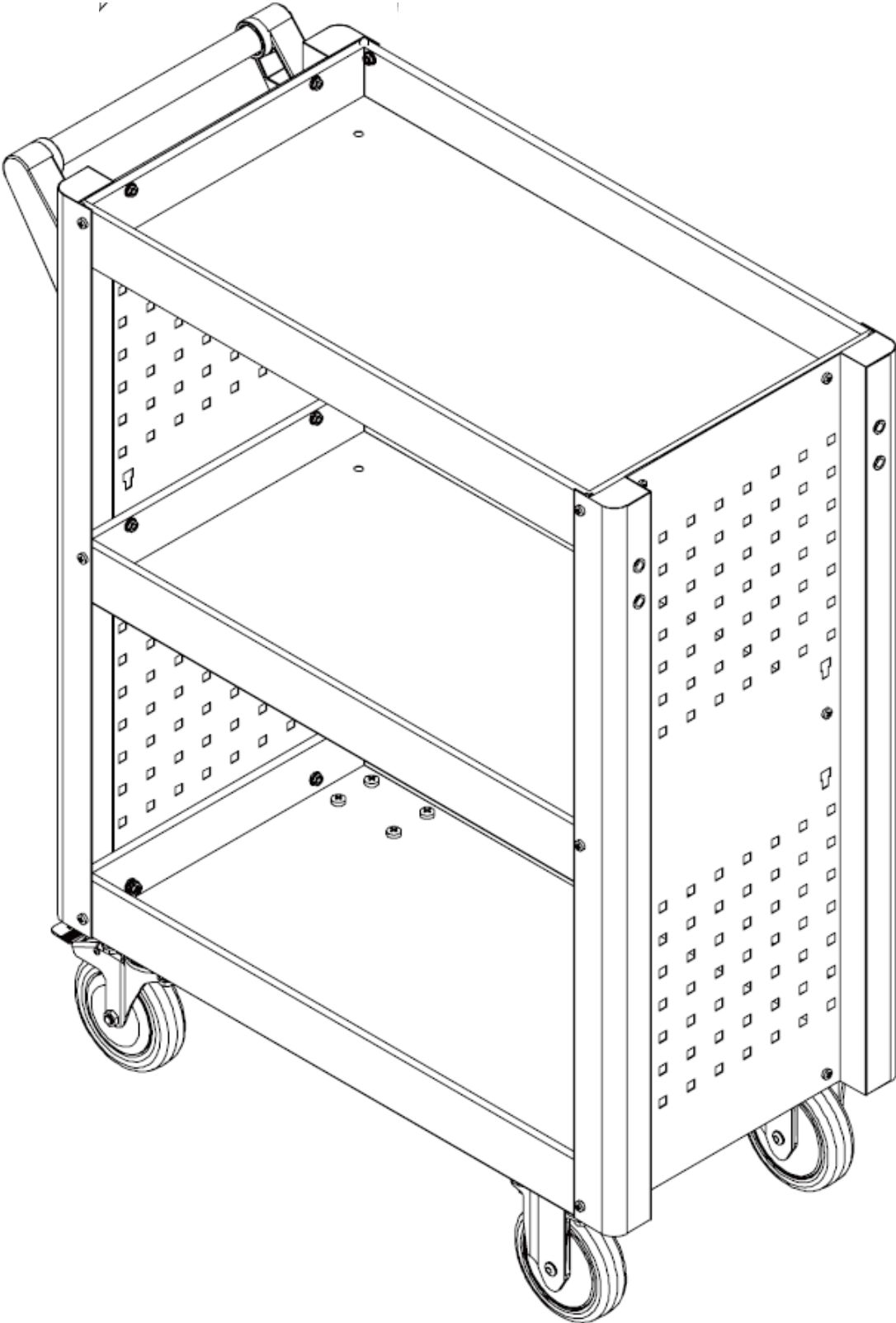












## 6. Environmentally friendly disposal

### 6.1 Disposal and packaging

- The packaging of your unit consists of materials that are necessary to guarantee effective protection during transport. These materials are fully recyclable and therefore reduce the environmental impact. Dispose of the packaging in a bin for recyclable materials.

### 6.2 Disposal of old equipment

- Old appliances must be disposed of in accordance with the guidelines and regulations of the local waste disposal authority. Check with your local administration for the address of the nearest recycling centre and deliver your appliance there.

**Our customer service number: Tel. +44 (0) 208 068 5604**

**Fax: +49 (0) 931 4523 2799 / E-Mail: [info@arebos.de](mailto:info@arebos.de)**

Canbolat Vertriebs GmbH • Gneisenaustraße 10-11 • 97074 Würzburg

## Imprint

Name of the product: AREBOS Workshop Wagon 3 Trays  
Art. Nr.: 4260627428991, 4260627429004, 4260627429011  
Model Nr.: AR-HE-SW3R, AR-HE-SW3B, AR-HE-SW3A

If the product has any modification not allowed by us, this declaration loses its validity.

Date/Manufacturer Signature/Location:

Würzburg, 22 November 2021



Signature:  
Dipl.-Inform. (Univ.) Korhan Canbolat, Managing Director

Representative of these instructions for use/technical data:  
Dipl.-Inform. (Univ.) Korhan Canbolat, Managing Director

**Office address:**  
Canbolat Vertriebs GmbH  
Gneisenaustraße 10-11  
D-97074 Würzburg

Return address can be found in the imprint: <https://www.arebos.de/impressum/>

VAT identification number: DE 263752326  
Court of the Commercial Register is Würzburg, HRB 10082  
WEEE Reg.-No. DE 61617071