

AREBOS

Rattan Sun Lounge "Ibiza"

AR-HE-IBIZA-G/S



Please follow all security measures in this user's manual to ensure a secure use.

Thank you for trusting in AREBOS.

Table of Contents

1. Safety Instructions.....	3
1.1 Explanation of the symbols	3
2. Disposal instruction	3
2.1 Disposal of the packaging.....	3
2.2 Disposal of waste equipment.....	3
3. Content of Delivery	4
4. Assembly.....	5
4.1 Lounge Bed	8
4.2 Coffee Table.....	10
5. Technical Data	14
Imprint.....	15

Please read and save these instructions. Read through this user's manual carefully before using this product. Protect yourself and others by observing all safety information, warnings and cautions. Failure to comply with instructions could result in personal injury and/or damage to product or property. Please retain instructions for future reference.

1. Safety Instructions

1.1 Explanation of the symbols



Warning! Read the safety instructions carefully. Failure to follow the safety precautions could result in serious injury or damage. Keep the operating instructions in a safe place.

2. Disposal instruction

2.1 Disposal of the packaging

- Please make reference to the guidelines and standards for appropriate disposal of the packaging valid in your region. In part, the package may consist of plastic bags - watch this respect, with special care to ensure that this is not out of the reach of children. There is a risk of suffocation!

2.2 Disposal of waste equipment

- Equipment must be disposed of in accordance with the rules and regulations of the local waste disposal.
- At the end of the long life of your article, please dispose of the valuable raw materials for proper disposal so that proper recycling can take place. If you are not sure how to proceed, the local waste disposal companies or recycling centers are happy to help.

Our customer service number: +49 (0) 931-45232700

3. Content of Delivery

PKT Nr.	Qty	EAN	Description	Model	Package Content
Parts	1	4260627425150	Sun Lounge Rattan grey "IBIZA"	AR-HE-IBIZA-G	1x Table 2x Sun Lounge 2x Seating Cushion 2x Neck Cushion 2x Furniture Covers
PKT 1	1	4260627425136	Sun Lounge Rattan grey "IBIZA" Package 1	AR-HE-IBIZA-G1	1x Table 2x Furniture Cover 1x Table Screws Bag 1x Manual
PKT 2	2	4260627425143	Sun Lounge Rattan grey "IBIZA" Package 2	AR-HE-IBIZA-G2	1x Lounger 1x Lounger Cushion 1x Neck Cushion 1X Lounger Screws Bag
Parts	1	4260627425778	Sun Lounge Rattan black "IBIZA"	AR-HE-IBIZA-S	1x Table 2x Sun Lounge 2x Seating Cushion 2x Neck Cushion 2x Furniture Covers
PKT 1	1	4260627425754	Sun Lounge Rattan black "IBIZA" Package 1	AR-HE-IBIZA-S1	1x Table 2x Furniture Cover 1x Table Screws Bag 1x Manual
PKT 2	2	4260627425761	Sun Lounge Rattan black "IBIZA" Package 2	AR-HE-IBIZA-S2	1x Lounger 1x Lounger Cushion 1x Neck Cushion 1X Lounger Screws Bag

4. Assembly

Caution: Fine threads! Do **not** overtighten the screws.

Assembly material



- 6x supporting feet (2 longitudinal feet)
- Screws (short, medium, long)
- Nuts
- Washers
- Tools
- Silver screws, self-tapping

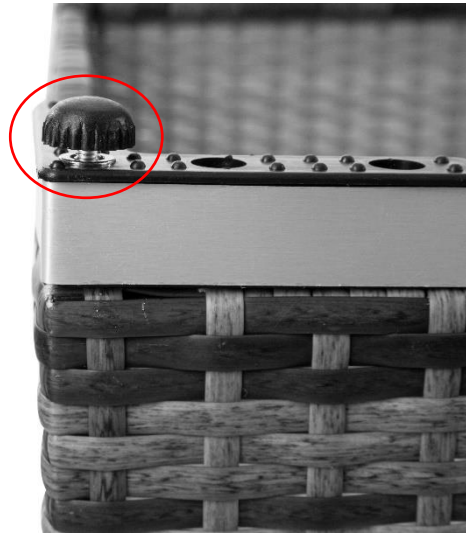
General approach

1. Open the packages and check the scope of delivery (chapter 3)
2. Assemble the components for the assembly
3. Arrange the components according to the structure



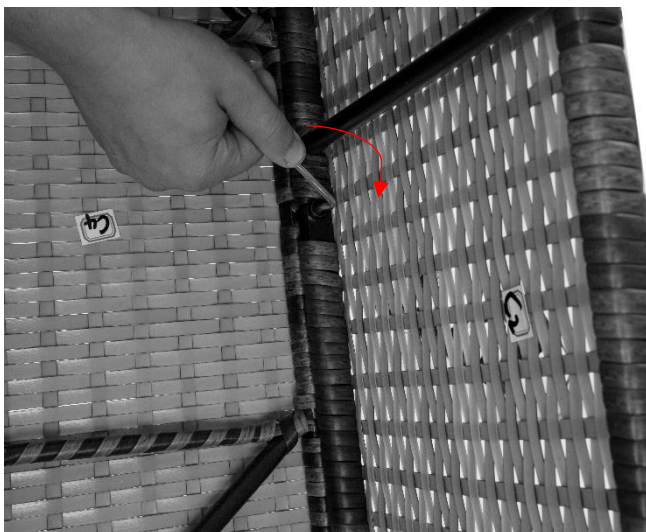
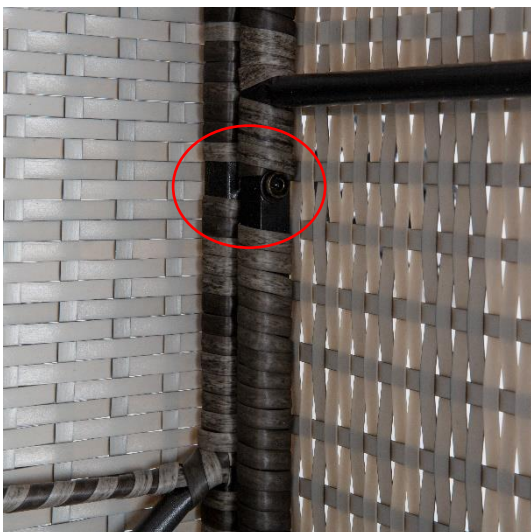
4. Use the short and medium screws according to the following points (pages 6 and 7). Do not (yet) tighten the screws completely. The long screws are not necessary for this set/ are included in the delivery.

- The feet are mounted using the self-tapping screws (4x per foot). The screw with head is used to balance the furniture. The longitudinal feet are mounted at the transition.

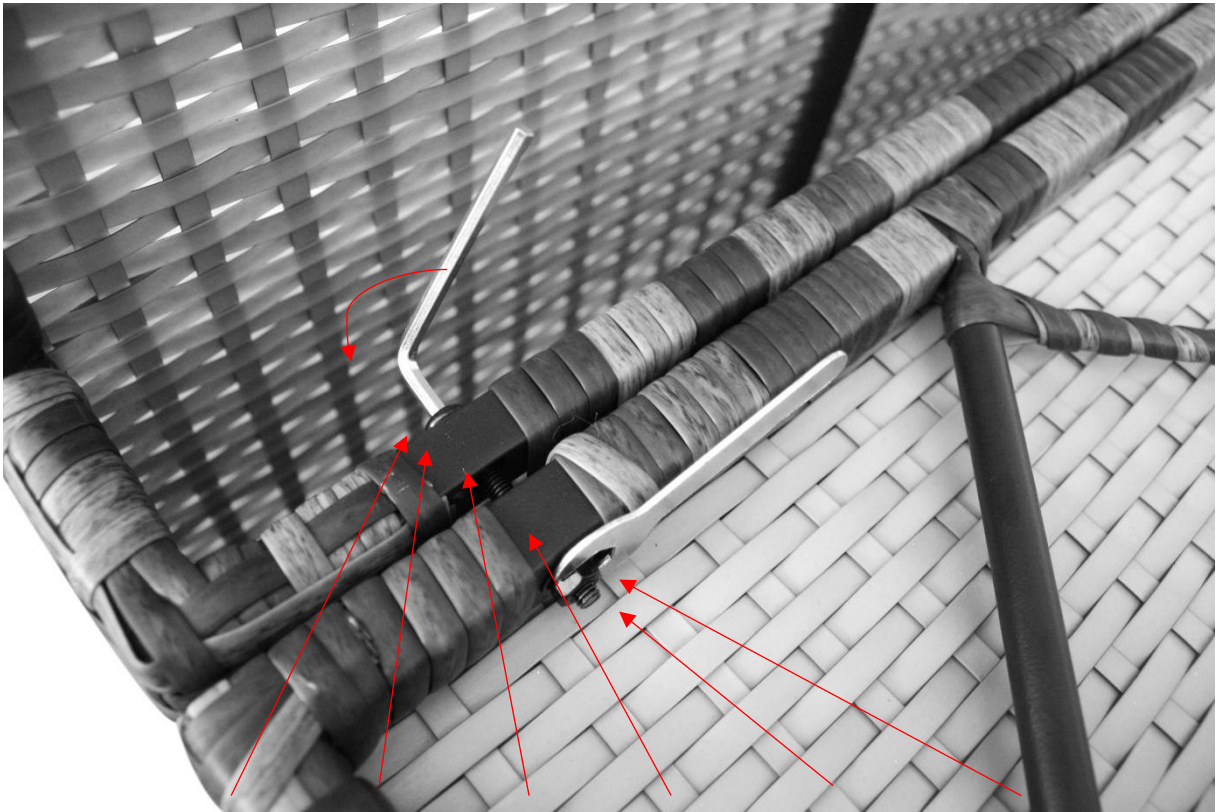


- Before tightening the screws, make sure that the edges are clean.

Short screws: Use (see picture), if there is a thread in the component (exception for long screws). Tighten the screw clockwise with the hexagon spanner.



Medium screws: These screws are fixed with two washers (one on each side) and a nut (see picture). Tighten the screw and hold it with the spanner against.



Sequence: Screw, washer, furniture part 1, furniture part 2, washer, nut.

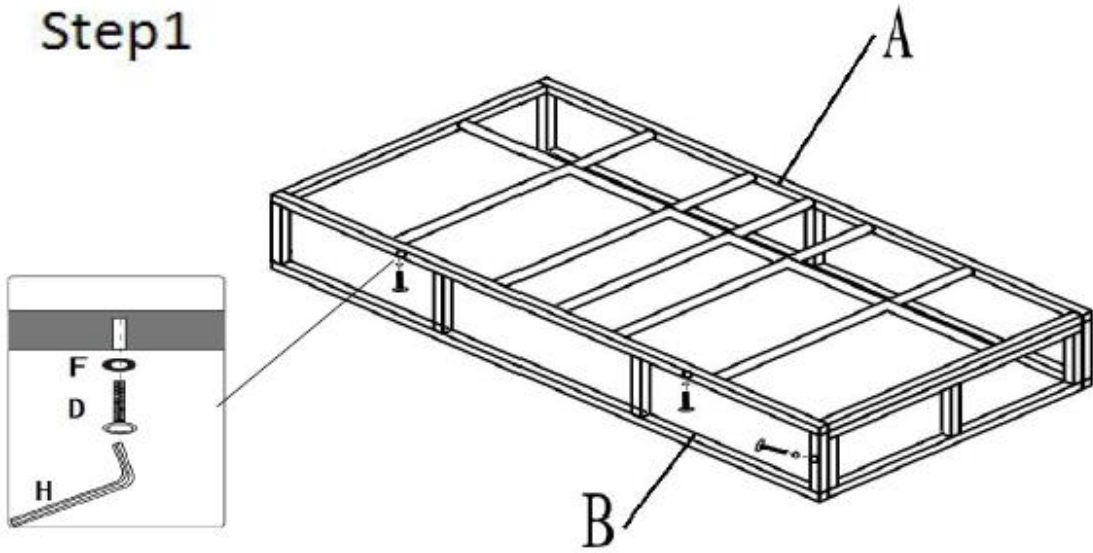
4.1 Lounge Bed

CAUTION:

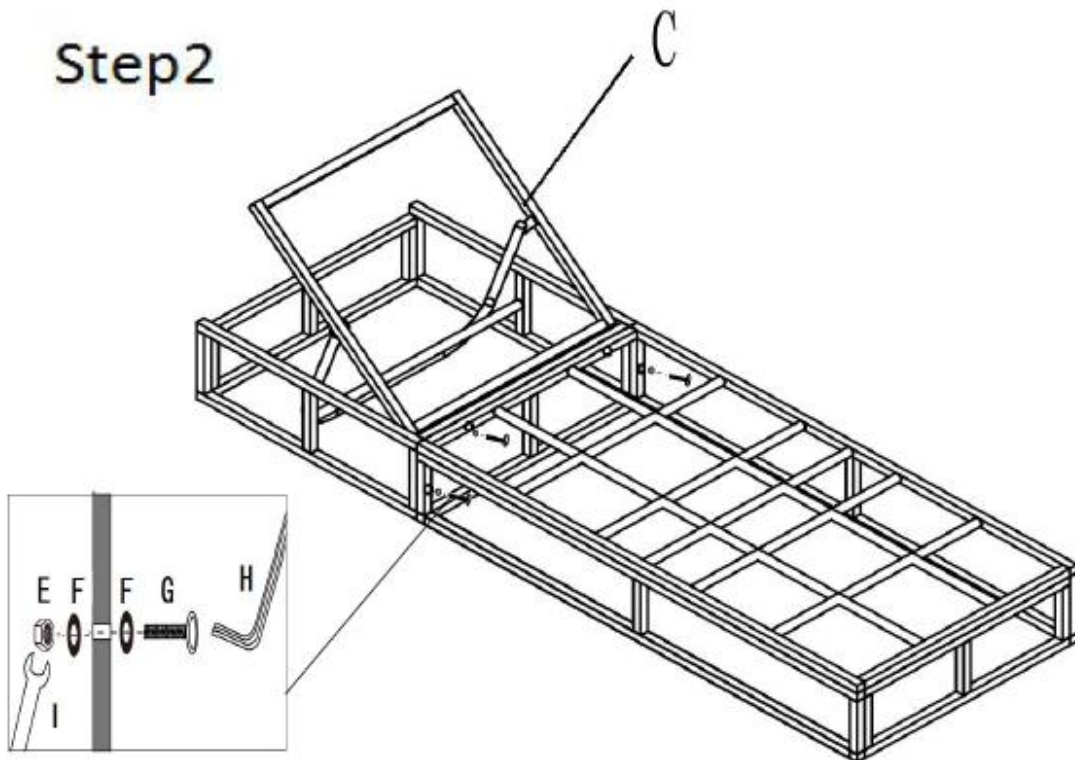
A. Check the package having all item shown in the parts list

B. Read the instruction before assembling

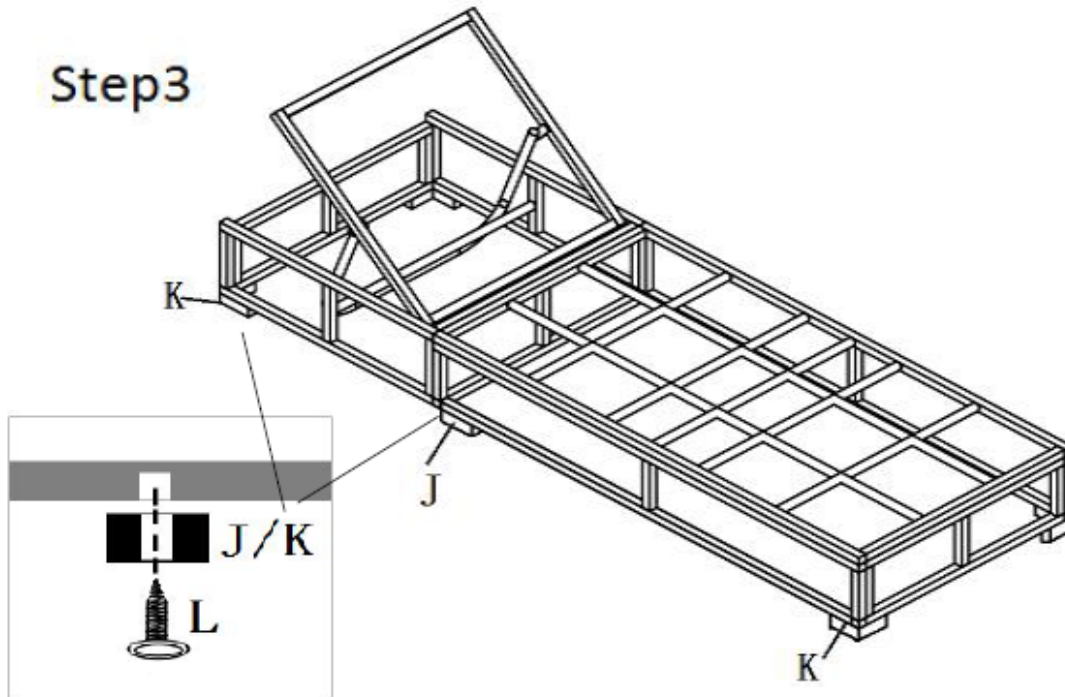
Step1


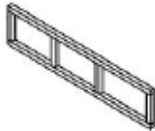
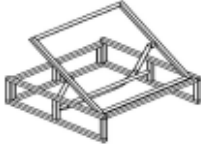











Step2



Step 3



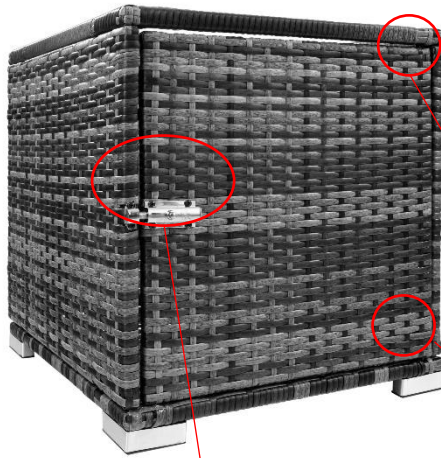
<p>A</p>  <p>1PC</p>		<p>B</p>  <p>1PC</p>		<p>C</p>  <p>1PC</p>		<p>D</p>  <p>M6*30 3PCS</p>		<p>E</p>  <p>4PCS</p>	
<p>F</p>  <p>11PCS</p>	<p>G</p>  <p>M6*50 4PCS</p>	<p>H</p>  <p>1PC</p>	<p>I</p>  <p>1PC</p>	<p>J</p>  <p>2PCS</p>	<p>K</p>  <p>4PCS</p>	<p>L</p>  <p>M6*32 20PCS</p>			

NOTE:

DO not tighten screw completely until assembling is completed

4.2 Coffee Table

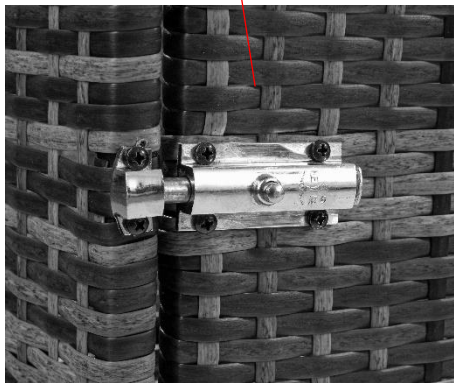
Make sure that the individual parts of the coffee table are put together correctly.



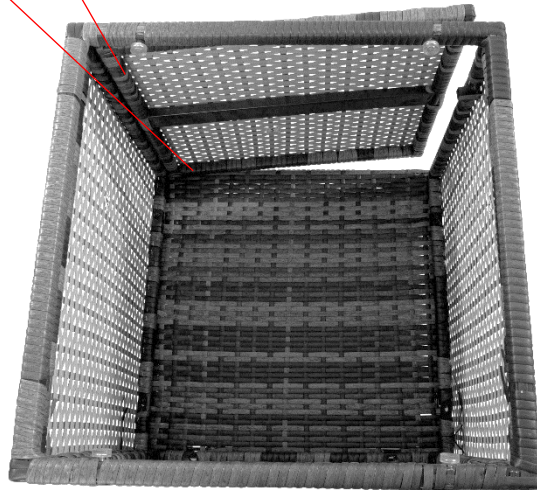
First put the parts together correctly.

1) The side panel must match the door mechanism.

2) The upper and lower parts are fitted to match the door anchoring.



Door mechanism



Door anchoring



Lower door mechanism

Hang the door before the top part is fixed.

In the last step the feet are mounted.

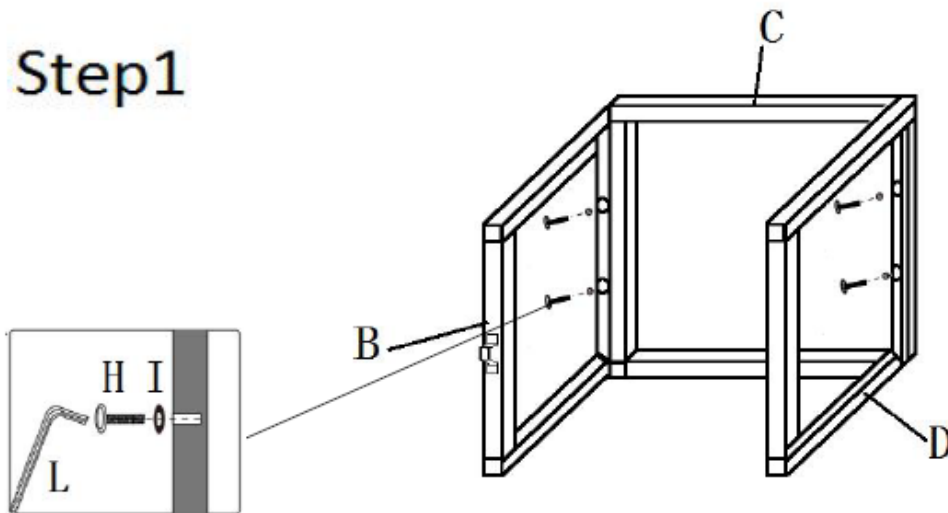
ASSEMBLY INSTRUCTION

CAUTION:

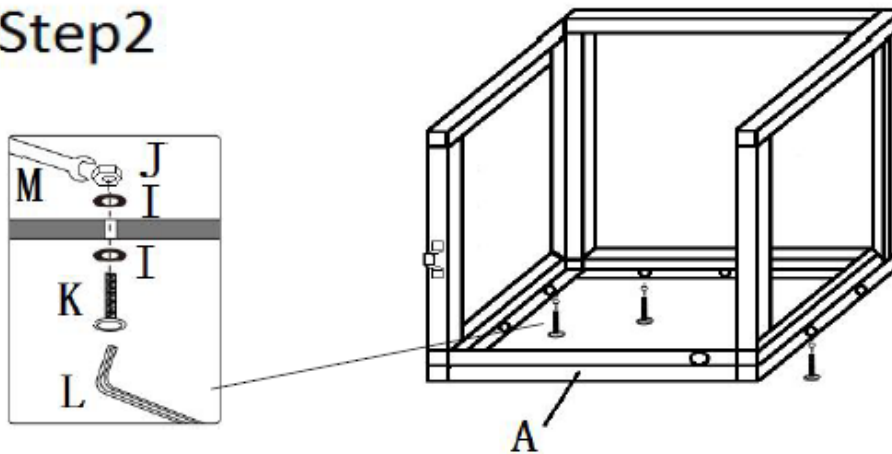
A. Check the package having all item shown in the parts list

B. Read the instruction before assembling

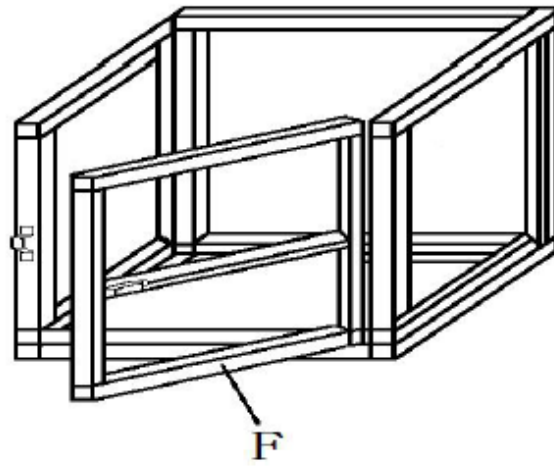
Step1



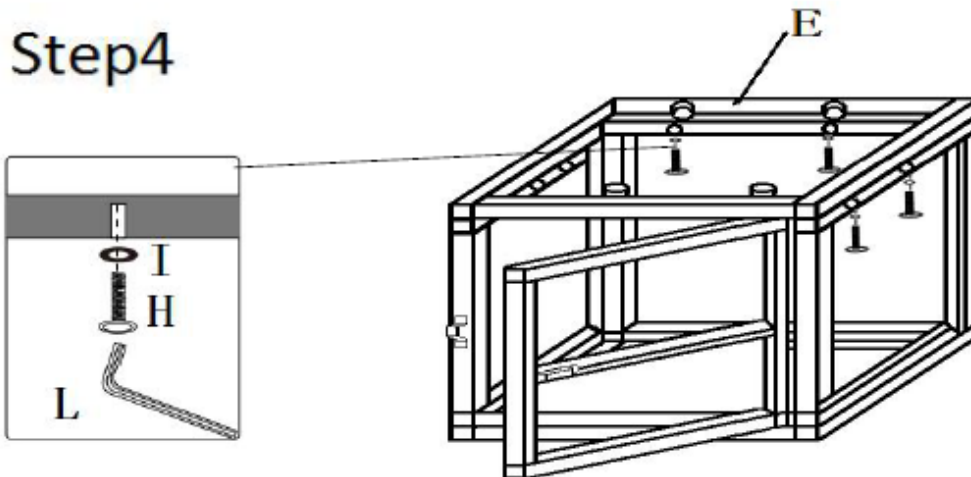
Step2



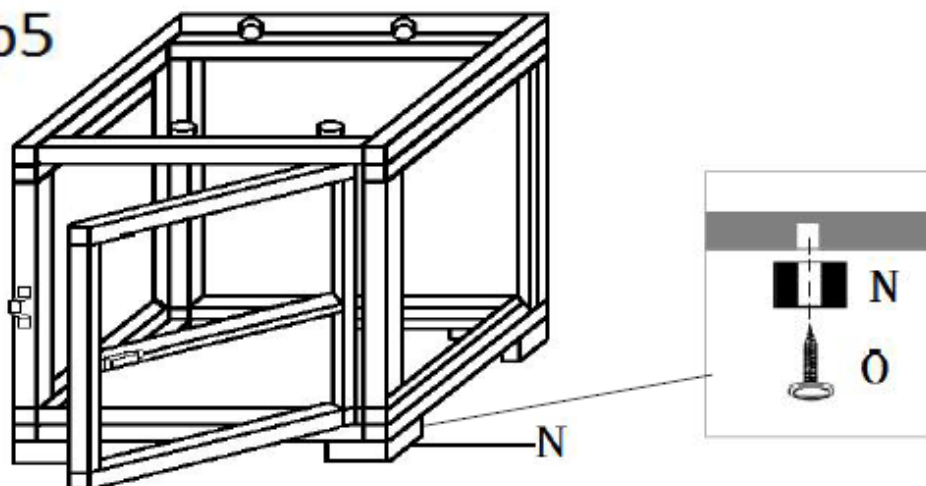
Step3



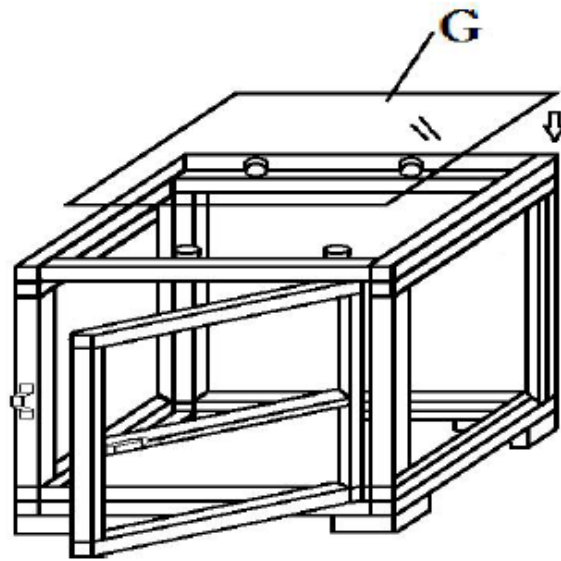
Step4





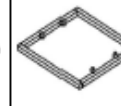
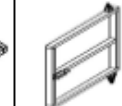
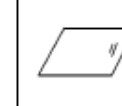










Step5



Step6



A  1PC	B  1PC	C  1PC	D  1PC	E  1PC	F  1PC	G  1PC	
H  M6*30 10PCS	I  22PCS	J  6PCS	K  M6*45 6PCS	L  1PC	M  1PC	N  4PCS	O  M6*32 12PCS

NOTE:

DO not tighten screw completely until assembling is completed

5. Technical Data

General – Materials: furniture	
Polyrattan	Polyethylene
UV resistant	yes
Water resistant	yes
Frame	Aluminum (powder coated)
General – Materials: fabrics	
Pillow Case	100% Polyester
Thickness upholstery	8cm
Color of Pillow	grey
Coffee Table 49x49x49cm	
Loading Capacity	50kg
Thickness of glass	5mm
Dimension of glass plate	49x49x0,5cm
Sun Lounge	
Dimension of Lounger (LxWxH)	184x60x21cm
Dimension of backrest (LXW)	63x60cm
Loading capacity	160kg
Level of height adjustments:	5; height ca.
Level 1 (incl. cushion) height	37cm
Level 2 (incl. cushion) height	48cm
Level 3 (incl. cushion) height	57cm
Level 4 (incl. cushion) height	65cm
Level 5 (incl. cushion) height	70cm
Seating cushion dimension (LxWxH)	184x60x7.5cm
Thickness of seating upholstery	7.5cm
Furniture Cover	
Water proof level	5000mm
Material of the cover	Polyester with TPU coating
Thickness of cover	200g/m ²

Imprint

Name of the product: Rattan Sun Lounge "Ibiza"
Model Nr.: AR-HE-IBIZA-G/S
Art. Nr.: 4260627425150 (grey)/ 4260627425778 (black)

If the product has any modification not allowed by us, this declaration loses its validity.

Date/Manufacturer Signature/Location:

Würzburg, 25 September 2020



Identification of the signatory:
Korhan Canbolat, head of the company

Authorized representative for the technical documentation:
Korhan Canbolat

Office address:
Canbolat Vertriebs GmbH
Gneisenaustraße 10-11
D-97074 Würzburg

Return address can be found in the imprint: <https://www.arebos.de/impressum/>

VAT identification number: DE 263752326
Court of the Commercial Register is Würzburg, HRB 10082
WEEE Reg.-No. DE 61617071