

AREBOS

Tool trolley 4 drawers red

AR-HE-WW41R



Please follow all security measures in this user's manual to ensure a secure use.

Thank you for trusting in AREBOS.

Please read and save these instructions. Read through this user's manual carefully before using product. Protect yourself and others by observing all safety information, warnings and cautions. Failure to comply with instructions could result in personal injury and/or damage to product or property. Please retain instructions for future reference.

Safety Instructions

Explanation of the symbols



Be careful when using the tool trolley!



Risk of injury! Take care when moving the tool trolley. **Danger of crushing!**



Warning! Do not step with your feet in the drawers!



Warning! Danger of tipping! Do not open all drawers at the same time!

General Safety regulations

- **Danger!** When using the equipment, a few safety pre-cautions must be observed to avoid injuries and damage. Please read the complete operating instructions and safety regulations with due care. Keep this manual in a safe place, so that the information is available at all times. If you give the equipment to any other person, hand over these operating instructions and safety regulations as well. We cannot accept any liability for damage or accidents which arise due to a failure to follow these instructions and the safety instructions.
- **Danger! Read all safety regulations and instructions.** Any errors made in following the safety regulations and instructions may result in an electric shock, fire and/or serious injury. **Keep all safety regulations and instructions in a safe place for future use.**
- When loading and unloading the drawers, ensure that the tool trolley and the drawers are evenly loaded.
- It is prohibited to transport persons with the tool trolley.
- Apply the break when loading and unloading.

- On slopes or uneven floors make sure that the tool trolley does not topple.
- When moving the trolley on slopes, hold it by the handle.
- Make sure that the maximum total load is not exceeded. (165 lbs/75 kg) Do not overload the drawers of the car.
- After transportation and/or assembly make sure that all drawer compartments are completely closed.
- For safety reasons the tool trolley is equipped with pull-out stops for the drawers. This prevents several drawers being opened at the same time.
- The car is very heavy when fully loaded. Improper opening can lead to tipping. Never open multiple drawers at the same time.
- Always push the tool trolley to avoid injury!
- Check for damage before use! Use the tool trolley only if it is in a faultless and safe operational condition.
- Any changes, modifications or additions to the trolley are prohibited.
- Any use of accessories or spare parts which are not expressly recommended by the manufacturer can result in injury or damage.
- Use only genuine accessories and spare parts.
- The tool trolley is not a toy! Do not climb or stand on the car. Keep the cart away from children!
- Store it in a location which is not accessible to children. The ideal storage temperature is between 10 and 30°C.
- Please note that our equipment has not been de-signed for use in commercial, trade or industrial applications. Our warranty will be voided if the machine is used in commercial, trade or industrial businesses or for equivalent purposes.
- If safe operation is no longer possible, decommission the product and protect it from accidental use. Safe operation is no longer guaranteed if the product:
 - has visible damage,
 - no longer working properly,
 - has been stored for an extended period under unfavorable environmental conditions,
 - was exposed to considerable transport loads.
- Have maintenance, adjustment and repair work carried out exclusively by a specialist or a specialist workshop.

Technical Specifications

Model	AR-HE-WW41R
Dimension without wheels	24.41 x 13 x 25.79 in (620 x 330 x 660 mm)
Dimension with wheels	24.41 x 13 x 29.92 in (620 x 330 x 760 mm)
4x drawers	19.69 x 12.01 x 2.56 in (500 x 305 x 65 mm)
1x large compartment	19.69 x 12.01 x 9.84 in (500 x 305 x 250 mm)
Dimensions wheels	0.98 x 2.76 in (25 x 70 mm)
Surface	Powder coated, scratch resistant
Material	Metal
Dimension wheels	0.787 x 2.95 in (20 x 75 mm)
Number wheels	4
Weight	49.5 lbs (22.5 kg)
Colour	Red

Layout and Use

Layout

1. Tool trolley
2. Wheels
3. Handle
4. Locking switch

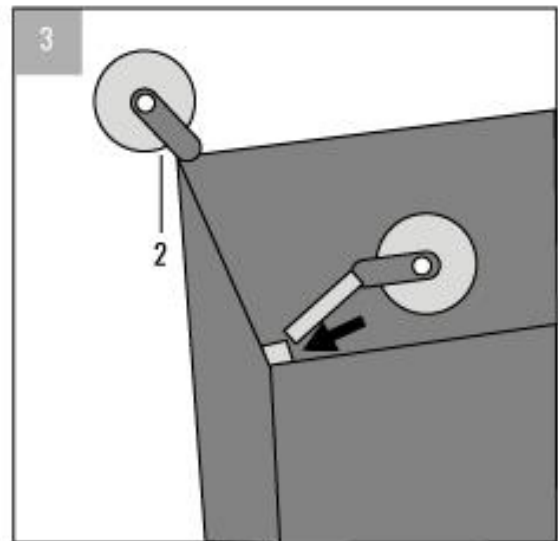
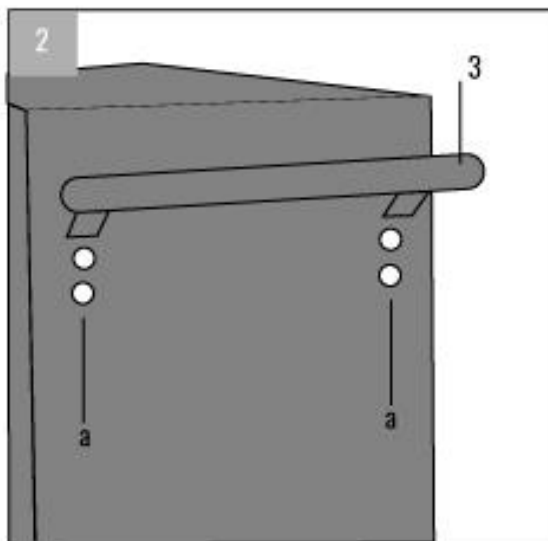
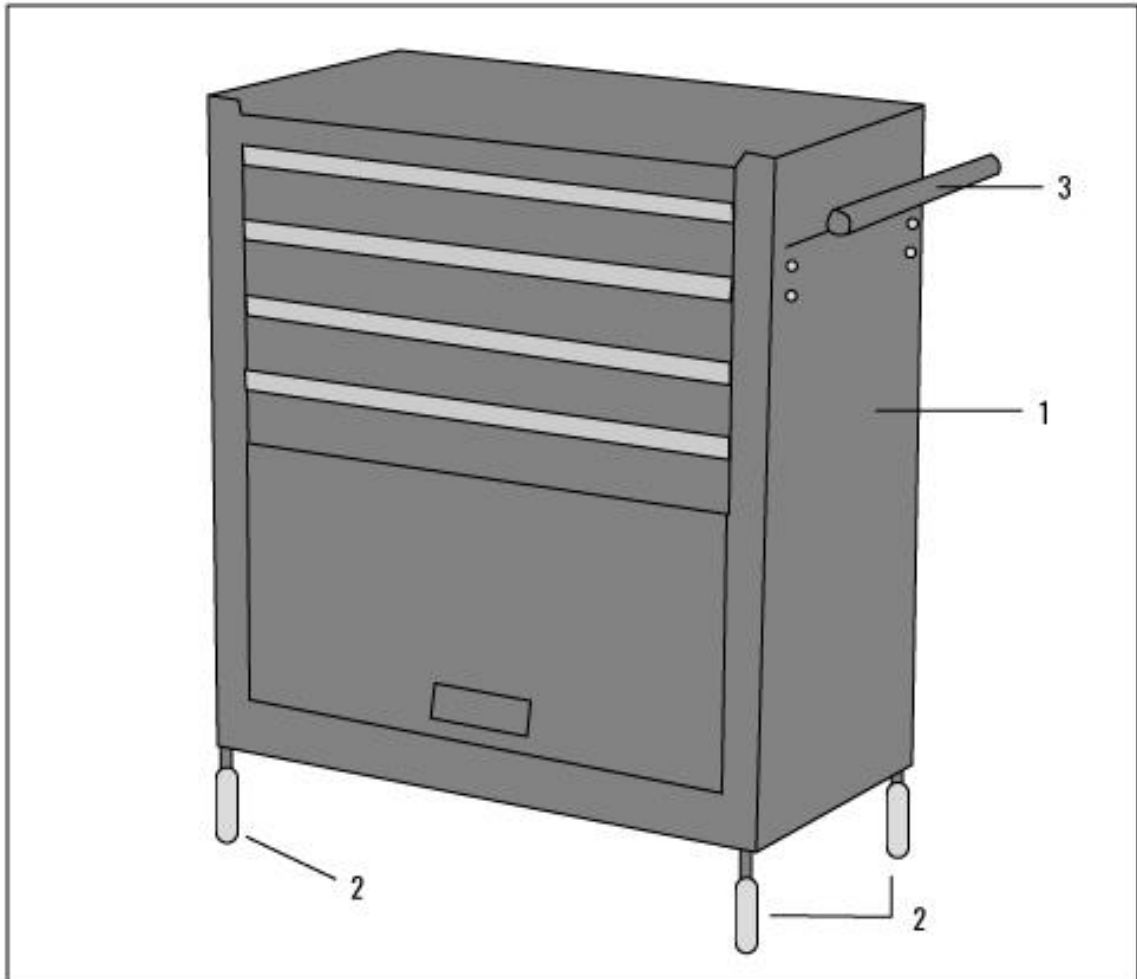
Items supplied

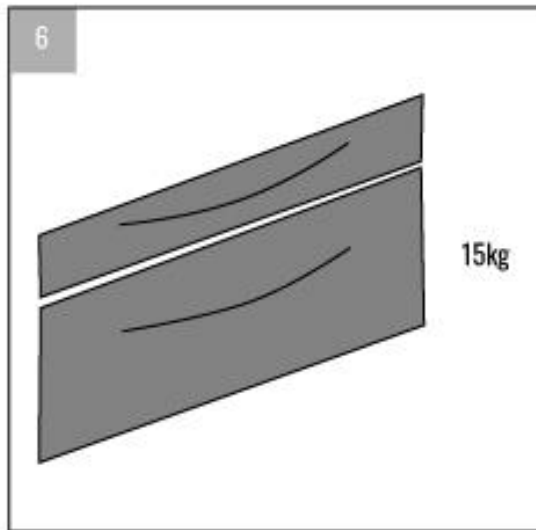
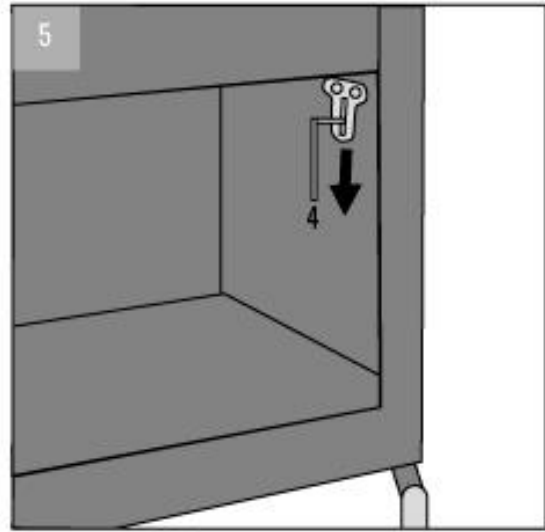
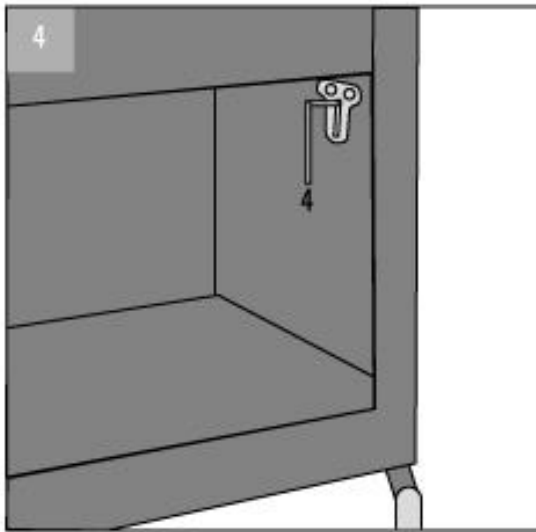
- Open the packaging and take out the equipment with care.
- Remove the packaging material and any packaging and/or transportation braces (if available).
- Check to see if all items are supplied.
- Inspect the equipment and accessories for transport damage.
- If possible, please keep the packaging until the end of the guarantee period.

Use

- The tool trolley is designed for mobile storage of tools and small parts. It can be used indoors on a variety of (firm and flat) floor coverings.
- The equipment is to be used only for its prescribed purpose. Any other use is deemed to be a case of misuse. The user/operator and not the manufacturer will be liable for any damage or injuries of any kind caused as a result of this.

Assembly





- **Important!** To avoid malfunctions, please note that all the drawers must be COMPLETELY closed before you pull one out!

Fitting the handle

- Fit the handle (3) with the screws (a) as shown in Fig. 2.

Fitting the wheels

- Fit the wheels (2) as shown in Fig. 3.

Before starting the equipment

- Unlock the drawers by pushing down the locking switch (4) located in the bottom drawer. (Fig. 4-5)
- Note that the max. Load capacity per drawer is 33 lbs (15 kg)! (Fig. 6)

Loosen the transport lock





Cleaning and Maintenance

- Clean the tool trolley with a slightly damp cloth and if necessary a small amount of conventional paint cleaner. To avoid damaging the surfaces do not use solvents or other aggressive or scouring cleaning products.

Disposal Instruction

Disposal of the packaging

- Please make reference to the guidelines and standards for appropriate disposal of the packaging valid in your region. In part, the package may consist of plastic bags - watch this respect, with special care to ensure that this is not out of the reach of children. There is a risk of suffocation!

Disposal of waste equipment

- Equipment must be disposed of in accordance with the rules and regulations of the local waste disposal.
- At the end of the long life of your article, please dispose of the valuable raw materials for proper disposal so that proper recycling can take place. If you are not sure how to proceed, the local waste disposal companies or recycling centers are happy to help.

Our customer service number: +49 (0) 931-45232700

Imprint

Name of the product	Art. Nr	Model Nr
Tool trolley 4 drawers Red	4260551586798	AR-HE-WW41R
Tool trolley 4 drawers Blue	4260551586835	AR-HE-WW41B
Tool trolley 4 drawers Black	4260551586859	AR-HE-WW41S

If this product is modified without our consent, it loses the right to any warranty.

Tested acc. to:
EU-standard:
DIN EN 1757-3:2003

Date/Manufacturer Signature/Location:

Würzburg, 12.02.2020



Identification of the signatory:
Korhan Canbolat, head of the company

Authorised representative for the technical documentation:
Korhan Canbolat

Office address:
Canbolat Vertriebs GmbH
Gneisenaustraße 10-11
D-97074 Würzburg

Return address can be found in the imprint: <https://www.arebos.de/impressum/>

VAT identification number: DE 263752326
Court of the Commercial Register is Würzburg, HRB 10082
WEEE Reg.-No. DE 61617071