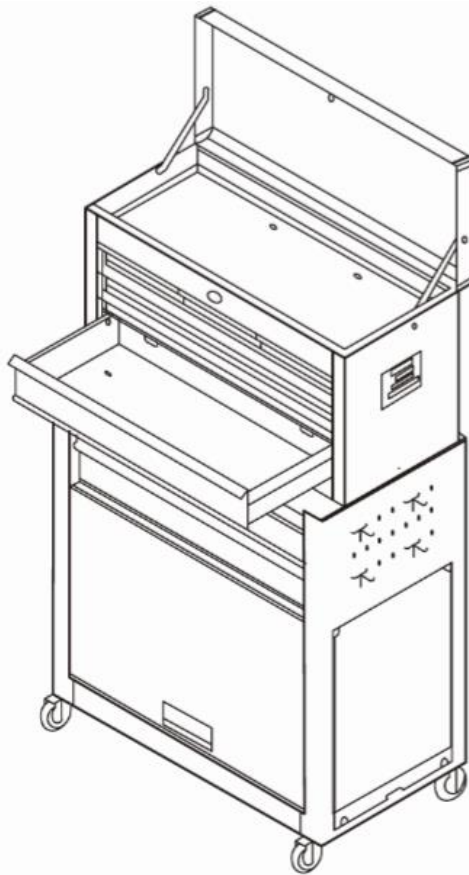


AREBOS

Drawer Chest & Cabinet 9 drawers

AR-HE-WWx9

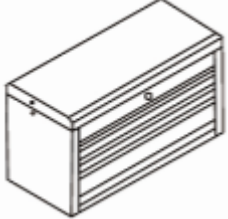








User's Manual



Please follow all security measures in this user's manual to ensure a secure use.

Please read and save these instructions. Read through this user's manual carefully before using product. Protect yourself and others by observing all safety information, warnings and cautions. Failure to comply with instructions could result in personal injury and/or damage to product or property. Please retain instructions for future reference.

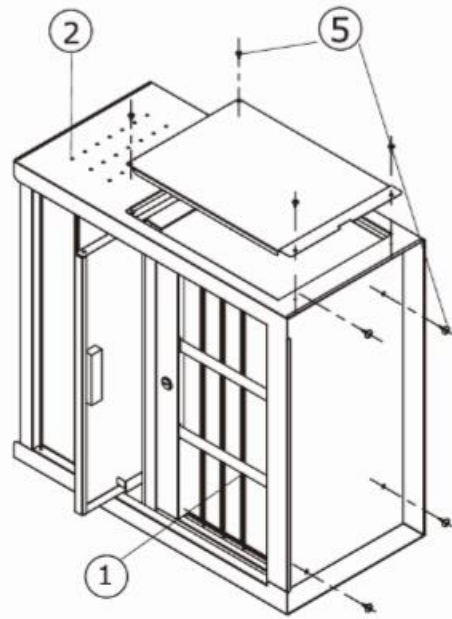
Parts List

Parts	No.	QTY.
	1	1
	2	1
	3	4
	4	4
	5	8
	6	2
	7	4
	8	2
	9	1

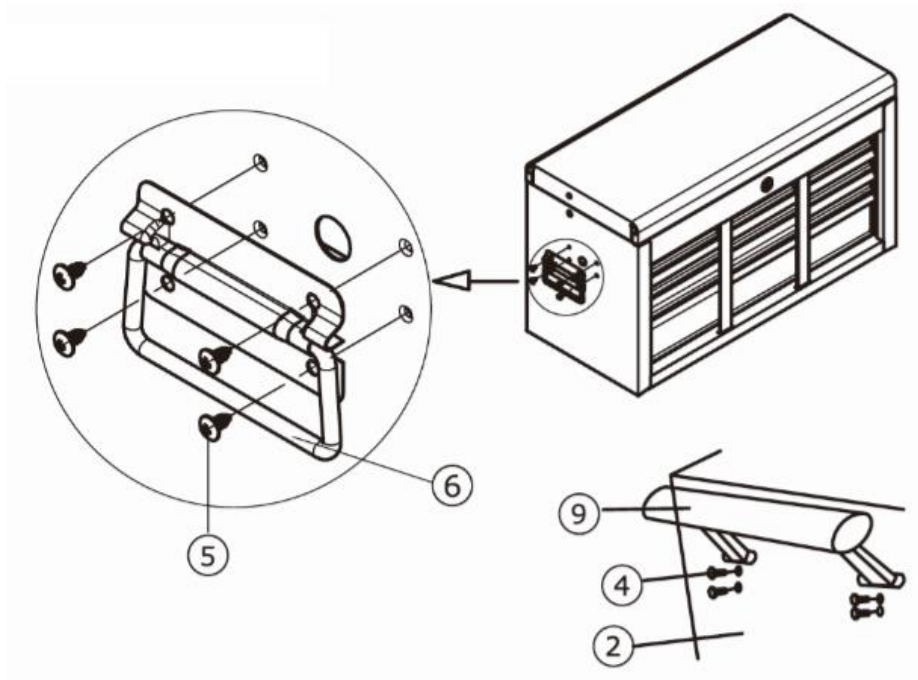
Assembly

Remove Side Panel

- Remove screws with a screwdriver.

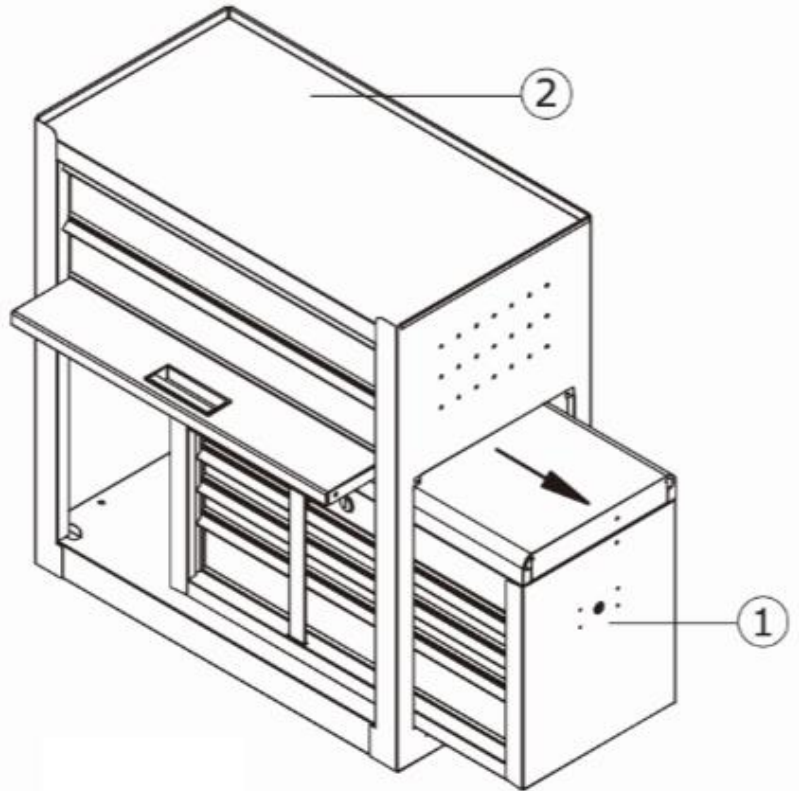


Handle Assembly



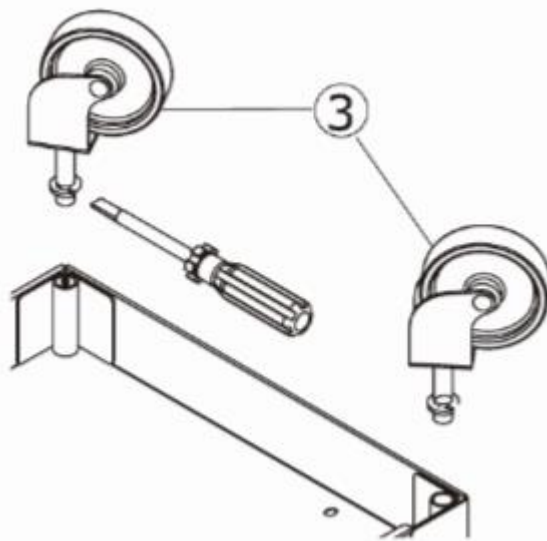
Remove Chest

- Place cabinet on a level surface. Slowly remove chest from the cabinet.



Caster Assembly

- Slightly spread apart split bearing on shaft if it fits loose.
- Crimp split bearing slightly with pliers.
- Make only slight adjustments until caster fits properly.

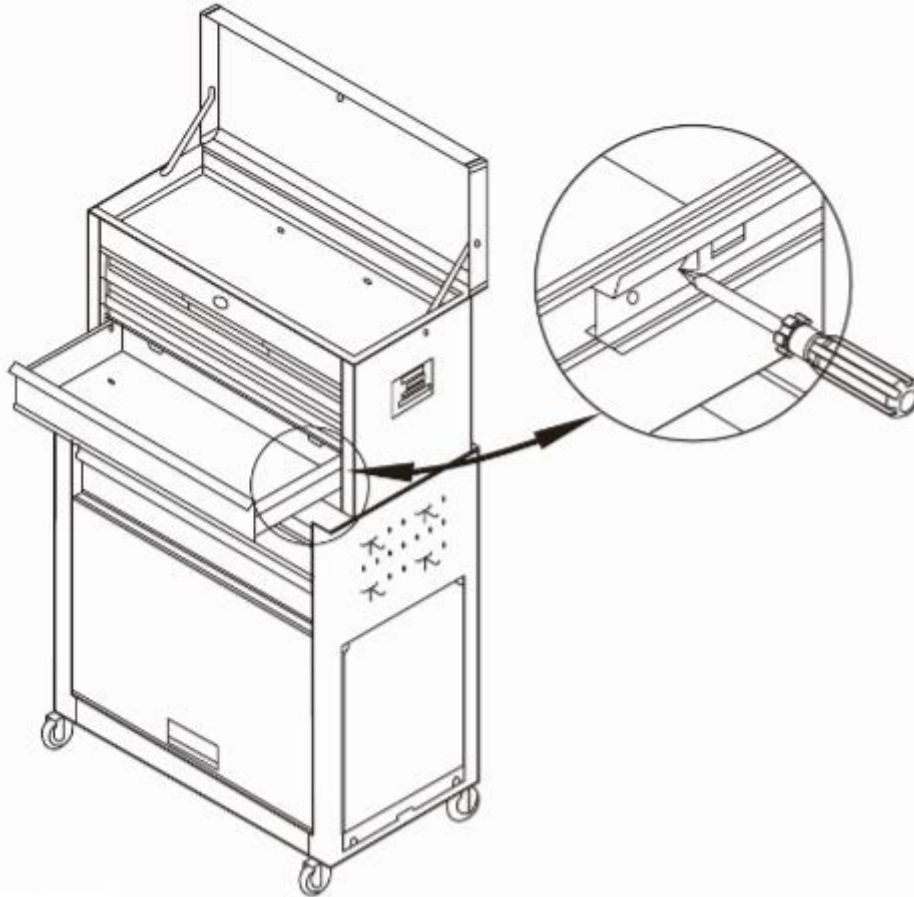




Drawer Slides

If it becomes necessary to remove drawers, follow these drawer removal instructions:

- Pull drawer all the way out, then push back a fraction of an inch.
- Insert a screwdriver into slot in the slide and push in on the stop until it clears the lance. Repeat the procedure on the other slide and remove drawer.
- To re-install drawer, pry stop far enough out to engage lances (3/16" to 1/4") and push drawer onto slide until stops engage lances.



WARNING

- Lubricate the top and the bottom channels of the drawer slides at least twice a year.
- Do not open more than one loaded drawer at a time.
- The maximum loading capacity is 70 kgs (154 lbs).

Disposal Instruction

Disposal of the packaging

- Please make reference to the guidelines and standards for appropriate disposal of the packaging valid in your region. In part, the package may consist of plastic bags - watch this respect, with special care to ensure that this is not out of the reach of children. There is a risk of suffocation!

Disposal of waste equipment

- Equipment must be disposed of in accordance with the rules and regulations of the local waste disposal.



Meaning of the "dustbin"

Protect our environment; electrical appliances do not belong in household waste. Use the provided for the disposal of electrical equipment collection points and enter your electrical and electronic equipment that you no longer use. They help ensure that the potential effects of incorrect disposal on the environment and human health to be avoided. So, do your part to recycle, recycling and other forms of recovery of waste electrical and electronic equipment. Information on where the devices are disposed of, please contact your local authorities or local Governments.

Imprint

Name of the product: Drawer Chest & Cabinet 9 drawers
Model Nr.: AR-HE-WWS9; AR-HE-WWSB9; AR-HE-WWSR9; AR-HE-WWR9
Art. Nr.: 4260551586712 (black); 4260627425914 (black/ blue);
4260627425907 (black/ red); 4260551586729 (red)

If the product has any modification not allowed by us, this declaration loses its validity.

Date/Manufacturer Signature/Location:

Würzburg, 04 August 2020



Identification of the signatory:
Korhan Canbolat, head of the company

Authorised representative for the technical documentation:
Korhan Canbolat

Office address:
Canbolat Vertriebs GmbH
Gneisenaustraße 10-11
D-97074 Würzburg

Return address can be found in the imprint: <https://www.arebos.de/impressum/>

VAT identification number: DE 263752326
Court of the Commercial Register is Würzburg, HRB 10082
WEEE Reg.-No. DE 61617071