

Please read and save these instructions. Read through this user's manual carefully before using product. Protect yourself and others by observing all safety information, warnings and cautions. Failure to comply with instructions could result in personal injury and/or damage to product or property. Please retain instructions for future reference.

1. Important information before installation

1.1 General safety informations

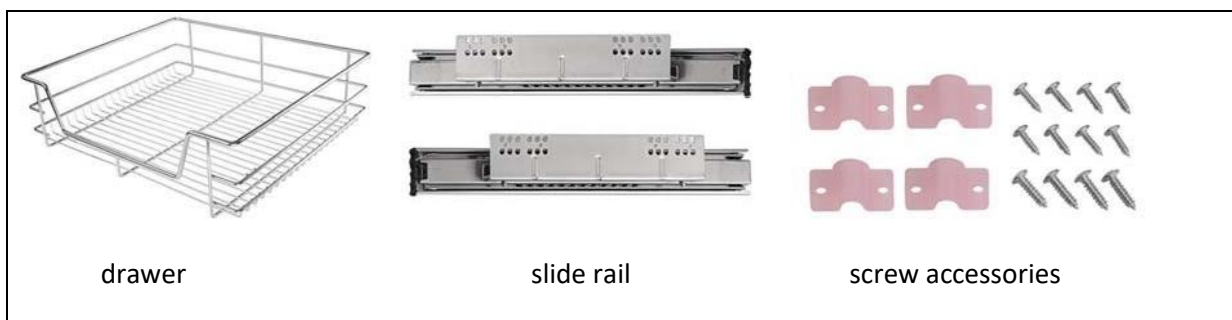
- **ATTENTION:** Make sure that no body parts are trapped between moving parts.
- Keep packaging materials away from children, there is a danger of suffocation!
- **Attention! Device and packaging materials are not children's toys! Children must not play with plastic bags, foils or small parts! There is a danger of choking and suffocation!**
- Check that the scope of delivery is complete and check the article and accessories for transport damage

1.2 Correct installation of the drawer runners

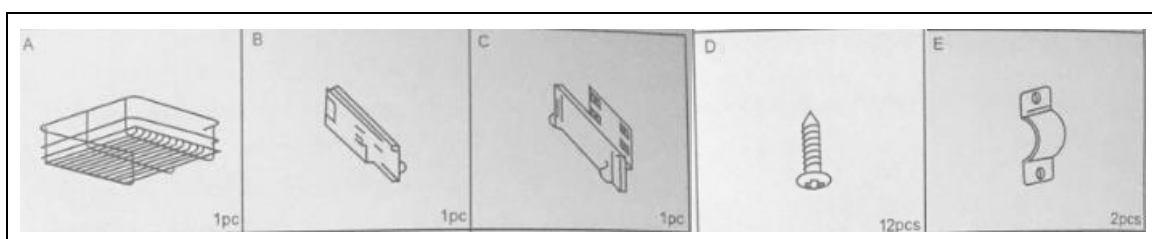
- Always make sure that the rails are parallel.
- The correct size of the lateral gap, i.e. the space between the cabinet and the drawer where the rail is installed, is very important. It should be +0.2 mm to +0.5 mm wider than the rail.
- If an inserted front panel is required, the backset dimension should be increased by the thickness of the front panel. The recommended value is 2 mm.

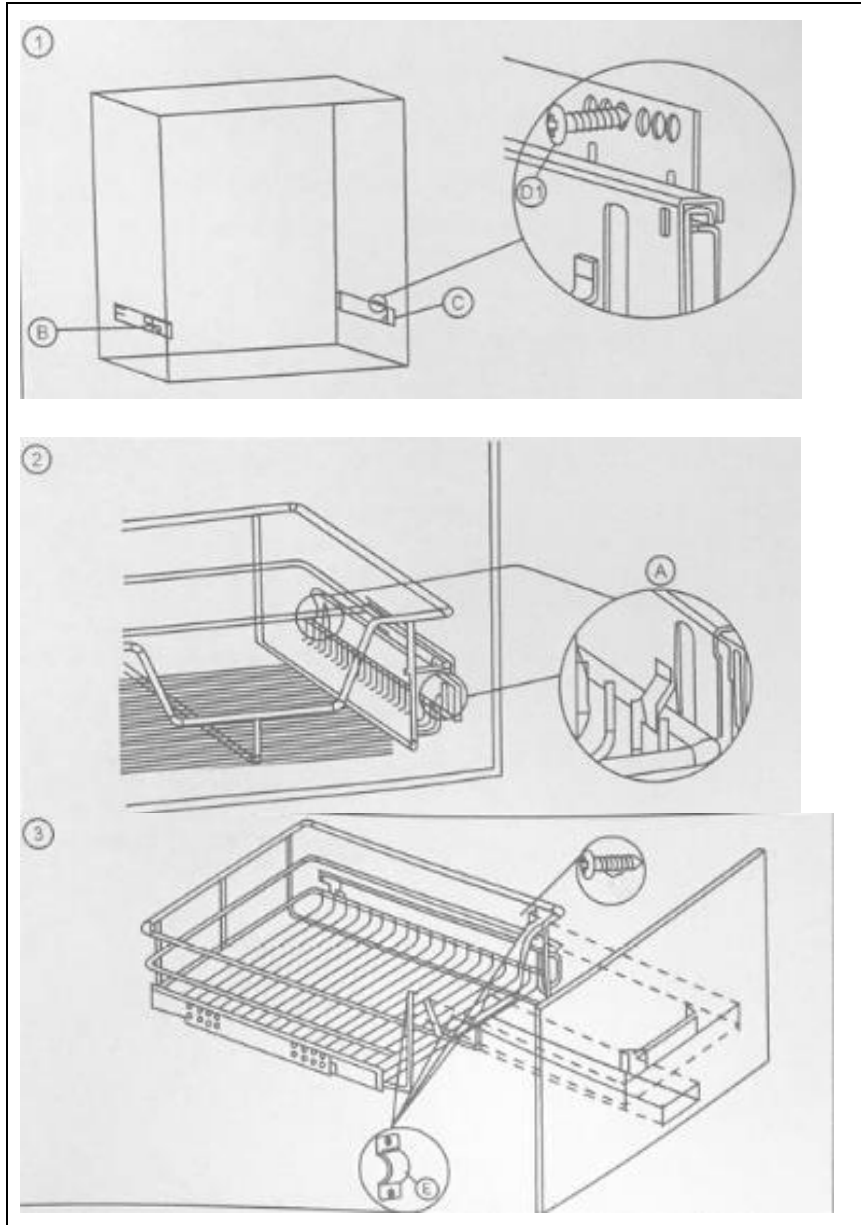
2. Assembly

2.1 Scope of delivery



2.2 Installation steps





3. Technical data

Model	AR-HE-TS30; EAN: 4260627420353, (30 cm drawer) AR-HE-TS40; EAN: 4260627420360 (40 cm drawer) AR-HE-TS50; EAN: 4260627420377 (50 cm drawer) AR-HE-TS60; EAN: 4260627420384 (60 cm drawer)
Resilience	Max. 20 kg
Total dimensions incl. rails	ca. 27 x 44 x 14 cm (30 cm drawer) ca. 37 x 44 x 14 cm (40 cm drawer) ca. 47 x 44 x 14 cm (50 cm drawer) ca. 57 x 44 x 14 cm (60 cm drawer)

4. Disposal instruction

4.1 Disposal of the packaging

- Please act according to the guidelines and standards for appropriate disposal of the packaging valid to your region. As parts of the packaging may consist of plastic bags, please ensure that it is out of reach for children. There is a risk of suffocation!

4.2 Disposal of waste equipment

- Equipment must be disposed in compliance with the rules and regulations of the local waste disposal authority.

Our customer service number: +49 (0) 931-45232700

Imprint

Name of the product: Arebos Telescopic drawer 30/40/50/60 cm
Model Nr.: 4260627420353/ 4260627420360/ 4260627420391/ 4260627420407

Art. Nr.: AR-HE-TS30, AR-HE-TS40, AR-HE-TS50, AR-HE-TS60

If this product is modified without our consent, it loses the right to any warranty.

Date/Manufacturer Signature/Location:

Würzburg, 27.08.2019



Identification of the signatory:
Dipl.-Inform. (Univ.) Korhan Canbolat, head of the company

Authorised representative for the technical documentation:
Korhan Canbolat

Office address:
Canbolat Vertriebs GmbH
Gneisenaustraße 10-11
D-97074 Würzburg

Return address can be found in the imprint: <https://www.arebos.de/impressum/>

VAT identification number: DE 263752326
Court of the Commercial Register is Würzburg, HRB 10082
WEEE Reg.-No. DE 61617071