

AREBOS

Heavy Loading Corner shelf

AR-HE-ERN



Please follow all security measures in this user's manual to ensure a secure use.

Thank you for trusting in AREBOS.

List of contents

1. Safety Instructions.....	3
1.1 Symbols	3
1.2 General safety instructions	3
2. Description	3
3. Construction.....	3
3.1 Before Assembly.....	3
3.2 Parts	4
3.3 Assembly	4
4. Technical Specifications.....	6
5. Disposal Instruction.....	6
5.1 Disposal of the packaging.....	6
5.2 Disposal of waste equipment.....	6

Please read and save these instructions. Read through this user's manual carefully before using product. Protect yourself and others by observing all safety information, warnings and cautions. Failure to comply with instructions could result in personal injury and/or damage to product or property. Please retain instructions for future reference.

1. Safety Instructions

1.1 Symbols



By means of a CE marking, it can be recognized that a product complies with the legal requirements of European legal standards and therefore may be traded within the European Community.

1.2 General safety instructions

- **Read the operating instructions carefully before use.**
- Save them for future reference.
- The maximum spot load is 386 lbs (175 kg) per shelf.
- The weight must be evenly distributed on the shelves.
- Make sure not to exceed the maximum spot load per shelf or for the whole unit.
- Do not place the unit in a room that is very humid because this could damage the shelves.
- Wear safety gloves when assembling the unit.
- Anchor the unit with a suitable wall bracket.
- **NOTE:** Make sure not to drill into water pipes or electric cables.

2. Description




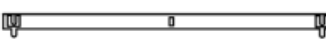
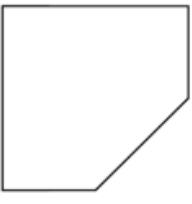






- Stable storage shelf unit designed for use in a corner.
- Made of heavy-duty zinc-plated sheet metal, with five extra steel reinforced shelves made of MDF.
- Can be combined with Jula's storage shelf unit in similar design.

3. Construction

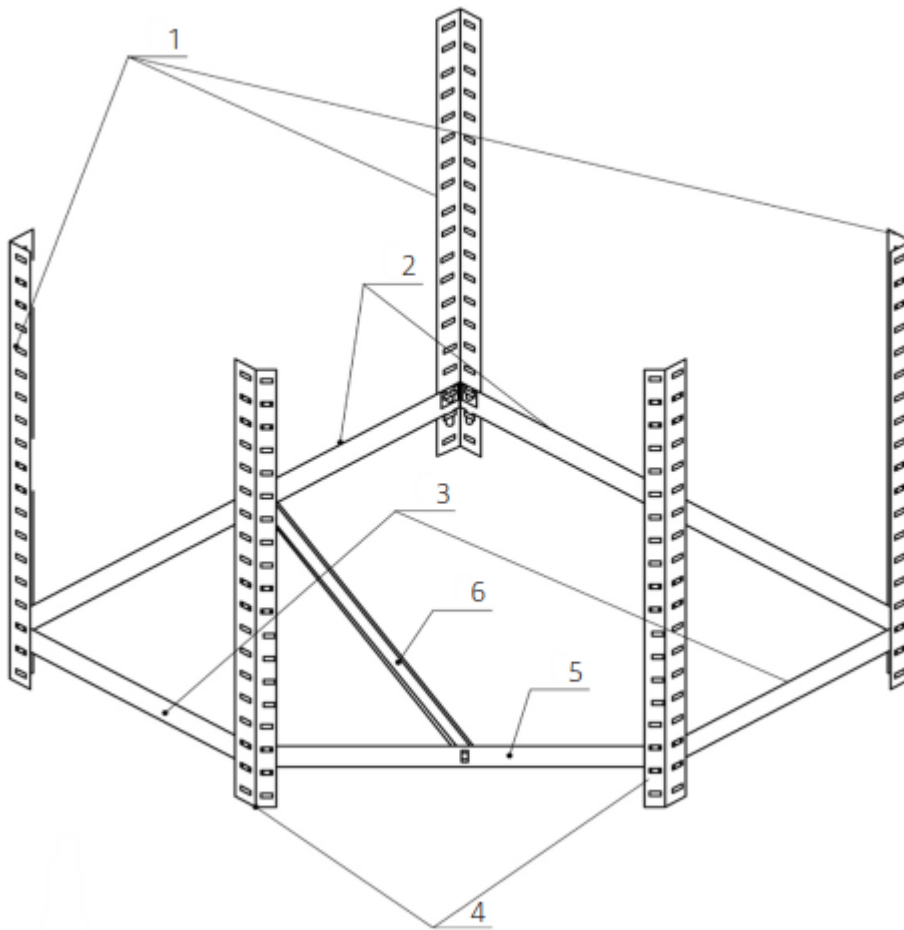
3.1 Before Assembly

- Remove all packaging material and check that all the parts are included.
- Check the product for transport damage before assembling.
- Assemble the product on a clean and level surface (e.g. carpet) to avoid damage.
- Use a rubber mallet to avoid damaging the material.
- Place the unit on a level surface. Otherwise this will compromise safety, or the maximum supporting capacity.
- Only use plugs and screws suitable for the type of wall and weight of the shelves. Plugs, screws and tools for wall mounting are sold separately.

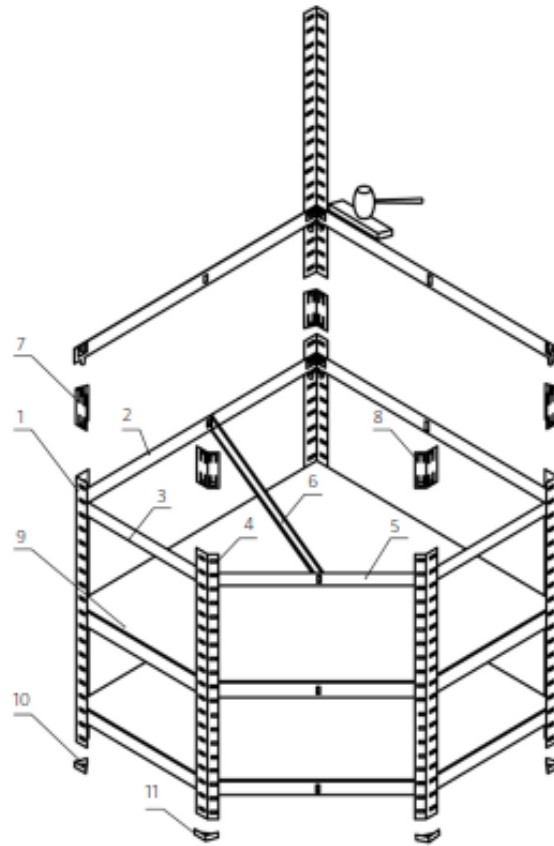
3.2 Parts

1		x6	7		x3	8		x2
2		x10	9					
3		x10						
4		x4	10					
5		x5						
6		x5	11		x4			

3.3 Assembly



- Assemble the first shelf support as shown in diagram.
- Assemble the second and third shelf support in the same way.



- Continue with the fourth and fifth shelf support by using parts 7 and 8 as shown in diagram.
- Place the shelves (9) on each level.
- Fit the plastic feet (10 and 11) as shown in diagram.



4. Technical Specifications

Model	AR-HE-ERN
Total load capacity:	1929 lbs (875 kg)
Load capacity per shelf	386 lbs (175 kg)
Number of shelves	5
Material shelves	MDF wood fiber board
Material frame	galvanized steel
Dimension	27.56 x 27.56 x 70.86 in (70 x 70 x 180 cm)
Material thickness frame:	0.0276 in (0.70 mm)
Weight	40.6 lbs (18.4 kg)

5. Disposal Instruction

5.1 Disposal of the packaging

- Please make reference to the guidelines and standards for appropriate disposal of the packaging valid in your region. In part, the package may consist of plastic bags - watch this respect, with special care to ensure that this is not out of the reach of children. There is a risk of suffocation!

5.2 Disposal of waste equipment

- Equipment must be disposed of in accordance with the rules and regulations of the local waste disposal.
- At the end of the long life of your article, please dispose of the valuable raw materials for proper disposal so that proper recycling can take place. If you are not sure how to proceed, the local waste disposal companies or recycling centers are happy to help.

Our customer service number: +49 (0) 931-45232700

Imprint

Name of the product: Arebos Heavy Loading Corner Shelf
Model Nr.: AR-HE-ERN
Art. Nr.: 4260627421459

If this product is modified without our consent, it loses the right to any warranty.

Date/Manufacturer Signature/Location:

Würzburg, 14.10.2019



Identification of the signatory:
Dipl.-Inform. (Univ.) Korhan Canbolat, head of the company

Authorised representative for the technical documentation:
Korhan Canbolat

Office address:

Canbolat Vertriebs GmbH
Gneisenaustraße 10-11
D-97074 Würzburg

Return address can be found in the imprint: <https://www.arebos.de/impressum/>

VAT identification number: DE 263752326
Court of the Commercial Register is Würzburg, HRB 10082
WEEE Reg.-No. DE 61617071