

AREBOS

2 in 1 Creeper and Seat

AR-HE-RM 150



Please follow all security measures in this user's manual to ensure a secure use.



Thank you for trusting in AREBOS.



Please read and save these instructions. Read through this user's manual carefully before using product. Protect yourself and others by observing all safety information, warnings and cautions. Failure to comply with instructions could result in personal injury and/or damage to product or property. Please retain instructions for future reference.

Safety Instructions

Explanation of the symbols



By means of a CE marking, it can be recognized that a product complies with the legal requirements of European legal standards and therefore may be traded within the European Community.



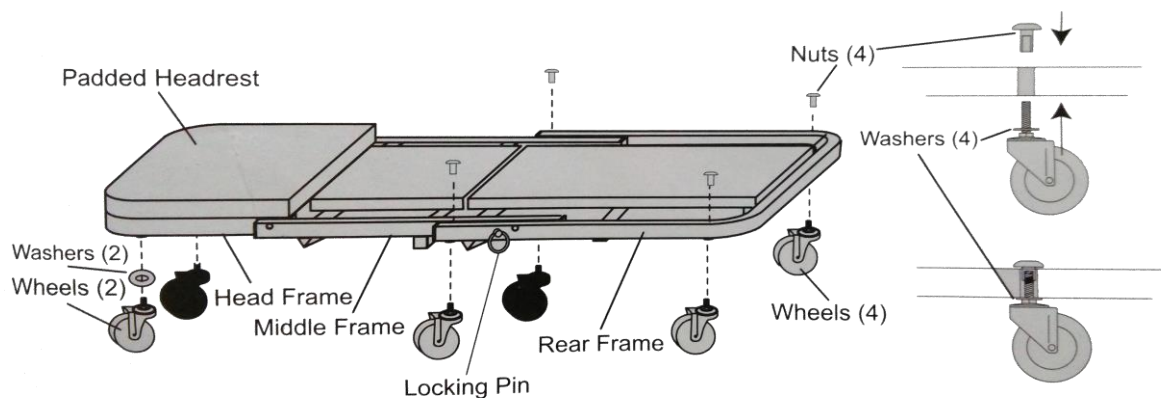
Warning! Danger of crushing hands!

General safety instructions

- Read, study and follow all instructions before assembling or operating this device.
- Failure to these instructions may result in personal injury and or properly damage.
- Do not exceed maximum capacity of 150 KG.
- Do not stand on the creeper.
- This creeper is designed for use on hard, level surface capable of sustaining the load.
- Use on other than hard, level surface could result in load instability and possible loss of load resulting in properly damage and personal injury.
- Alterations shall not be made to this product.
- If creeper is not operating properly, or parts are loose, missing, or broken.
- Stop use of creeper immediately.
- Creeper's fabric will burn.
- Be care when near open flame or with burning cigarettes.

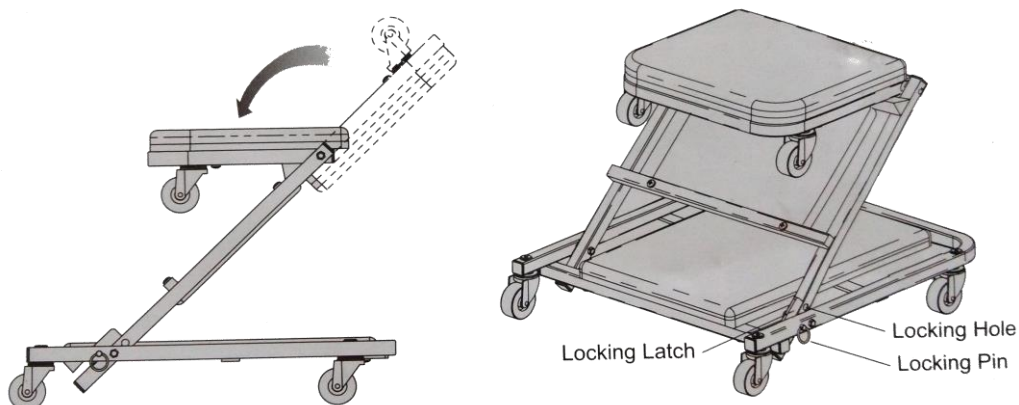
Assembly

- Connect these three sections of foam padded creeper together by 4 pcs M8x55 hex head bolts and M8 lock nuts.
- Tighten the M8 hex head bolts and nuts firmly.
- Install 6 pcs swivel casters into the frame of assembled creeper body.



How to convert the creeper to mechanics seat:

- Locate and unlock the Locking pin by pulling it out until the locking mechanism (locking hole) has been disengaged. Flip the middle part of creeper towards the end until the locking pin can engage the mechanics seat locking latch.
- Flip the front part of creeper (head frame) to the other side until it has sitting horizontally.
- Reverse the above steps to convert the mechanics seat to creeper.



Technical Specifications

Max. load as a creeper	150 kg
Max. load as a seat	120 kg
Weight	5,3 kg
Packing dimensions	54 x 44 x 9,5 cm
Frame	Steel, grey coated
Dimensions creeper	920 x 440 x 120 mm
Dimensions seat	450 x 440 x 380 mm

Disposal Instruction

Disposal of the packaging

- Please make reference to the guidelines and standards for appropriate disposal of the packaging valid in your region. In part, the package may consist of plastic bags - watch this respect, with special care to ensure that this is not out of the reach of children. There is a risk of suffocation!

Disposal of waste equipment

- Equipment must be disposed of in accordance with the rules and regulations of the local waste disposal.
- At the end of the long life of your article, please dispose of the valuable raw materials for proper disposal so that proper recycling can take place. If you are not sure how to proceed, the local waste disposal companies or recycling centers are happy to help.

Our customer service number: +49 (0) 931-45232700

EU Declaration of Conformity

We,

Canbolat Vertriebs GmbH, Gneisenaustraße 10-11, 97074 Würzburg, Germany,

Hereby declare that the product named below, seen its design and construction as well as according to our sales, has been complied with the relevant and basic health and safety EU-requirements.

Name of the product: AREBOS 2 in 1 Creeper and Seat

Model Nr.: AR-HE-RM150

Art. Nr.: 4260199756997

If the product has any modification not allowed by us, this declaration loses its validity.

Tested acc. to:

EU Standard:

2011/65/EU

Date/Manufacturer Signature/Location:

Würzburg, 17.05.2019



Identification of the signatory:

Korhan Canbolat, head of the company

Authorised representative for the technical documentation:

Korhan Canbolat

Office address:

Canbolat Vertriebs GmbH

Gneisenaustraße 10-11

D-97074 Würzburg

Return address can be found in the imprint: <https://www.arebos.de/impressum/>

VAT identification number: DE 263752326

Court of the Commercial Register is Würzburg, HRB 10082

WEEE Reg.-No. DE 61617071