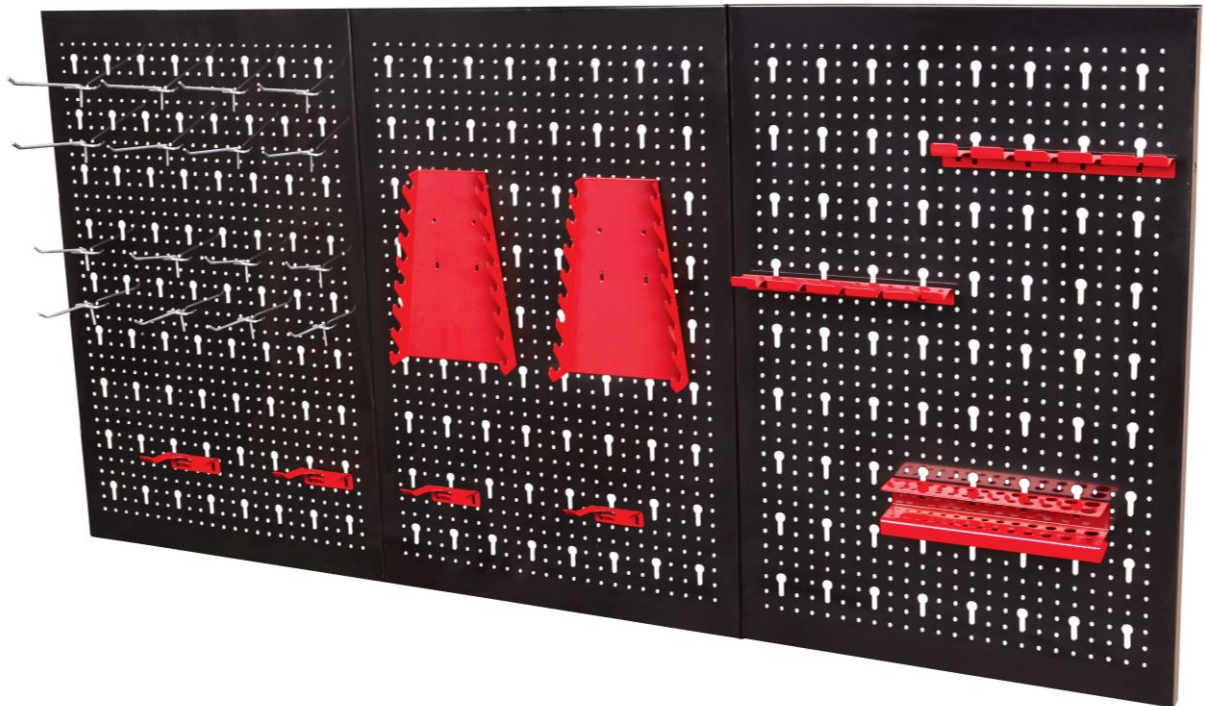


AREBOS

Metal Tool Wall

AR-HE-WW17R/B



Please follow all security measures in this user's manual to ensure a secure use.

Thank you for trusting in AREBOS.

Thank you for purchasing our product. Please read the instruction manual carefully before using the product for the first time. If you leave the product to third parties, this operating manual must also be handed over. Keep the instruction manual for later reference. The drawings in this guide may not match the physical objects. Please refer to the physical objects.

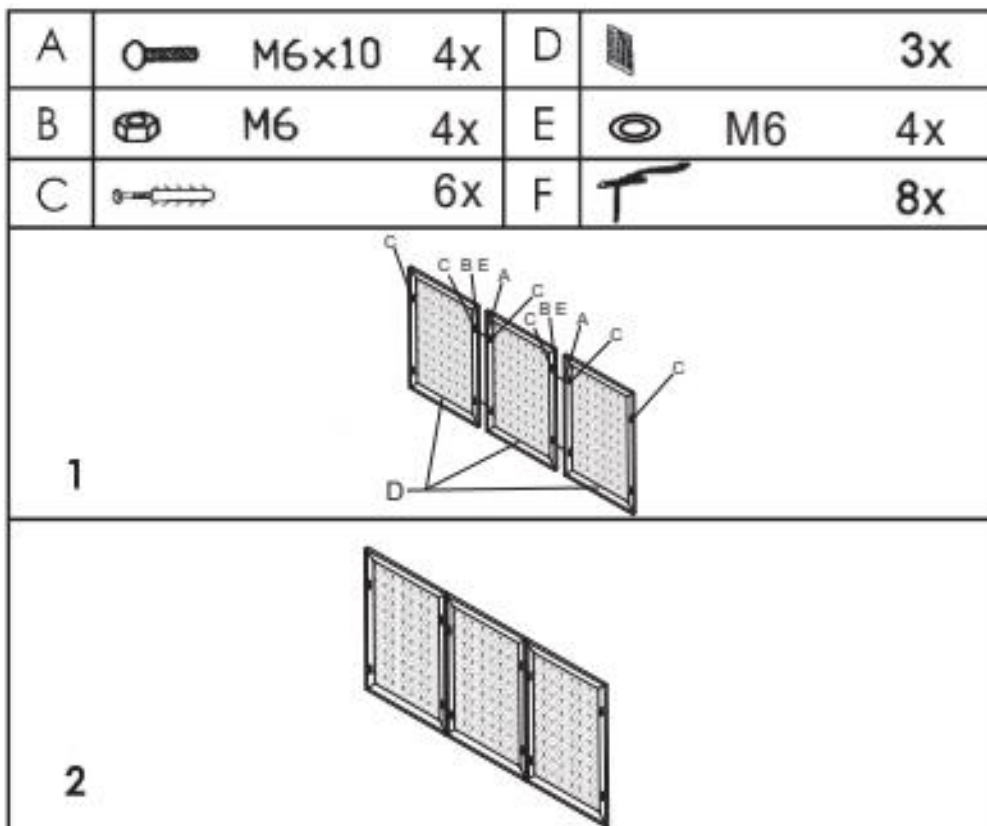
Characteristics

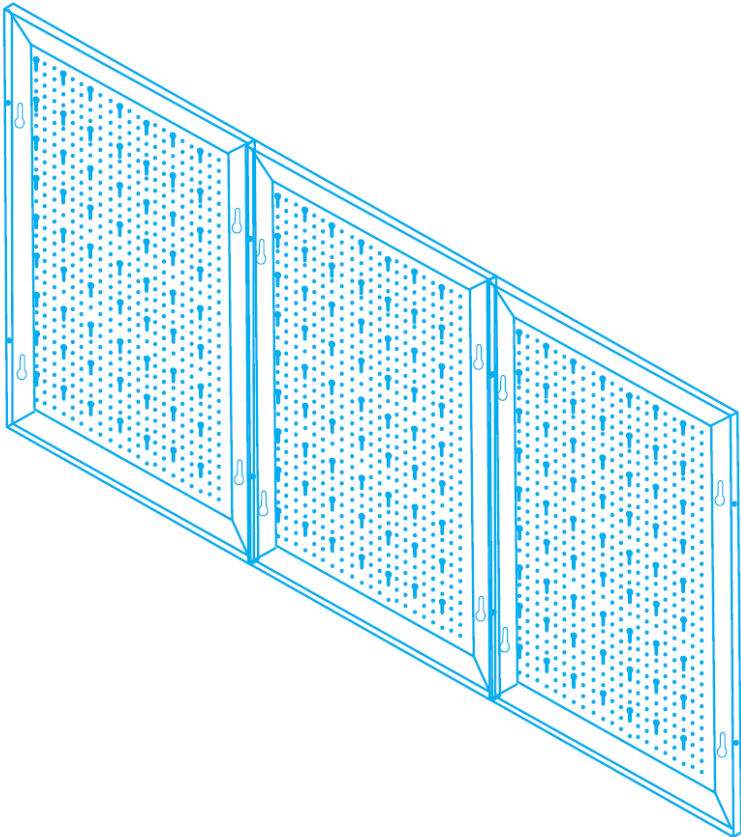
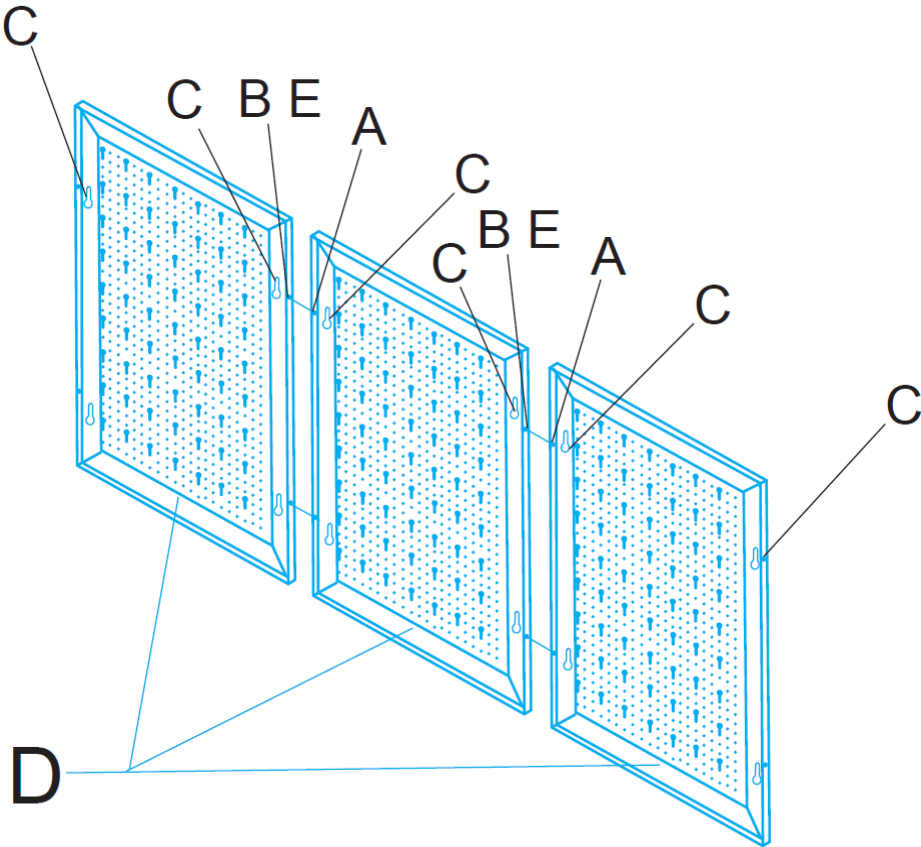
- Perforated wall ideal for the workshop or garage
- Also, usable as 3 independent hole walls
- Tool holder variably insertable
- Extremely space-saving
- Easy installation
- Versatile
- Incl. 17-piece tool holder set (various brackets, hangers, hooks)

Assembly

Delivery

- 3 x perforated plates
- Incl. 17-piece tool holder set






Technical Specifications

Total dimensions (mounted side by side)	46.29 x 24.42 x 0.78 in (117,6 x 59,5 x 2 cm)
Length per perforated plate	15.35 x 24.42 x 0.78 in (39 x 59,5 x 2 cm)
Material thickness	0.031 in (0,8 mm)
Colour per perforated plate	Black
Colour brackets	Red/ Blue
Weight	13.8 lbs (6.3 kg)

Environmentally friendly disposal

 **Warning! from the risk of suffocation!** Packaging material is dangerous for children. Never let children play with packaging material.

Disposal and packaging

- The packaging of your device is made of materials necessary to guarantee effective protection during transport. These materials are fully recyclable and thus reduce the environmental impact. Dispose of the packaging in a bin for recyclable materials.

Disposal of waste equipment

- Waste equipment must be disposed of in accordance with the guidelines and regulations of local waste disposal. Contact your local administration via the address of the nearest recycling centre and deliver your device there.

Our customer service number: Tel. +44 (0) 208 068 5604

fax: +49 (0) 931 4523 2799 / e-mail: info@arebos.de

Office address: Canbolat Vertriebs GmbH • Gneisenaustraße 10-11 • 97074 Würzburg

Return address can be found in the imprint: <https://www.arebos.de/impressum/>

Sales tax identification number: DE 263752326

Court of commercial registration is Würzburg, HRB 10082

WEEE-Reg. No. DE 61617071

Imprint

Name of the product: AREBOS Metal Tool Wall
Model Nr.: AR-HE-WW17R/B
Art. Nr.: 4260551580543 (red)/ 4260627427437 (blue)

If this product is modified without our consent, it loses the right to any warranty.

Date/Manufacturer Signature/Location:

Würzburg, 14 September 2022



Identification of the signatory:
Korhan Canbolat, head of the company

Authorised representative for the technical documentation:
Korhan Canbolat

Office address:
Canbolat Vertriebs GmbH
Gneisenaustraße 10 – 11
D-97074 Würzburg

Return address can be found in the imprint: <https://www.arebos.de/impressum/>

VAT identification number: DE 263752326
Court of the Commercial Register is Würzburg, HRB 10082
WEEE Reg.-No. DE 61617071