

AREBOS

Rocket oven with pan, carrying bag & gloves

AR-HE-ROS / AR-HE-RO



Follow all safety precautions in this instruction manual to ensure safe use.



Thank you for your trust in AREBOS.

Inhaltsverzeichnis

1. Introduction and safety instructions	3
1.1 Introduction	3
1.2 Symbol explanation and residual hazards	3
1.3. Safety	4
2. Scope of delivery and information	5
2.1. Measurements	5
2.2. General information	6
3. Assembly.....	6
4. Commissioning.....	6
5. Storage and cleaning	7
6. Environmentally friendly disposal.....	8
6.1 Disposal and packaging	8
6.2 Disposal of waste equipment	8
EU Declaration of Conformity	9


Thank you for purchasing our product. Please read the user manual carefully before using the product for the first time. If you leave the product to third parties, this instruction manual must be handed over with you. Keep the instruction manual for later reference. The drawings in this guide may not match the physical objects. Please refer to the physical objects.


1. Introduction and safety instructions

1.1 Introduction

- This instruction manual is intended to familiarize you with the installation, use and maintenance of the product. To install the device safely and correctly, please read the user manual **before** you begin.

1.2 Symbol explanation and residual hazards

 **WARNING!** This signal symbol/word refers to a hazard with a medium degree of risk which, if not avoided, could result in death or serious injury.

 **CAUTION!** This signal symbol/word refers to a hazard with a low level of risk which, if not avoided, may result in minor or moderate injury.

Hint! This signal symbol/word warns of possible property damage.



 **WARNING!** Read the safety regulations and instructions carefully.

Failure to comply with safety instructions and instructions may cause electric shock, fire and/or serious injury. **Keep all safety instructions and instructions for the future.**



 **WARNING!** in front of a hot surface!

The Dutch Oven gets very hot on all components during use. Only open the lid with heat-resistant gloves. Never touch or wear the stove during use without heat protection.

Do not quench or drop with cold water.



 **WARNING!**

This device can pose dangers if it is used improperly or improperly by untrained persons! Note that the device is not a toy and does not belong in children's hands. Personnel qualifications!

Suffocation! Do not leave the packaging material carelessly. It could become a dangerous toy for children.

There is a risk of fire if set up improperly. Do not place the device on a combustible surface.

Do not place the device on deep-pile carpets.

The device must not be covered to avoid overheating and fire hazard!



⚠️ WARNUNG! The stove must not be covered to avoid overheating and fire!

The symbol on the device indicates that it is not allowed to hang objects (e.g., towels, clothing, etc.) above or directly in front of the device.



Follow the instructions.

Hints with this symbol indicate that.

that the operating instructions must be observed.



This product must not be disposed of with household waste!

1.3. Safety

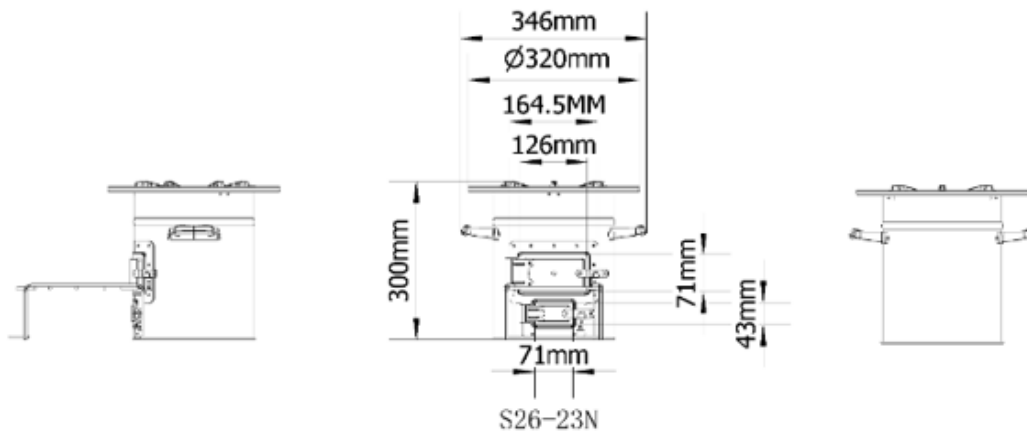
- Read this instruction manual carefully before using the rocket furnace and keep it for later reference.
- Failure to observe these hazards, warnings and precautions may result in serious bodily injury, including fatal bodily injury, fire or explosion with serious damage to property.
- Use the rocket oven only outdoors. It must not be used indoors - there is a risk of fire and suffocation.
- Please inform yourself about the applicable fire safety regulations and comply with them. Be considerate when using your product in nature and be considerate of animal and plant populations as well as nature reserves.
- Attention! The rocket oven can get very hot during use. Flames may escape from the upper opening; do not allow children or animals to come around.
- Never leave the rocket stove burning unattended.
- Keep a safe distance from flammable and heat-sensitive objects.
- Place the rocket hearth on a flat and non-heat-sensitive surface to ensure a secure stand. If you put cookware on the stove, avoid loose build-ups.
- Never cover the rocket stove. Fire!
- Never use flammable liquids such as gasoline, turpentine, or paint thinner to light or relight your fire. These substances are highly flammable and can ignite explosively. In addition, they are toxic and harmful to the environment.
- Touch only the handles of the rocket furnace and protect your hands with heat-resistant gloves.
- Do not pour cold liquids (such as water) on the cast iron plate of the rocket furnace, as this may break or damage the iron.
- Always allow the rocket oven to cool completely before cleaning.
- You should remove the ash from your firebox if necessary. However, be sure to wait until the ash has cooled completely, and then dispose of it appropriately. Never throw hot ashes in the household waste!
- The Arebos rocket furnace may only be used for its intended purpose. Any other use or misuse of the product will void the warranty. The rocket furnace must not be opened or disassembled, otherwise there is no longer any warranty claim.

2. Scope of delivery and information



Rocket oven	<ul style="list-style-type: none"> • Thick cast-iron pan plate with 6 pot supports, diameter 32cm • Cold rolled sheet metal + lacquer finish • Insulating, abrasion-resistant chamber with refractory metal lining to increase durability
Firing material support	<ul style="list-style-type: none"> • Suitable for fuel such as: Wood, barbecue charcoal, garden waste, pine cones, leaves, cardboard and pellets
Heat resistant gloves	<ul style="list-style-type: none"> • Made of 100% polyester
Carrying bag	<ul style="list-style-type: none"> • Robust and safe to carry
Frying pan	<ul style="list-style-type: none"> • 25 cm diameter, cast iron

2.1. Measurements



2.2. General information

With your new rocket oven, you can cook outdoors in a sustainable way and benefit from efficient combustion with low fuel consumption.

Thanks to its chimney-like design and the air supply from below, the rocket stove can burn wood and other combustible materials very efficiently. With the lower flap, you can easily regulate the amount of air and thus the heat output. Lighters can also be inserted through the lower compartment. The combustion chamber is small due to the thick housing insulation, so the heat goes upwards in a concentrated way and also heats the cast-iron cooking plate. This makes the rocket stove very efficient to use even in the most adverse conditions and in wind and weather.

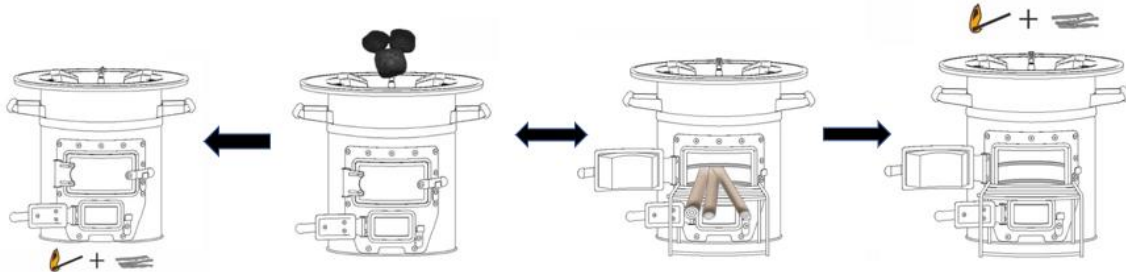
3. Assembly

- Remove the product and all accessories from the packaging. Check that the product shows no signs of damage.
- Remove the packaging completely.
- The rocket stove is well completed and you do not need additional tools .

4. Commissioning

- Place the rocket oven on a flat, stable surface. Make sure that the recesses in the lower part of the stove are not covered to ensure optimal air supply.
- Place the fuel tray in front of the fold so that it can be easily opened and closed.
- The best fuel for your stove is a finger-thick piece of wood, as well as twigs, reeds, straw, bark, etc. If you want to use lighters, place them in the burner compartment first. We recommend using only solid lighters.
- To light the rocket oven, open the lid of the combustion chamber and pour fuel into the opening. You can also have small matches ready that are easily accessible.
- When use wood please keep both the two doors open and light it up with paper or kindling and then feed the wood from the top door by fuel shelf .(keep both the two doors opening)
- When use charcoal please keep the top door close and bottom door open, feed it from stove top and light it up from the bottom door .(top door keeps closing and bottom door keeps opening) P.S. please kindly find the pictures from the next page for clear understanding .
- The wood/charcoal is placed in the rocket oven as required, thus regulating the temperature.
- Now you can place the matching cookware such as pans or pots on the cast-iron top.
- Small tips, we do not suggest to use charcoal and wood mixed together .


- You can fire the stove e.g., with coal or firewood.



5. Storage and cleaning

- When you're done cooking, let the fire burn in the rocket oven. Never pour water into the oven to extinguish the flames.
- To remove the ash, the ash box can simply be pulled out of the combustion chamber after the rocket oven has cooled down and emptied.
- Do not store the rocket oven until it has cooled down and store it in a dry place.
- For a long service life, we recommend regularly greasing the cast iron part of the stove.

6. Environmentally friendly disposal

 **Warning! from the risk of suffocation!** Packaging material is dangerous for children. Never let children play with packaging material.

6.1 Disposal and packaging

- The packaging of your device is made of materials necessary to guarantee effective protection during transport. These materials are fully recyclable and thus reduce the environmental impact. Dispose of the packaging in a bin for recyclable materials.

6.2 Disposal of waste equipment

- Waste equipment must be disposed of in accordance with the guidelines and regulations of local waste disposal. Contact your local administration via the address of the nearest recycling centre and deliver your device there.



The symbol of the crossed-out waste bin on an OLD electrical or electronic equipment states that it must not be disposed of in household waste at the end of its service life. Collection points for WASTE electrical and electronic equipment are available in your area for free returns. You can obtain the addresses from your city or local government. You can inform yourself on our website www.arebos.de about other return options created by us.



The separate collection of WEEE is intended to prevent reuse, recycling or other forms of recovery of WEEE, as well as the negative consequences of disposal on the environment and human health.

Our customer service number: Tel. +44 (0) 20 8068 5604
fax: +49 (0) 931 4523 2799 / e-mail: info@arebos.de

Office address: Canbolat Vertriebs GmbH • Gneisenaustraße 10-11 • 97074 Würzburg

Return address can be found in the imprint: <https://www.arebos.de/impressum/>

Sales tax identification number: DE 263752326
Court of commercial registration is Würzburg, HRB 10082
WEEE-Reg. No. DE 61617071

EU Declaration of Conformity



We, the

Canbolat Vertriebsgesellschaft mbH

Gneisenaustrasse 10-11

97074 Würzburg, Germany

declare, under sole responsibility, that the following product:

Brand

AREBOS

Product

Arebos Rocket Oven with pan, carrying bag & gloves

Product Model

AR-HE-ROS/ AR-HE-RO

Article

4252023111423 / 4252023112116

The subject matter of the declaration described above is in accordance with the relevant harmonisation legislation of the European Union.

Place and date of issue:

Würzburg, 25.01.2022

Signature:

A handwritten signature in black ink, appearing to read 'K. Canbolat', is positioned above the printed name of the Managing Director.

Dipl.-Inform. (Univ.) Korhan Canbolat, Managing Director

If the device is modified without our consent, this declaration of conformity loses its validity.