

AREBOS

Metal planter

AR-HE-HMB



Please follow all safety measures in this user manual to ensure safe use.

Thank you for your trust in AREBOS.

Table of contents

1 Safety	3
1.1 Explanation of the symbols	3
1.2 Intended use	3
1.3 General safety instructions	3
2 Scope of delivery and technical data ...	4
2.1 Scope of Delivery	4
2.2 Technical Data	4
3 Assembly	5
4 Maintenance and care.....	6
4.1 Cleaning	6
5 Environmentally friendly disposal	7
5.1 Disposal and packaging	7
Imprint.....	7

Thank you for choosing our product. Please read the user manual carefully before using the product for the first time. If you give the product to a third party, this instruction must be passed with them. Keep the instruction manual for future reference. The drawings in this manual may not match the physical objects. Please refer to the physical objects.

1 Safety

1.1 Explanation of the symbols



Warning! Read the safety instructions carefully. Failure to follow safety precautions may result in serious injury or damage. Keep the instruction manual in a safe place.



Choking hazard due to plastic bags!
Keep children away!

1.2 Intended use

- This raised bed is intended for private outdoor use, e.g. in gardens, on terraces or balconies. Any other use is not intended and can entail considerable risks. The manufacturer assumes no responsibility for improper use. The product is intended for normal domestic use and can support up to 50 kg.

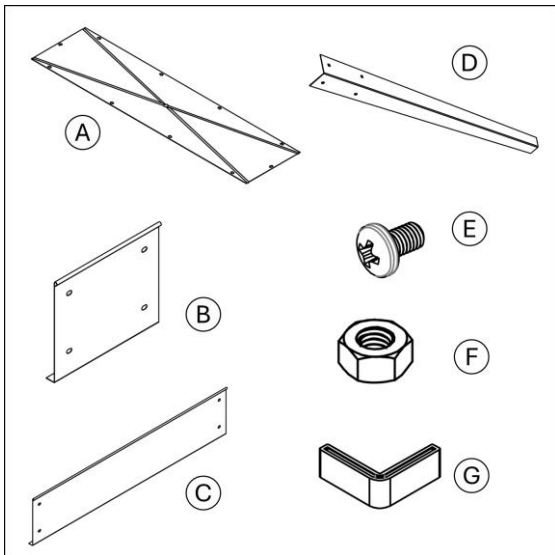
1.3 General safety instructions

- Prevent anyone, especially children, from climbing on or playing with the product. This could cause the product to tip over and lead to injuries.
- Do not sit or stand on the product.
- Be careful when assembling. Avoid working near power tools or equipment with small parts such as nuts and bolts to prevent injury or damage.
- Make sure that the product is only used for its intended purpose to avoid accidents or damage.
- Do not exceed the maximum weight capacity of 50 kg. Overuse can lead to injury or damage.
- We recommend wearing gloves and goggles during assembly to protect yourself from sharp edges and other potential hazards.
- For safe handling, it is recommended that two people move the product to avoid accidents or damage.
- Make sure the mounting area is clear and keep children or pets away to avoid accidents. This is not a toy.
- Use only the recommended tools, such as a screwdriver and an adjustable wrench. Do not over-tighten the screws to avoid damage or injury.
- Inspect all parts for damage or defects before starting assembly. Do not proceed if a part is damaged.
- Assemble the product on a flat, stable surface to ensure proper alignment and balance.

- Some parts can be heavy or unwieldy. It is advisable that a second person helps with the assembly.
- Handle all parts with care, especially sharp edges. File off any sharp edges if necessary.
- Follow the assembly instructions carefully to ensure safe and correct assembly and minimize the risk of injury or damage.
- Once assembled, check the stability of the raised bed and make sure that all screws and nuts are tightened before adding soil or other loads.
- Inspect the raised bed regularly for signs of wear and tear. Tighten any loose screws and check for rust or damage, especially if the raised bed is used outdoors.
- Do not fully tighten the nuts until the entire setup is complete.

2 Scope of delivery and technical data

2.1 Scope of Delivery



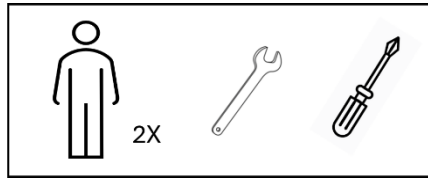
Part	Designation	Quantity
A	base	1
B	Side wall short	2
C	Side wall long	2
D	Legs	4
E	Screw	26
F	Nuts	26
G	Plastic feet	4

2.2 Technical Data

EAN	4252023125819
Model	AR-HE-HBM
Overall Dimensions	101.5 x 26 x 80 cm
Capacity	45 litres
Weight	5.9 kg
Max. load capacity	50 kg

3 Assembly

The following is required for assembly:



1. Attach plastic feet:

Slide the plastic feet (G) onto the lower ends of the legs (D).

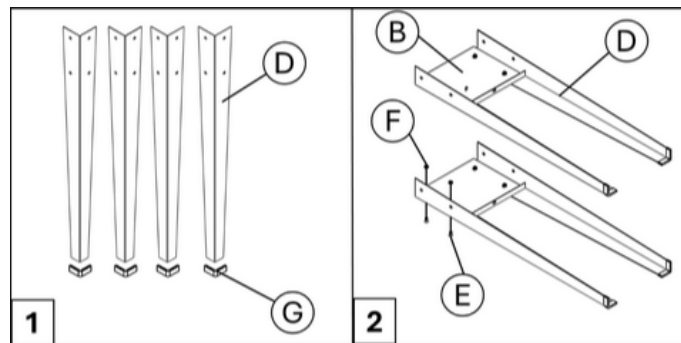
2. Attach the short side wall:

Align the holes of a short side panel (B) with two of the legs (D).

Note: The legs should be positioned on the outside of the planter with the edge of the endplate facing inwards.

Insert four screws (E) through the aligned holes with the screw heads facing outwards, and loosely fasten the nuts (F) on the other side.

Repeat this step with the remaining short sidewall (B) and the other two legs (D).



3. Attach the first long side panel:

Place the side panels and legs upright.

Align the holes of a long side panel (C) with the remaining holes in the legs.

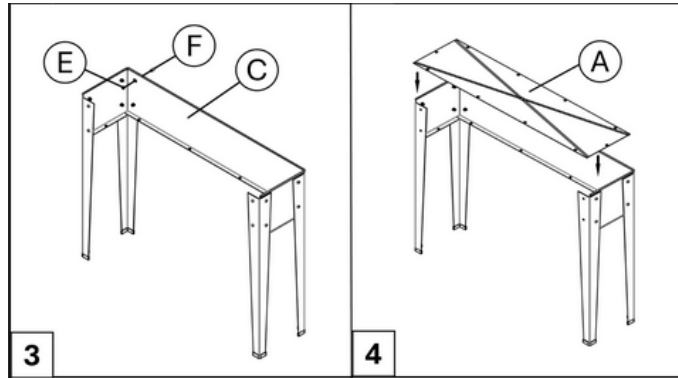
Insert the screws (E) through the holes and tighten the nuts (F) loosely.

Note: Make sure that the legs are on the outside and that the strip of the long side wall faces inwards.

4. Insert the bottom plate:

Position the base plate (A) inside the planter so that it rests on the strips of the other plates.

Align the holes in the base plate (A) with those of the strips. Starting with the base plate, insert the screws into each hole and fasten them loosely with nuts.



5. Attach the second long sidewall:

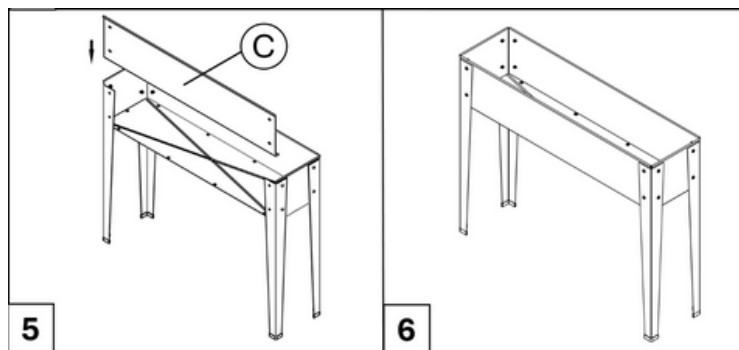
Align the second long side panel (C) with the pre-drilled holes in the legs. Make sure that the side wall is on the inside of the planter, with its strip under the base plate.

Insert the screws and fasten them loosely with the nuts.

6. Final tightening:

Once the entire structure has taken shape, tighten all the nuts and bolts with a screwdriver and an adjustable wrench.

Tip: Do not fully tighten the nuts until the entire setup is finished.



4 Maintenance and care

4.1 Cleaning

- Allow all parts to dry thoroughly before storing the product. This prevents mould, odours or discolouration.
- Clean the product with a soft, dry cloth.
- If water collects inside the raised bed, use a cloth to absorb and remove the excess liquid.

5 Environmentally friendly disposal

Warning: Choking hazard! Packaging material is dangerous for children. Never let children play with packaging materials.

5.1 Disposal and packaging

- The packaging of the item is made of materials necessary to ensure effective protection during transport. These materials are fully recyclable and thus reduce the environmental impact. Dispose of the packaging in a bin for recyclable materials.

Our customer service number: Tel. [Phone: +49 931 90 80 3000](tel:+4993190803000)

E-mail: info@arebos.de

Office address: Canbolat Vertriebs GmbH • Gneisenaustraße 10-11 • 97074 Würzburg

Imprint

Product Name: Metal Raised Bed

Model Number: AR-HE-HBM

Item number: 4252023125819

If the product has a modification that has not been approved by us, this statement will lose its validity.

Date/Manufacturer's signature/Location:

Würzburg 11 September 2024



Signer identification:

Korhan Canbolat, Head of the Company

Technical Documentation Representative:

Korhan Canbolat

Office Address:

Canbolat Vertriebs GmbH

Gneisenaustraße 10-11

D-97074 Würzburg

The return address can be found in the imprint: <https://www.arebos.de/impressum/>

Sales tax identification number: DE 263752326 Commercial register court is Würzburg, HRB 10082WEEE Reg.-Nr. DE 61617071