

Original instruction manual – AREBOS Metal planter with Wheels

AREBOS

Metal planter with Wheels

AR-HE-HMBR



Please follow all safety measures in this user manual to ensure safe use.

Thank you for your trust in AREBOS.

Table of contents

| | |
|---|----------|
| 1 Safety | 3 |
| 1.1 Explanation of the symbols | 3 |
| 1.2 Intended use | 3 |
| 1.3 General safety instructions | 3 |
| 2 Scope of delivery and technical data ... | 4 |
| 2.1 Scope of Delivery | 4 |
| 2.2 Technical Data | 5 |
| 3 Assembly | 5 |
| 4 Maintenance and care..... | 6 |
| 4.1 Cleaning | 6 |
| 5 Environmentally friendly disposal | 7 |
| 5.1 Disposal and packaging | 7 |
| Imprint..... | 7 |

Thank you for choosing our product. Please read the user manual carefully before using the product for the first time. If you give the product to a third party, this instruction must be passed with them. Keep the instruction manual for future reference. The drawings in this manual may not match the physical objects. Please refer to the physical objects.

1 Safety

1.1 Explanation of the symbols



Warning! Read the safety instructions carefully. Failure to follow safety precautions may result in serious injury or damage. Keep the instruction manual in a safe place.



Choking hazard due to plastic bags!
Keep children away!

1.2 Intended use

- This raised bed is intended for private outdoor use, e.g. in gardens, on terraces or balconies. Any other use is not intended and can entail considerable risks. The manufacturer assumes no responsibility for improper use. The product is intended for normal domestic use and can support up to 80 kg.

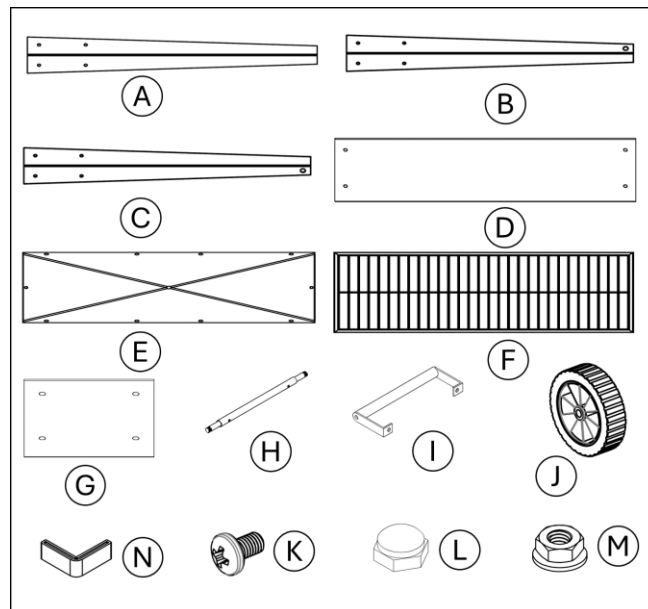
1.3 General safety instructions

- Prevent anyone, especially children, from climbing on or playing with the product. This could cause the product to tip over and lead to injuries.
- Do not sit or stand on the product.
- Be careful when assembling. Avoid working near power tools or equipment with small parts such as nuts and bolts to prevent injury or damage.
- Make sure that the product is only used for its intended purpose to avoid accidents or damage.
- Do not exceed the maximum weight capacity of 80 kg. Overuse can lead to injury or damage.
- We recommend wearing gloves and goggles during assembly to protect yourself from sharp edges and other potential hazards.
- For safe handling, it is recommended that two people move the product to avoid accidents or damage.
- Make sure the mounting area is clear and keep children or pets away to avoid accidents. This is not a toy.
- Use only the recommended tools, such as a screwdriver and an adjustable wrench. Do not over-tighten the screws to avoid damage or injury.
- Inspect all parts for damage or defects before starting assembly. Do not proceed if a part is damaged.
- Assemble the product on a flat, stable surface to ensure proper alignment and balance.

- Some parts can be heavy or unwieldy. It is advisable that a second person helps with the assembly.
- Handle all parts with care, especially sharp edges. File off any sharp edges if necessary.
- Follow the assembly instructions carefully to ensure safe and correct assembly and minimize the risk of injury or damage.
- Once assembled, check the stability of the raised bed and make sure that all screws and nuts are tightened before adding soil or other loads.
- Inspect the raised bed regularly for signs of wear and tear. Tighten any loose screws and check for rust or damage, especially if the raised bed is used outdoors.
- Do not fully tighten the nuts until the entire setup is complete.

2 Scope of delivery and technical data

2.1 Scope of Delivery



| Part | Designation | Quantity |
|------|-----------------|----------|
| A | Right leg | 2 |
| B | Left leg | 1 |
| C | Left leg | 1 |
| D | Side wall long | 2 |
| E | Floor slab | 1 |
| F | Filing | 1 |
| G | Side wall short | 2 |
| H | Axis | 1 |
| I | Handle | 1 |
| J | Wheels | 2 |

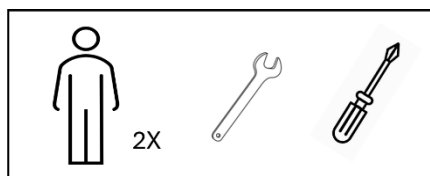
| | | |
|---|--------------|----|
| K | Plastic feet | 2 |
| L | Screw | 26 |
| M | Nuts | 2 |
| N | Nuts | 26 |

2.2 Technical Data

| | |
|---------------------------|-------------------------|
| EAN | 4252023125826 |
| Model | AR-HE-HBMR |
| Overall Dimensions | 108 x 51 x 80 cm |
| Capacity | 75 liters |
| Weight | 9.5 kg |
| Max. load capacity | 80 kg |

3 Assembly

The following is required for assembly:



Important: The left legs are shorter than the right legs and have an extra pre-drilled hole at one end.

Fig.1: Attach the wheels

Place the two left legs (B & C) parallel to each other. Insert the axle (H) into the pre-drilled holes on the underside of both legs. Slide a wheel (J) onto each end of the axle and secure it with the cap nuts (M).

Fig.2: Attach the first short sidewall

Align the holes on a short sidewall (G) with the holes on the left legs (B&C). Note: The legs should be positioned on the outside of the planter cart with the bar facing inward on the short side wall. Insert four screws (L) through the aligned holes and place the heads of the screws outwards. Loosely fasten the nuts (N) to the ends of the screws.

Fig.3: Assemble the right legs and the handle

Slide the plastic feet (K) onto the underside of the right legs (A). Align the holes of the remaining short sidewall (G) with the holes on the right legs. Screw through the holes and fasten loosely with nuts (N). Attach the handle (I) by aligning the holes with the top holes on the right legs, inserting screws through both sets of holes, and attaching the nuts (N) loosely.

Fig.4: Attach the first long side wall

Straighten up the attached short side panels and legs. Take a long side panel (D) and align the pre-drilled holes with the holes on the legs. Note: The legs should be positioned outwards, with the bar on the long side wall facing inwards. Insert screws through the aligned holes and fasten them loosely with nuts (N).

Fig.5: Attach the second long sidewall and the lower panel

Align the pre-drilled holes of the second long sidewall (D) with the corresponding holes on the legs.

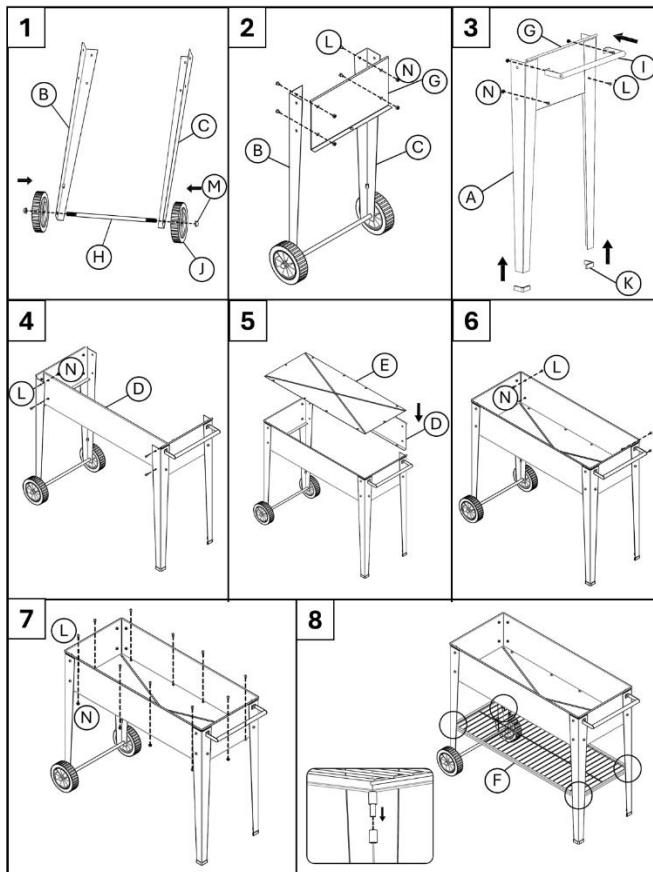
Note: The long side wall should be positioned on the inside of the planter trolley, with the strip placed under the base plate. Then, insert the bottom plate (E) into the planter, making sure it rests on the edges of the other plates.

Fig.6: Final tightening

Once the entire structure has taken shape, insert screws into each set of holes and fasten the nuts loosely.

Next, go through the entire assembly and tighten all the nuts and bolts with a screwdriver and a wrench.

Fig.7: Attach the base plate



Align the holes in the base plate (E) with those in the skirting boards. Insert screws into each set of holes, starting with the bottom cover. Secure each screw loosely with a nut.

Fig.8: Install the shelf

Each corner of the shelf (F) is equipped with hooks. Position the shelf between the legs of the planter and slide the hooks into the slots on the inside of each leg to secure it.

4 Maintenance and care

4.1 Cleaning

- Allow all parts to dry thoroughly before storing the product. This prevents mould, odours or discolouration.
- Clean the product with a soft, dry cloth.
- If water collects inside the raised bed, use a cloth to absorb and remove the excess liquid.

5 Environmentally friendly disposal

Warning: Choking hazard! Packaging material is dangerous for children. Never let children play with packaging materials.

5.1 Disposal and packaging

- The packaging of the item is made of materials necessary to ensure effective protection during transport. These materials are fully recyclable and thus reduce the environmental impact. Dispose of the packaging in a bin for recyclable materials.

Our customer service number: Tel. [Phone: +49 931 90 80 3000](tel:+4993190803000)

E-mail: info@arebos.de

Office address: Canbolat Vertriebs GmbH • Gneisenaustraße 10-11 • 97074 Würzburg

Imprint

Product Name: Metal planter with Wheels

Model Number: AR-HE-HBMR

Item number: 4252023125826

If the product has a modification that has not been approved by us, this statement will lose its validity.

Date/Manufacturer's signature/Location:

Würzburg 11 September 2024



Signer identification:

Korhan Canbolat, Head of the Company

Technical Documentation Representative:

Korhan Canbolat

Office Address:

Canbolat Vertriebs GmbH

Gneisenaustraße 10-11

D-97074 Würzburg

The return address can be found in the imprint: <https://www.arebos.de/impressum/>

Sales tax identification number: DE 263752326 Commercial register court is Würzburg, HRB 10082WEEE Reg.-Nr. DE 61617071