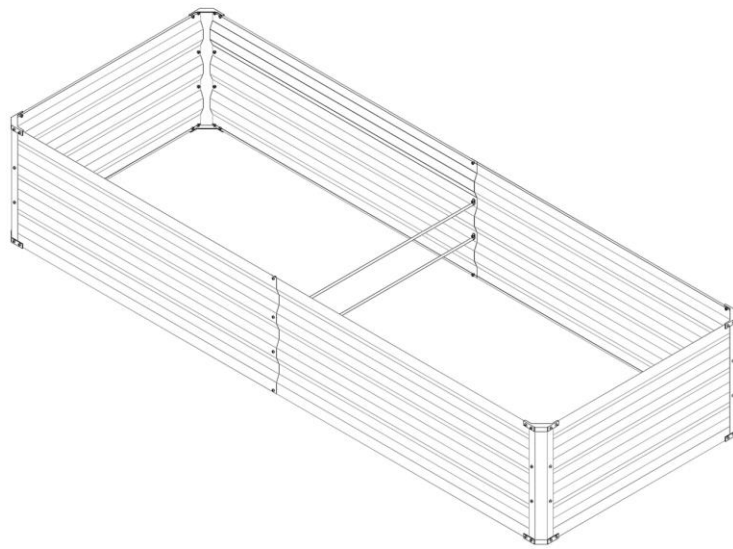


AREBOS

Metal Raised Garden Bed

AR-HE-MHB1/MHB2/MHB3



Please follow all safety measures in this user manual to ensure safe use.



Thank you for your trust in AREBOS.

Table of contents

1 Safety	3
1.1 Explanation of the symbols	3
1.2 Intended use	3
1.3 General safety instructions	3
2 Scope of delivery and technical data ...	4
2.1 Scope of Delivery	4
2.2 Technical Data	4
3 Assembly	5
4 Maintenance and care.....	6
4.1 Cleaning	6
5 Environmentally friendly disposal	6
5.1 Disposal and packaging	6
Imprint.....	7

Thank you for choosing our product. Please read the user manual carefully before using the product for the first time. If you give the product to a third party, this instruction must be passed with them. Keep the instruction manual for future reference. The drawings in this manual may not match the physical objects. Please refer to the physical objects.

1 Safety

1.1 Explanation of the symbols



Warning! Read the safety instructions carefully. Failure to follow safety precautions may result in serious injury or damage. Keep the instruction manual in a safe place.



Note: For safety reasons, wear work gloves during assembly!



Be careful when using this product.

1.2 Intended use

- This raised garden bed is intended for private outdoor use, e.g. in gardens, on terraces or balconies. Any other use is not intended and can entail considerable risks. The manufacturer assumes no responsibility for improper use. The product is intended for normal domestic use.

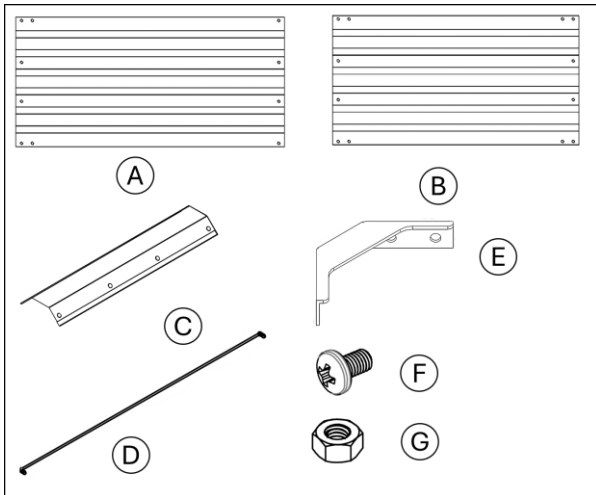
1.3 General safety instructions

- Please keep all safety guidelines and instructions for future reference. Make sure that all documents are passed on to the person to whom you are handing over the product.
- **Warning!** Risk of injury or choking in young children
- Keep packaging materials out of the reach of children as there is a risk of choking. Make sure that both the packaging and the product are kept safely away from children.
- **Caution!** This product is not a climbing frame or toy
- Do not allow children or other persons to climb or play with the product, as it could tip over and cause injury.
- Do not sit or stand on the product.
- Use the product only as intended to avoid accidents or damage.
- Wear gloves and goggles during assembly to protect yourself from sharp edges.
- For safe handling, it is recommended that two people help with the assembly and moving of the product.
- Make sure the assembly area is free of children and pets to prevent accidents.
- Check all parts for damage or defects before starting assembly. Do not use damaged parts.

- Mount the product on a flat, stable surface to ensure proper alignment and balance.
- Be careful when handling the parts, especially with sharp edges. File off sharp edges if necessary.
- Follow the instructions closely to ensure safe and correct construction.
- Do not fully tighten the screws or nuts until the assembly is complete.
- Once assembled, check the stability of the product and make sure all screws and nuts are tightened before adding soil or loads.
- Check the raised bed regularly for signs of wear and tear. Tighten loose screws and check for rust or damage, especially if the product is used outdoors

2 Scope of delivery and technical data

2.1 Scope of Delivery



No.	Designation	Quantity	
		180X90X30cm/Set of 2	180X90X45cm 240X90X45cm
A	Long side panel	8x	4x
B	Short side panel	4x	2x
C	Corner	8x	4x
D	Support bar	4x	2x
E	Corner protector	16x	8x
F	Bolts	112x	56x
G	Nuts	112x	56x

2.2 Technical Data

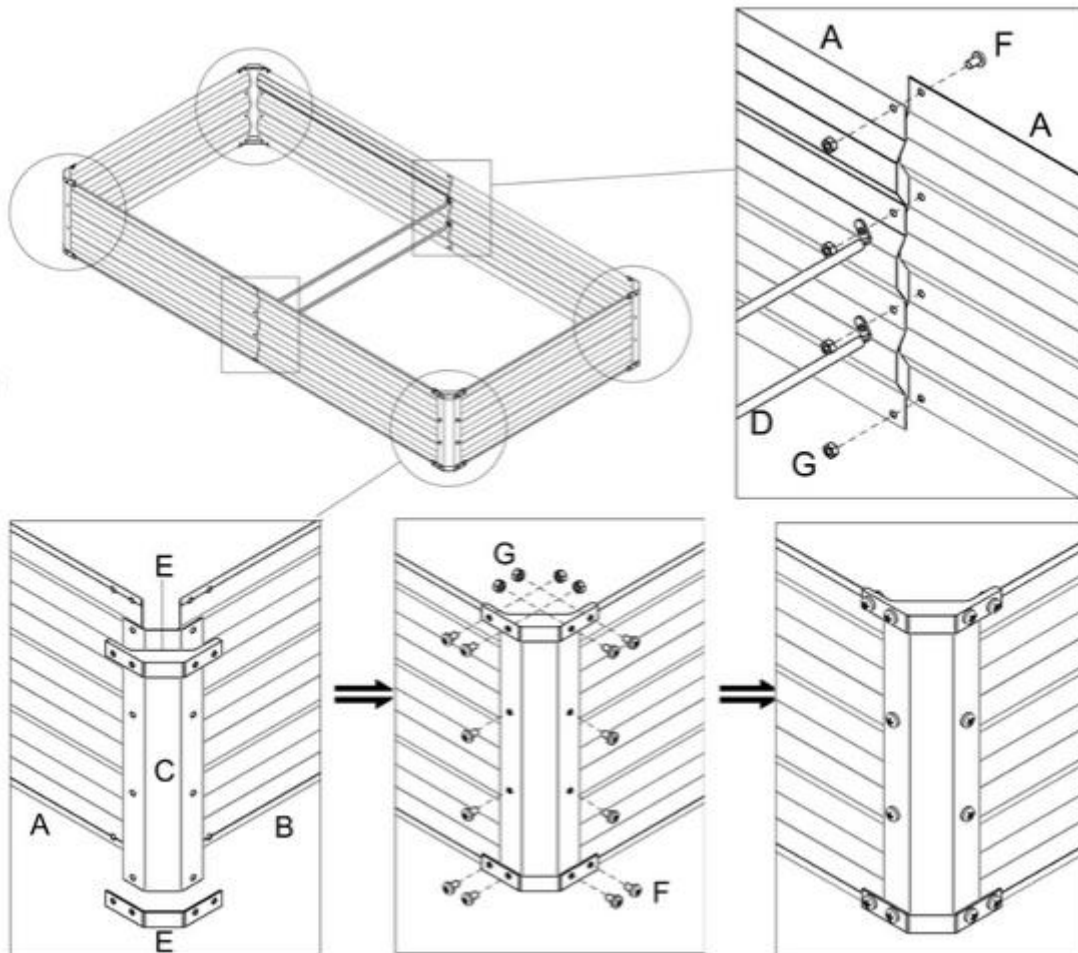
EAN	4252023125994	4252023126021	4252023126038
Model	AR-HE-MHB1	AR-HE-MHB2	AR-HE-MHB3
Overall Dimensions	180x90x30cm	180X90X45CM	240x90x45cm
Capacity	470L	705L	942L
Material	Steel		
Quantity	2	1	1
Weight	9.9KG	7 KG	8.4 KG

3 Assembly

The following is required for assembly:



- Attach the walls with the corresponding mounting material, see illustration:



4 Maintenance and care

4.1 Cleaning

- Allow all parts to dry thoroughly before storing the product. This prevents mould, odours or discolouration.
- Clean the product with a soft, dry cloth.

5 Environmentally friendly disposal

Warning: Choking hazard! Packaging material is dangerous for children. Never let children play with packaging materials.

5.1 Disposal and packaging

- The packaging of the item is made of materials necessary to ensure effective protection during transport. These materials are fully recyclable and thus reduce the environmental impact. Dispose of the packaging in a bin for recyclable materials.

Our customer service number: Tel. [Phone: +49 931 90 80 3000](tel:+4993190803000)

E-mail: info@arebos.de

Office address: Canbolat Vertriebs GmbH • Gneisenaustraße 10-11 • 97074 Würzburg

Imprint

Product Name: Metal Raised Bed

Model Number: AR-HE-MHB1/MHB2/MHB3

Item number: 4252023125994/4252023126021/4252023126038

If the product has a modification that has not been approved by us, this statement will lose its validity.

Date/Manufacturer's signature/Location:

Würzburg 25 September 2024



Signer identification:

Korhan Canbolat, Head of the Company

Technical Documentation Representative:

Korhan Canbolat

Office Address:

Canbolat Vertriebs GmbH

Gneisenaustraße 10-11

D-97074 Würzburg

The return address can be found in the imprint: <https://www.arebos.de/impressum/>

Sales tax identification number: DE 263752326 Commercial register court is Würzburg, HRB 10082WEEE Reg.-Nr. DE 61617071