

AREBOS

Floor plate for solar shower



Follow all safety precautions in this user manual to ensure safe use.



Thank you for your trust in AREBOS.



Choking hazard due to plastic bags!
Keep children away!

General safety instructions

- Remove the item completely from the packaging and check it for damage/cracks before using the base plate.
- Only store packaging parts (foils, plastic bags, polystyrene, etc.) in places that are not accessible to children, especially infants! Since packaging parts often pose unrecognizable hazards (e.g. risk of suffocation).

Specifications

	4260627426263	4260627428885
	AR-HE-BP	AR-HE-BPN
Color	Anthracite	Brown
Material	WPC	WPC
Metrics	101*63*5.5cm	101*63*5.5cm
Weight	2.5kg	2.5kg
Scope of delivery	1x base plate 4x M8*38mm screws 4x Washers	1x base plate 4x M8*38mm screws 4x Washers

Disposal Notice

Disposal and packaging

- Please ensure that the packaging is disposed of appropriately in accordance with the guidelines and standards applicable in your region. In some cases, the packaging may consist of plastic bags - take special care to ensure that these do not fall into the hands of children. There is a risk of suffocation!

Our customer service number: +49 (0) 931-45232700

Canbolat Vertriebs GmbH • Gneisenaustraße 10-11 • 97074 Würzburg

Imprint

Product Name: Floor Plate for Solar Shower
Item number: 4260627426263, 4260627428885
Model name: AR-HE-BP, AR-HE-BPN

If the article is modified without our consent, this declaration of conformity will lose its validity.

Date/Signature Manufacturer/Location:

Würzburg, 02.10.2024



Signature:
Dipl.-Inform. (Univ.) Korhan Canbolat, Managing Director

Representative of this Instruction Manual/ Technical Data:
Dipl.-Inform. (Univ.) Korhan Canbolat, Managing Director

Office Address:
Canbolat Vertriebs GmbH
Gneisenaustraße 10-11
97074 Würzburg

Return address can be found in the imprint: <https://www.arebos.de/impressum/>
Sales tax identification number: DE 263752326
The court of registration in the commercial register is Würzburg, HRB 10082
WEEE-Reg.-Nr. DE 61617071

AREBOS

Solar shower

AR-HE-SDTS / AR-HE-SDTB



Please follow all security measures in this user's manual to ensure a secure use.

Thank you for trusting in AREBOS.

List of contents

1. Safety instructions	3
1.1 Explanation of the symbols	3
1.2 General instructions	3
2. Parts list.....	4
3. Assemble instructions	5
4. Use	6
4.1 Initial set up of the shower.....	6
4.2 Notes on use	6
4.3 After use.....	6
4.4 Winterization.....	6
5. Technical specifications.....	7
6. Disposal instruction	7
6.1 Disposal of the packaging.....	7
6.2 Disposal of waste equipment.....	7
6.3 Meaning of the "dustbin"	7
EU Declaration of Conformity.....	8

Please read and save these instructions. Read through this user's manual carefully before using product. Protect yourself and others by observing all safety information, warnings and cautions. Failure to comply with instructions could result in personal injury and/or damage to product or property. Please retain instructions for future reference.

1. Safety instructions

1.1 Explanation of the symbols



Caution! Read the safety instructions carefully. Failure to follow the safety precautions could result in serious injury or damage. Keep the manual well!



Caution! Hot surface!

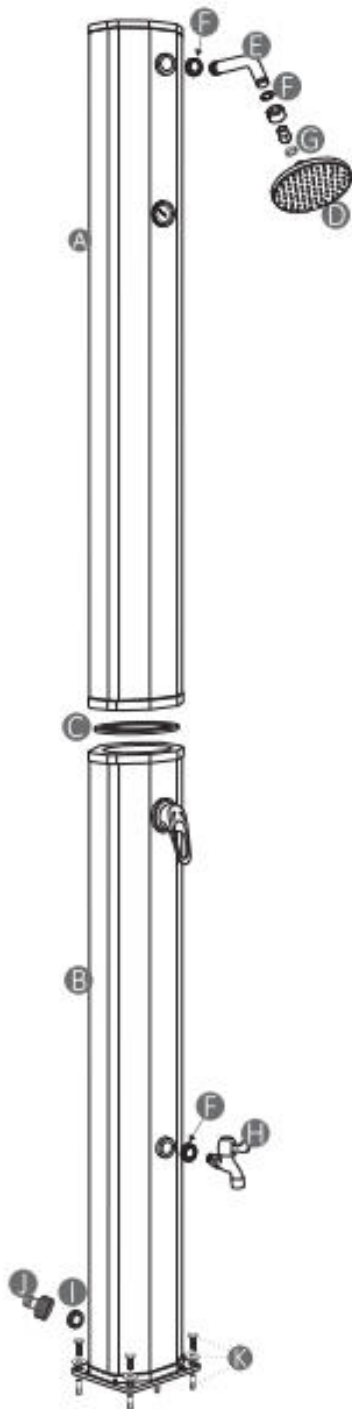









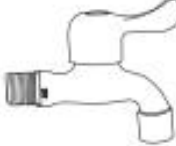



Caution! Hot water!

1.2 General instructions

- Chose a position for the shower where solar irradiation is a high as possible.
- Attach the shower to a concrete slab or a wooden foundation using the four threaded sleeves, four screws and four washers.
- Do not use road salt or other antifreeze, which might damage the shower. If you do use antifreeze, your warranty will be void.
- Recommended water pressure: 3.5 bar
- In order to avoid scald, always set the shower handle on cold water (blue) before taking a shower.
- Children should always be supervised by adults so that they do not scald themselves.
- Water temperature can reach up to 60°C at high solar irradiation. In order to avoid scald, make sure that shower handle is always set on cold water (blue) before taking a shower. That is why children should always be supervised by adults when using the shower so that they do not scald themselves

2. Parts list



A  1x	B  1x	C  1x
D  1x	E  1x	F  Ø 19 mm 3x
G  Ø 24 mm 1x	H  1x	I  Ø 19 mm 1x
J  1x	K  4x	

3. Assemble instructions

1. Choose a location which will receive as much sunlight as possible.
2. Mount the shower base to concrete slab or wood base with four bolts and nuts. Using a wrench is recommended (Fig. 1).
3. Attach shower head to extension pipe. Then connect extension pipe to the upper tube with an adjust nut. Do not use a wrench (Fig. 2).
- NOTE:** Do not forget gaskets when connection the shower head and extension pipe.
4. Put O-Ring on the slot of the lower tube (Fig. 3).
5. Lift upper tube on lower tube (Fig. 3).
6. Turn locking ring clockwise to securely connect upper tube to lower tube (Fig. 3).
- NOTE:** Handle and shower head need to face the same direction.
7. Put some teflon tape on the thread of thermometer. Then connect thermometer to shower by hand.

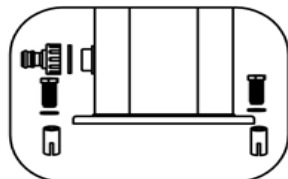
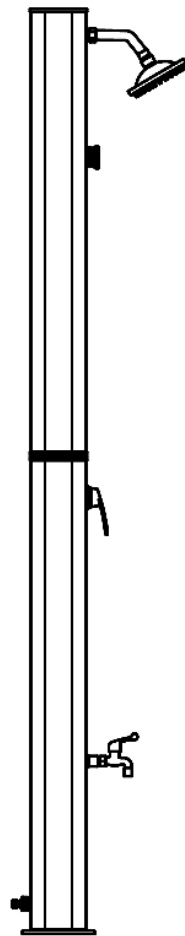


FIGURE 1

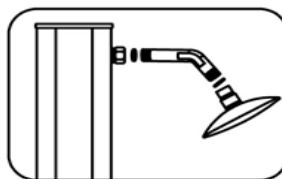


FIGURE 2

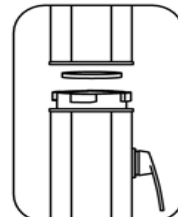


FIGURE 3

4. Use

4.1 Initial set up of the shower

1. Turn the handle to **FULL ON HOT** position.
NOTE: Filling in the water with the handle on the “full on hot” position ensures no air pockets are trapped in shower.
 2. Attach garden hose to hose connector. Turn on water supply to the garden hose to fill the shower. It will take 4-6 minutes to fill up the shower.
 3. When water flows from shower head, turn handle off. Turning the handle off makes the water begin to heat up in the tubes.
 4. Depending on the sunlight and outside temperature, the shower will take about two hours to fully heat up water.
 5. Water temperature in shower can reach up to 60°C in strong sunshine.
- **WARNING:** To avoid scald, pay attention to turn the handle to **COOL WATER (blue)** position before using the shower. Then set to desired temperature.

4.2 Notes on use

- Attention: If you have not used the solar shower for more than 3 days, we recommend that you run the water for 2 minutes before use to replace the water in the solar tank. Standing water in a warm environment can be a centre for dangerous bacteria!
Attention: Standing water in the tank no longer corresponds to drinking water quality!
 - Caution: The water in the solar tank can become hot due to sunlight. We therefore recommend that the cold/warm single-lever mixer tap is always positioned in the middle position (between hot and cold) at the beginning. Then it can be turned to the desired temperature.
1. Turn the cold/warm single-lever mixer tap to the "ON" position and you can enjoy your "solar" heated water. Note: The water supply must be turned on for the shower to work.
 2. turn off the water supply to the shower when you are finished.

4.3 After use

- The shower does not have an aqua-stop. Accordingly, the supply must be turned off after use.

4.4 Winterization

1. Turn off and disconnect garden hose.
2. Open the handle to “full on hot” position and allow water to drain from hose connector (approximately 8-10 minutes).
NOTE: Do not touch or turn handle while draining the water, otherwise water will stop draining out.
3. Turn locking ring counter clockwise to unthread upper tube and lower tube.
4. Unbolt lower tube and pour remaining water out of the tube.
5. Clean and dry the shower parts.
6. Store the shower indoors in a dry place during winter season. Prevent the shower from frostbite.

NOTE:

- **Do not use salt or other anti-freezing methods.**
- **Recommended water pressure: 3.5 bars.**

- Always start your shower from cool to avoid injury.
- When initially using the shower please let water run for several minutes and clean the inner parts of the shower with running water in order to get rid of plastic and oil smell.

5. Technical specifications

Model	AR-HE-SDTB
Tank capacity	35 l
Max. Water temperature	60°C
Material	Plastic chromed
Size mounting plate of the shower	7.09 x 5.71 in (18 x 14.5 cm)
Height of the shower head	76.8 in (195 cm)
Height of the shower	86.6 in (220 cm)
Diameter shower head	5.9 in (15 cm)
Water pressure	3.5 bar
Net weight	19.90 lbs (9.0 kg)
Colour	Black

6. Disposal instruction

6.1 Disposal of the packaging

- Please make reference to the guidelines and standards for appropriate disposal of the packaging valid in your region. In part, the package may consist of plastic bags - watch this respect, with special care to ensure that this is not out of the reach of children. There is a risk of suffocation!

6.2 Disposal of waste equipment

- Equipment must be disposed of in accordance with the rules and regulations of the local waste disposal.
- At the end of the long life of your article, please dispose of the valuable raw materials for proper disposal so that proper recycling can take place. If you are not sure how to proceed, the local waste disposal companies or recycling centers are happy to help.

6.3 Meaning of the "dustbin"



Protect our environment; electrical appliances do not belong in household waste. Use the provided for the disposal of electrical equipment collection points and enter your electrical and electronic equipment that you no longer use. They help ensure that the potential effects of incorrect disposal on the environment and human health to be avoided. So, do your part to recycle, recycling and other forms of recovery of waste electrical and electronic equipment. Information on where the devices are disposed of, please contact your local authorities or local Governments.

Our customer service number: +49 (0) 931-45232700

EU Declaration of Conformity

We,

Canbolat Vertriebs GmbH, Gneisenaustraße 10-11, 97074 Würzburg, Germany,

Hereby declare that the product named below, seen its design and construction as well as according to our sales, has been complied with the relevant and basic health and safety EU-requirements.

Name of the product: AREBOS Solar Shower

Model Nr.: AR-HE-SDTS / AR-HE-SDTB

Art. Nr.: 4260627426287 / 4260627426270

If the product has any modification not allowed by us, this declaration loses its validity.

Tested acc. to:

EU Standard

EN 817:2008

EN 1112:2008

EN 200 :2008

EC NO.1907/2006 REACH

Date/Manufacturer Signature/Location:

Würzburg, 08/11/2023



Identification of the signatory:

Korhan Canbolat, head of the company

Authorised representative for the technical documentation:

Korhan Canbolat

Office address:

Canbolat Vertriebs GmbH

Gneisenaustraße 10-11

D-97074 Würzburg

TEL: +44 208 068 5604

FAX: +49 931 4523 2799

Email: Info@arebos.de

Return address can be found in the imprint: <https://www.arebos.de/impressum/>

VAT identification number: DE 263752326

Court of the Commercial Register is Würzburg, HRB 10082

WEEE Reg.-No. DE 61617071