

Original instruction manual – AREBOS Wooden Raised Bed

# AREBOS

## Wooden raised bed

AR-HE-HHB/HHBF



Please follow all safety measures in this user manual to ensure safe use.



Thank you for your trust in AREBOS.

# Table of contents

<b>1 Safety .....</b>	<b>3</b>
1.1 Explanation of the symbols .....	3
1.2 Intended use.....	3
1.3 General safety instructions .....	3
<b>2 Scope of delivery and technical data ...</b>	<b>4</b>
2.1 Scope of Delivery.....	4
2.2 Technical Data .....	5
<b>3 Assembly .....</b>	<b>6</b>
<b>4 Maintenance and care.....</b>	<b>8</b>
4.1 Care and protection of the material:.....	8
<b>5 Environmentally friendly disposal .....</b>	<b>8</b>
5.1 Disposal and packaging .....	8
<b>Imprint.....</b>	<b>9</b>

Thank you for choosing our product. Please read the user manual carefully before using the product for the first time. If you give the product to a third party, this instruction must be passed with them. Keep the instruction manual for future reference. The drawings in this manual may not match the physical objects. Please refer to the physical objects.

# 1 Safety

## 1.1 Explanation of the symbols



**Warning!** Read the safety instructions carefully. Failure to follow safety precautions may result in serious injury or damage. Keep the instruction manual in a safe place.



Choking hazard due to plastic bags!  
Keep children away!

## 1.2 Intended use

- This raised bed is intended for private outdoor use, e.g. in gardens, on terraces or balconies. Any other use is not intended and can entail considerable risks. The manufacturer assumes no responsibility for improper use. The product is intended for normal domestic use and can support up to 100 kg (planting area) / 40 kg (storage area).

## 1.3 General safety instructions

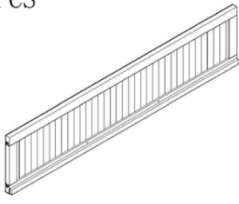



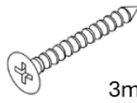



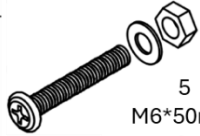

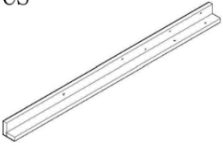
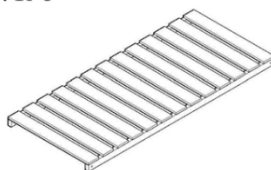


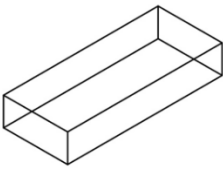

- Prevent anyone, especially children, from climbing on or playing with the product. This could cause the product to tip over and lead to injuries.
- Do not sit or stand on the product.
- Be careful when assembling. Avoid working near power tools or equipment with small parts such as nuts and bolts to prevent injury or damage.
- Make sure that the product is only used for its intended purpose to avoid accidents or damage.
- Do not exceed the maximum weight capacity of 100 kg (planting area) / 40 kg (storage area). Overuse can lead to injury or damage.
- We recommend wearing gloves and safety goggles during installation.
- For safe handling, it is recommended that two people move the product to avoid accidents or damage.
- Make sure the mounting area is clear and keep children or pets away to avoid accidents. This is not a toy.
- Use only the recommended tools, such as a Phillips screwdriver and an adjustable wrench. Do not over-tighten the screws to avoid damage or injury.
- Regularly check the wooden parts of the raised bed for worn or broken areas in order to smooth them out again with sandpaper or wooden files.
- Assemble the product on a flat, stable surface to ensure proper alignment and balance.

- Some parts can be heavy or unwieldy. It is advisable that a second person helps with the assembly.
- Handle all parts with care, especially sharp edges. File off any sharp edges if necessary.
- Follow the assembly instructions carefully to ensure safe and correct assembly and minimize the risk of injury or damage.
- Once assembled, check the stability of the raised bed and make sure that all screws and nuts are tightened before adding soil or other loads.
- Do not fully tighten the nuts until the entire setup is complete.

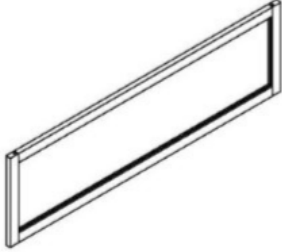





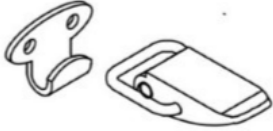
## 2 Scope of delivery and technical data

### 2.1 Scope of Delivery



Parts list for the body of **AR-HE-HHB** and **AR-HE-HHBF**

<p>A: 2PCS</p> 	<p>B: 2PCS</p> 	<p>C: 4PCS</p>  <p>D: 4PCS</p> 	 <p>1 3mm*40mm 12x</p>  <p>2 3mm*30mm 24x</p>  <p>3 3mm*25mm 8x</p>  <p>4 3mm*20mm 20x</p>  <p>5 M6*50mm 4x</p>
<p>E: 2PCS</p> 	<p>F: 2PCS</p> 		
<p>G: 1PC</p> 	<p>H: 1PC</p> 		
<p>I: 2PCS</p> 	<p>K: 1PC</p> 		
<p>J: 2PCS</p> 			

Parts List for **AR-HE-HHBF Cover**

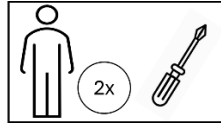
A: 1PC 		B: 2PCS 	
C: 1PC 		D: 1PC 	
1: 3. 5*35=8PCS 	2: 3*16=18PCS 	3: =3set 	

2.2 Technical Data

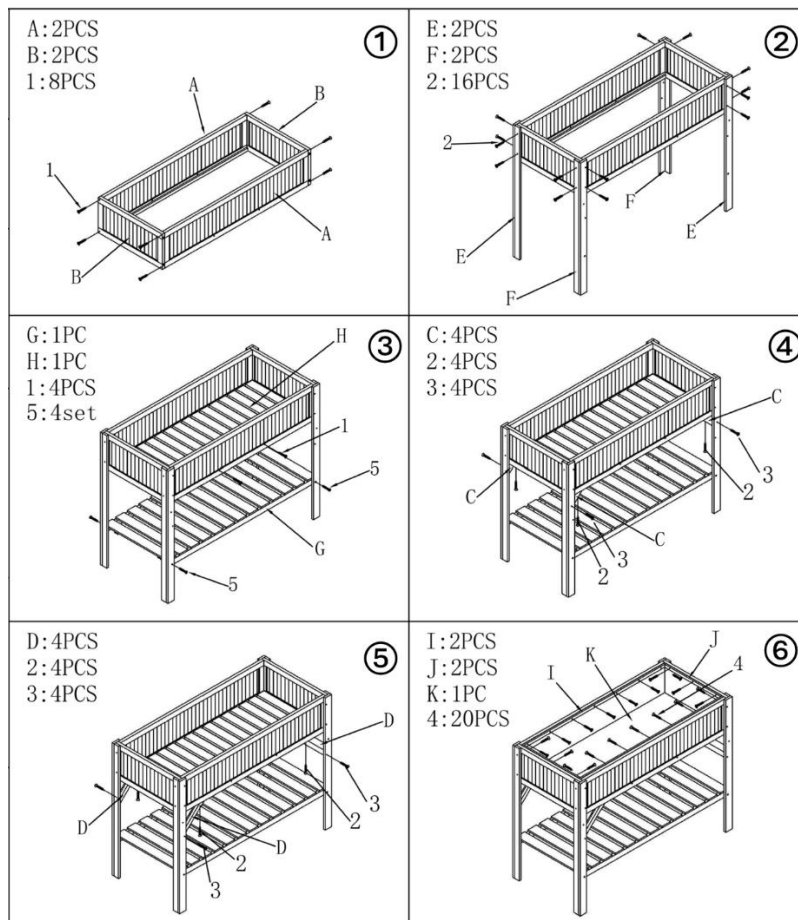
	 AR-HE-HHB	 AR-HE-HHBF
<b>EAN</b>	<b>4252023126267</b>	<b>4252023126274</b>
<b>Model</b>	<b>AR-HE-HHB (without cover)</b>	<b>AR-HE-HHBF (with cover)</b>
<b>Overall Dimensions</b>	<b>119*53*90 cm</b>	<b>119*53*124 cm</b>
<b>Capacity</b>	<b>103 liters</b>	<b>103 liters</b>
<b>Weight</b>	<b>10 kg</b>	<b>13 kg</b>
<b>Max. load capacity planting area</b>	<b>100 kg</b>	<b>100 kg</b>
<b>Max. load capacity storage area</b>	<b>30 kg</b>	<b>30 kg</b>

### 3 Assembly

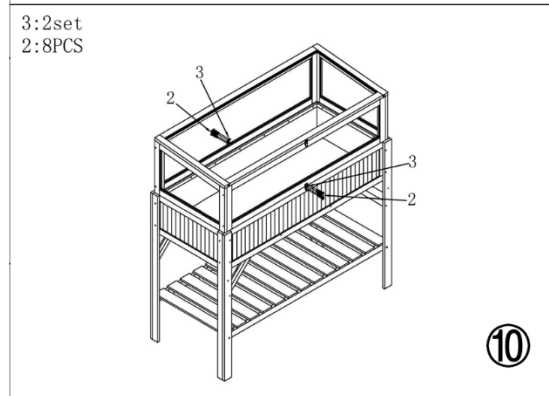
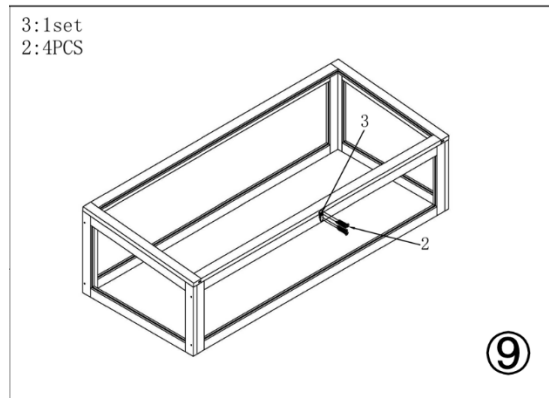
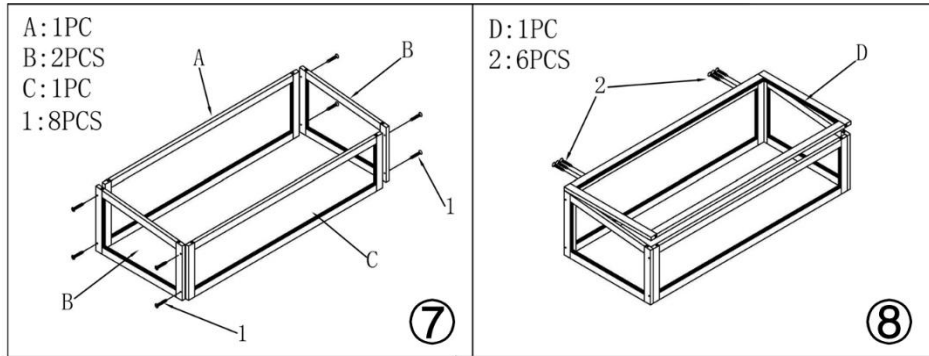
The following is required for assembly:



- The following assembly steps apply to both **AR-HE-HHB (without cover)** and **AR-HE-HHBF (with cover)**
1. Connect two long side panels A and two short side panels B with 8 pieces of screws No. 1.
  2. Connect two legs E and two legs F with 8 screws No. 2.
  3. Insert the bottom plate H into the upper planter and secure the shelf G with 4 screws No. 5.
  4. Attach four small wooden blocks C with 4 screws No. 2 and 4 screws No. 3.
  5. Attach four long fastening strips D with 4 screws No. 2 and 4 screws No. 3.
  6. After placing the non-woven fabric K in the planter, fix it with 20 screws No. 4 together with two long drawbars I and two long drawstrips J.



- The following assembly steps only apply to **AR-HE-HHBF (with cover)**
7. Attach a front panel C, a back panel A and two side panels B with 8 pieces of screws No. 1.
  8. Secure the D-plate with 6 No. 2 screws.
  9. Attach a locking pin 3 with 4 screws No. 2.
  10. Attach the cover frame to the planter, and then attach two locking pins 3 with 8 pieces of screws No. 2.



## 4 Maintenance and care

### 4.1 Care and protection of the material:

Wood is a natural product that reacts to the elements, absorbs or releases moisture, and can thus develop hairline cracks, but these do not affect its quality and stability. Weather and rain can cause changes in colour and shape as well as mould growth, which damages the wood structure in the long term. For protection, products should be treated with wood protection glaze, wood oil or weatherproof paint – always on dry wood. UV light can also cause color changes and fading, which can also be avoided by protective treatment.

#### **Cleaning:**

Clean the raised bed with warm water, soapy water, cotton cloths or sponges. Avoid harsh detergents or high-pressure cleaners, as they can damage the wood. Regular cleaning protects against mildew stains and rust. In the case of stubborn soiling, treatment with care products or wood oil may be necessary.

#### **Cover:**

Protect the raised bed from rain. After a thunderstorm, water should be wiped off. Tarpaulins must not lie directly on top of it to allow air circulation. For example, use wooden strips as spacers. Products should not be stored under tarpaulins for a long time in winter to avoid mildew stains caused by condensation.

#### **Overwintering:**

Store the raised bed frost-free, but not in very dry or warm rooms to prevent stress cracking. Wood is a natural product and reacts to weather influences, which can lead to hairline cracks or color changes. However, these do not affect stability.

#### **Protective measures:**

Treat the wood regularly with wood protection glaze, wood oil or weatherproof paint to prevent mould growth, warping and UV-related fading. Paint the wood only when it is completely dry.

## 5 Environmentally friendly disposal

**Warning: Choking hazard!** Packaging material is dangerous for children. Never let children play with packaging materials.

### 5.1 Disposal and packaging

- The packaging of the item is made of materials necessary to ensure effective protection during transport. These materials are fully recyclable and thus reduce the environmental impact. Dispose of the packaging in a bin for recyclable materials.

**Our customer service number: Tel. [Phone: +49 931 90 80 3000](tel:+4993190803000)**

**E-mail: [info@arebos.de](mailto:info@arebos.de)**

Office address: Canbolat Vertriebs GmbH • Gneisenaustraße 10-11 • 97074 Würzburg



## Imprint

Product Name: Wooden Raised Bed  
Model Number: AR-HE-HHB, AR-HE-HHBF  
Item number: 4252023126267, 4252023126274

If the product has a modification that has not been approved by us, this statement will lose its validity.

Date/Manufacturer's signature/Location:

Würzburg 04 Dezember 2024



Signer identification:  
Korhan Canbolat, Head of the Company

Technical Documentation Representative:  
Korhan Canbolat

**Office Address:**  
Canbolat Vertriebs GmbH  
Gneisenaustraße 10-11  
D-97074 Würzburg

The return address can be found in the imprint: <https://www.arebos.de/impressum/>

Sales tax identification number: DE 263752326 Commercial register court is Würzburg, HRB 10082WEEE Reg.-Nr. DE 61617071