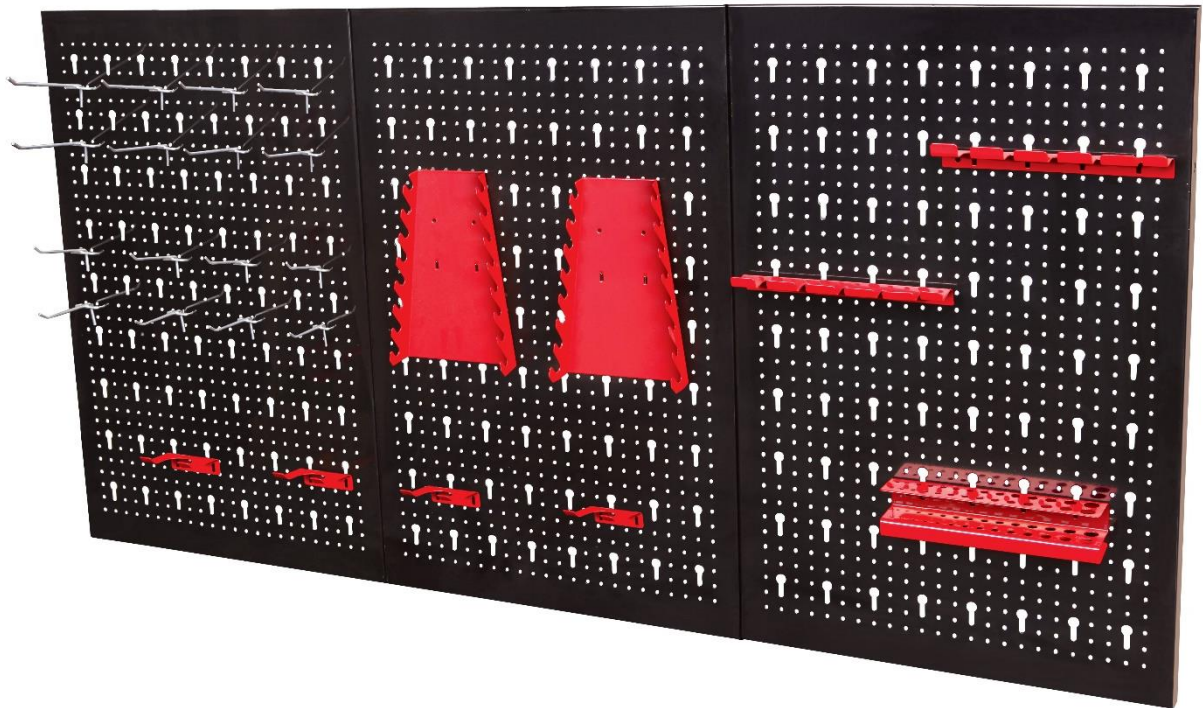


AREBOS

Metal Tool Wall

AR-HE-WW17R/B



Follow all safety precautions in this user manual to ensure safe use.

Thank you for your trust in AREBOS.

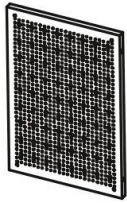
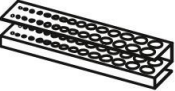
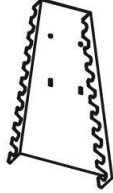








Thank you for purchasing our product. Please read the user manual carefully before using the product for the first time. If you leave the product to a third party, this operating manual must be handed over with it. Keep the instruction manual for future reference. The drawings in this manual may not match the physical objects. Please refer to the physical objects.

Properties

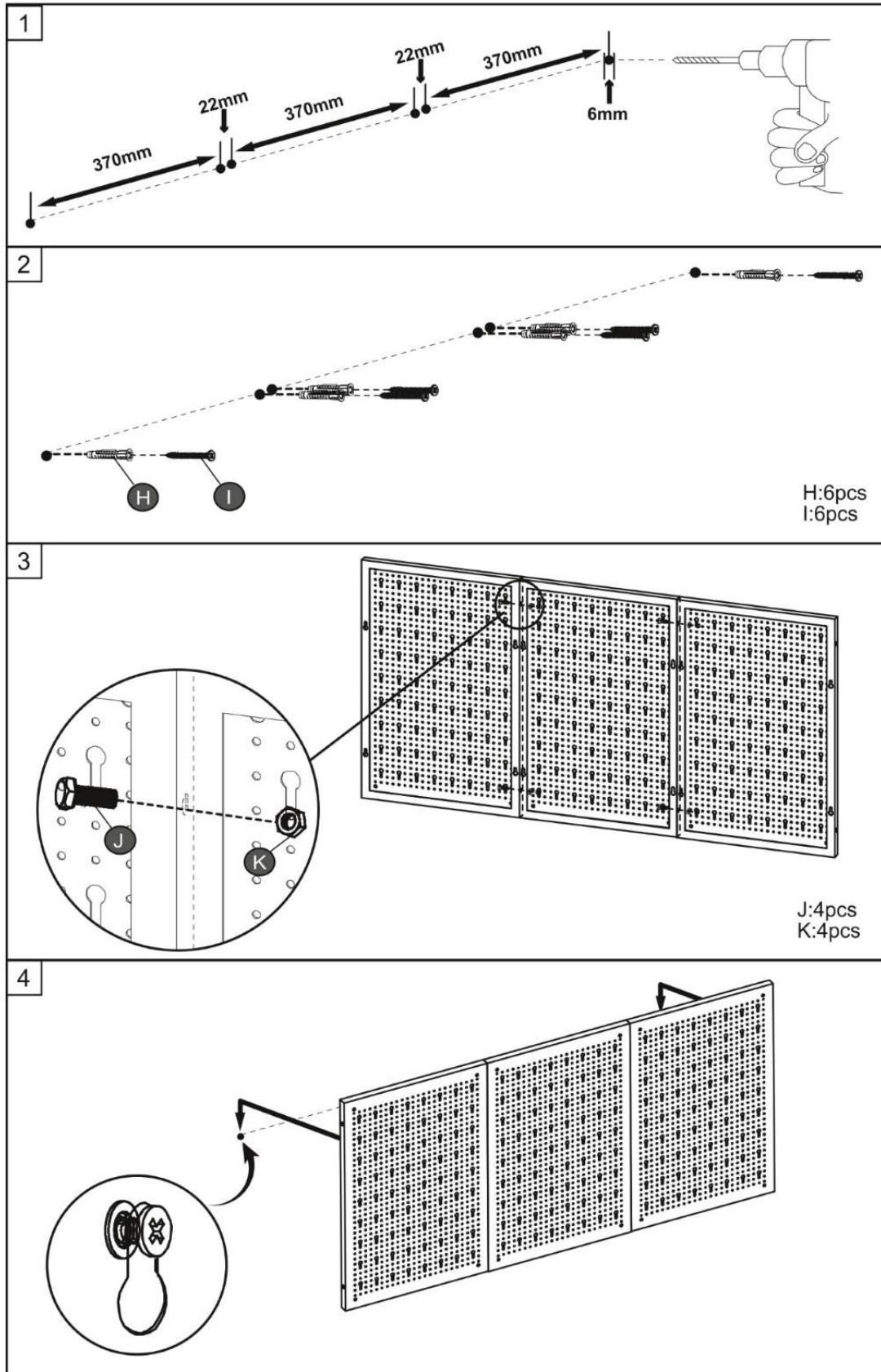
- Perforated wall ideal for the workshop or garage
- Can also be used as 3 independent perforated walls
- Tool holder can be inserted variably
- Extremely space-saving
- Easy installation
- Versatile use
- Incl. 17-piece tool holder set (various holders, suspensions, hooks)

Assembly

Scope of delivery:

<p>A</p>  <p>3pcs</p>	<p>B</p>  <p>1pcs</p>	<p>C</p>  <p>2pcs</p>	<p>D</p>  <p>4pcs</p>
<p>E</p>  <p>2pcs</p>	<p>F</p>  <p>4pcs</p>	<p>G</p>  <p>4pcs</p>	<p>H</p>  <p>8x40 6pcs</p>
<p>I</p>  <p>ST5X45 6pcs</p>	<p>J</p>  <p>M6X20 4pcs</p>	<p>K</p>  <p>M6 4pcs</p>	


Assembly:



Technical data

Total dimensions (mounted side by side)	117.6 x 59.5 x 2 cm
Dimensions per perforated wall	39 x 59.5 x 2 cm
Thickness	0.8 mm
Colour perforated wall	Black
Color Brackets	Red/ Blue
Weight	6.3 kg

Environmentally friendly disposal

 **WARNING! from the risk of suffocation!** Packaging material is dangerous for children. Never let children play with packaging material.

Disposal and packaging

- The packaging of your device is made of materials necessary to guarantee effective protection during transport. These materials are fully recyclable and thus reduce the environmental impact. Dispose of the packaging in a bin for recyclable materials.

Disposal of old equipment

- WEEE must be disposed of in accordance with the guidelines and the regulations of local waste disposal. Contact your local administration about the address of the nearest recycling center and deliver your device there.

Our customer service number: Tel. +49 (0) 931 9080 3000

Fax: +49 (0) 931 4523 2799 / E-Mail: info@arebos.de

Office address: Canbolat Vertriebs GmbH • Gneisenaustraße 10-11 • 97074 Würzburg

Return address can be found in the imprint: <https://www.arebos.de/impressum/>

Imprint

Product Name: AREBOS Metal Tool Wall
Model Number: AR-HE-WW17R/B
Item number: 4260551580543 (red)/ 4260627427437 (blue)

If this product is modified without our consent, it loses the right to any warranty.

Date/Signature Manufacturer/Location: Würzburg,

11.12.2024



Signature:

Dipl.-Inform. (Univ.) Korhan Canbolat, Managing Director

Representative of this Instruction Manual/ Technical Data:
Dipl.-Inform. (Univ.) Korhan Canbolat, Managing Director

Office Address:
Canbolat Vertriebs GmbH
Gneisenaustraße 10 – 11
97074 Würzburg

Return address can be found in the imprint: <https://www.arebos.de/impressum/>

Sales tax identification number: DE 263752326
The court of registration in the commercial register is Würzburg, HRB 10082
WEEE-Reg.-Nr. DE 61617071