

Fable Kids

love inspired.



Child seat set

ARNE



Thank you for your trust in **Fable KIDS**

Read the instructions carefully before use and keep them for future reference.



Dear parents,

Thank you for choosing our product

. Please read the user manual carefully
before using the product for the first time.

If you give the product to a third party,
these instructions must also be provided.

Keep the instruction manual for future reference.

The drawings in this manual may not correspond to the actual
objects. Please refer
to the physical objects.

Table of Contents

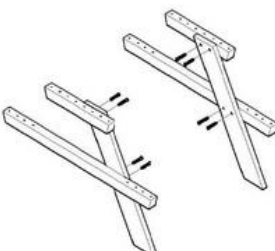
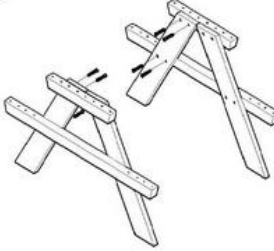
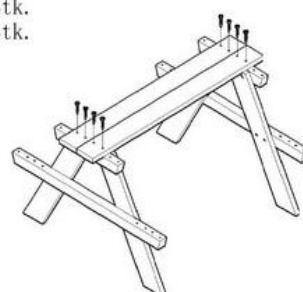
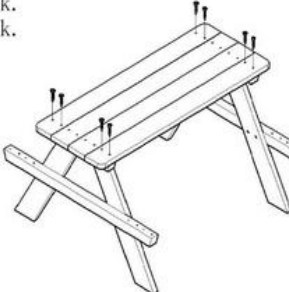
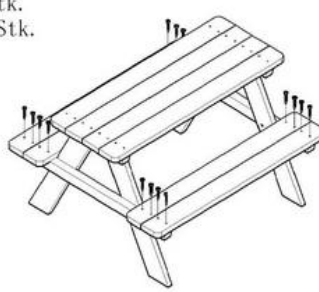









<u>1. Parts list and construction</u>	1
<u>2. Technical data</u>	2
<u>3. Safety instructions</u>	3
<u>4. Cleaning, maintenance & storage</u>	4
<u>5. Environmentally friendly disposal</u>	5



1. Parts list and construction

To assemble the seating set, please proceed as follows:

- Make sure that all screws and individual parts are firmly installed to ensure safe use.

<p>A: 2Stk. B: 2Stk. C: 2Stk. F: 8Stk.</p>  <p>1</p>	<p>C: 2Stk. F: 8Stk.</p>  <p>2</p>	<p>D: 2Stk. H: 8Stk.</p>  <p>3</p>		
<p>E: 2Stk. H: 8Stk.</p>  <p>4</p>	<p>E: 4Stk. G: 16Stk.</p>  <p>5</p>			
<p>A: 2Stk.</p> 	<p>C: 4Stk.</p> 	<p>E: 6Stk.</p> 	<p>F: M7*45=16Stk.</p> 	
<p>B: 2Stk.</p> 	<p>D: 2Stk.</p> 		<p>G: 3. 5*40=32Stk.</p> 	<p>I: 1Stk.</p> 

2. Technical data

Designation	Specification
Max. load capacity	100 kg
Material	Chinatanne
Dimensions built up	89*78*50 cm
Seat	Approx. 28 cm
Weight	6.2 kg

3. Safety instructions



WARNING

Important: Please read these instructions carefully before use and keep them for future reference. Your child's safety may be at risk if these instructions are not followed. Failure to follow these warnings and instructions can result in serious injury or death.

- If children play with the packaging or small parts, they can swallow them and choke on them!
 - Do not let children play with the wrapping film.
 - Keep children away when taking the play table out of the box and assembling it.
 - Have the console unpacked and assembled by an adult.
 - You should immediately eliminate all the original packaging.
- Children's seating under a window can serve as a step for the child and cause the child to fall out of the window.
- Care must be taken to ensure that the product is not placed near an open flame or other strong sources of heat.
- Do not place the furniture near any other product that could pose an external risk of choking or strangulation, such as cords, roller blinds, curtain cords or the like.
- The assembly must take place without children.
- The item is not to be used if screws or parts are missing or damaged.
- Injury! Damaged or incorrectly assembled parts can affect the safety and function of the product.
- Recommended for children aged 2-7 years.
- Explain to the children the correct handling of the children's seating set and never leave them unattended while playing.
- Check the wooden parts of the children's seat set from time to time for worn or broken areas in order to smooth them out again with sandpaper.
- Installation of the children's seating set on as flat a surface as possible with an open environment.
- The seats of the children's seating set can be loaded with a maximum load of 100 kg.

4. Cleaning, maintenance and storage

- When in use, screws should be tightened from time to time so that everything is tight and nothing wobbles.
- In a natural product made of wood, irregularities in colour and structure are characteristic and do not constitute a defect. Longer periods of heat can cause dry cracks, which cannot be avoided by the manufacturer.
- The wood of the seating set is treated with an environmentally friendly, water-based saliva and sweat-resistant glaze and is therefore only partially weatherproof. To avoid weathering and mildew stains, it is therefore recommended to treat the wood with a wood glaze designed for this purpose, which should be repeated annually.
- For storage in winter, we recommend a dry place with air circulation

5. Environmentally friendly disposal

Warning: Choking hazard! The packaging material is dangerous for children. Never let children play with the packaging material.

5.1 Disposal and packaging The packaging of the device consists of materials that are necessary for effective protection during transport. These materials are fully recyclable and thus reduce the environmental impact. Dispose of the packaging in a container for recyclables.

5.2 Disposal of old equipment Old equipment must be disposed of in accordance with the guidelines and regulations of the local waste management authorities. Contact your local authorities to get the address of the nearest recycling center and drop off the device.

The actual design of the products may differ from the pictures shown. All images in this user manual are for reference only.

The product has been tested and complies with the following standards:

EN17191:2021

EN 71-3





Company headquarters:
Mythical children
Gneisenaustrasse 10 - 11
D 97074 Würzburg

Please find the return address in the imprint:
[https:// www.fable-kids.com](https://www.fable-kids.com)

Sales tax identification number: DE 263752326
The registration court in the commercial register is Würzburg, HRB 10082
N. Reg. Roggen 61617071



Headquarters: FableKids • Gneisenaustraße 10-11 • 97074
Würzburg



Contact Customer Service:
Phone +49 (0) 931 90 80 3000



E-Mail: info@fable-kids.com

