

AREBOS

Hydraulic Trolley Jack 3 T

AR-HE- HRW3



Please follow all security measures in this user's manual to ensure a secure use.



Thank you for trusting in AREBOS.

List of contents

1. Safety instructions	3
1.1 Explanation of the symbols	3
1.2 General safety instructions	3
2. Construction	5
2.1 Overview of product.....	5
2.2 Control before use.....	5
2.3 Attaching the saddle, front wheels, rear wheels	6
2.4 Attaching the Handle.....	6
3. Operation	7
3.1 Bleeding.....	7
3.2 Adding Hydraulic Fluid.....	7
3.3 Lifting and Lowering	8
3.3.1 Lifting.....	8
3.3.2 Lowering	9
4. Explosion view	10
5. Cleaning, Maintenance, and Lubrication	
12	
6. Troubleshooting.....	13
7. Specifications	14
8. Environmentally friendly disposal	14
8.1 Disposal and packaging	14
8.2 Disposal of old equipment.....	14
EC Declaration of Conformity	15

Thank you for purchasing our product. Please read the operating instructions carefully before using the product for the first time. If you give the product to a third party, this manual must be handed over with it. Keep the instruction manual for future reference. The drawings in this manual may not match the physical objects. Please refer to the physical objects.

1. Safety instructions

1.1 Explanation of the symbols



By means of a CE marking, it can be recognized that a product complies with the legal provisions of European legal standards and therefore may be traded within the European Community.



Warning! Read the safety instructions carefully. Failure to follow the safety precautions could result in serious injury or damage. Keep the operating instructions in a safe place.



Be careful when using this product.



Warning! Danger of crushing the hands.



this product has been tested and certified by TÜV Rheinland. The symbol "GS" stands for tested safety. Products marked with this symbol comply with the requirements of the German Product Safety Act (ProdSG).

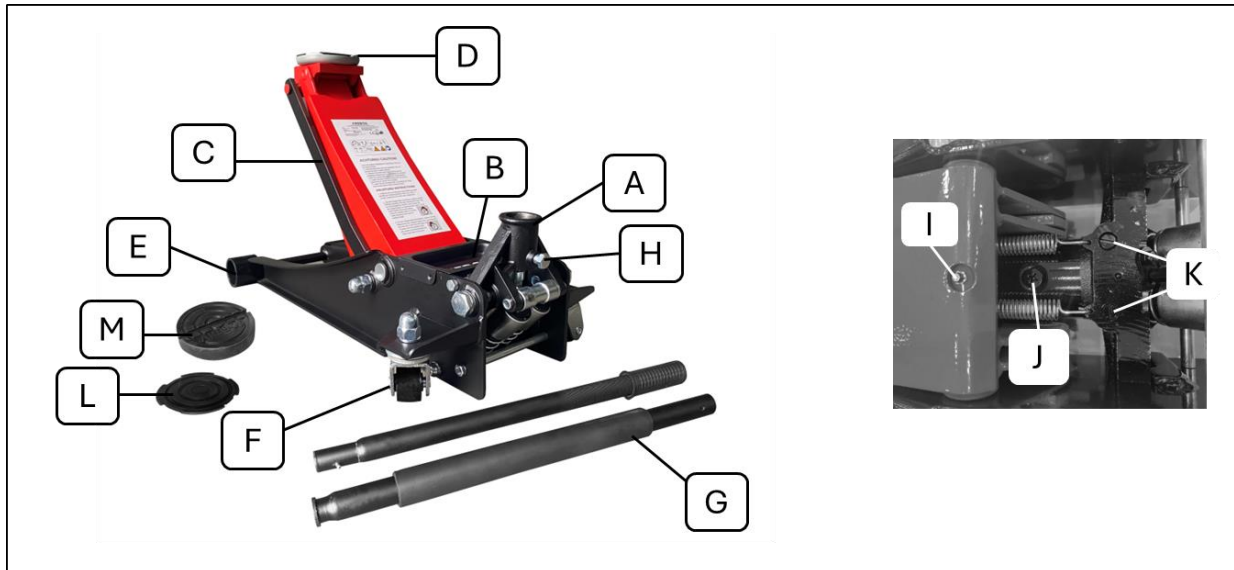
1.2 General safety instructions

- This jack is designed for lifting objects only and shall be supported by adequate aid, such as a stand.
- Make sure that the lifted object is firmly fixed to the jack.
- Do not use the jack while people are in or leaning against the vehicle.
- Do not exceed the permissible load.
- Do not use any extensions other than those attached to the jack.
- Wear safety goggles and heavy-duty work gloves during use.

- Use the jack only on a firm surface that can support the load.
- Make sure that the jack is central and stable with its supporting saddle under the object and the lifting point.
- You must ensure that the safety instructions and labels are always clearly visible and not soiled. If they need to be replaced, contact your supplier.
- Read the supplied instructions carefully before use.
- Failure to follow these instructions can lead to damage to the lift and/or the vehicle and/or a person.
- This manual should be kept in a safe place so that it can be used and/or maintained later.
- This jack is filled with high quality hydraulic oil. Use suitable hydraulic oil at extremely low temperatures. Use only high-quality oil. Avoid mixing different oils. Never use brake fluid, alcohol, cleaning agents, turbine oil, gear oil, engine oil or glycerin or contaminated soils. The latter can cause damage to the jack or impair its function.
- Never adjust the adjusting screws on the hydraulic unit.
- The operator should watch the lifting device and the load during all movements.
- It is not allowed to work under the raised load until it is secured by suitable means.
- This jack is for lifting purposes only and it is not designed for the lifting of person.
- The hydraulic jack could not be operated in potentially explosive atmosphere and severe conditions, e.g. extreme climates, freezer application and strong magnetic fields.
- The hydraulic jack could not be operated in potentially explosive atmospheres, e.g. mines.
- Be careful of handling of loads, the nature of which could lead to dangerous situations, e.g. molten metal, acids, radiating materials, especially brittle loads.
- The A-weighted emission sound pressure level of this product is less than 70dB(A).
- Maybe residual risks unspecified in the label could be remained; always wear PPE during the operation.
- The product is not allowed to operate on sea ships.
- The jack is designed to work at a rated load in a temperature range of -20°C to +50°C.
- No modifications shall be carried out which adversely affect the compliance of the jack with standard EN 1494 or the essential requirements of the Machinery Directive 2006/42/EC.
- The hydraulic jack shall be operated by an additional person to lower the manual force on handle.
- The product is not allowed to contact with foodstuffs directly.
- **IMPORTANT!** Before first use: Check hydraulic fluid, level and fill to 1/4" below the fill port as needed. Thoroughly test the jack for proper operation. If it does not work properly, bleed air from its hydraulic system.

2. Construction



2.1 Overview of product



- A. Handle Socket
- B. Cover Plate
- C. Lifting arm
- D. Saddle
- E. Front wheel
- F. Rear caster
- G. Handle (Upper + Lower part)
- H. Knurled Knob
- I. Grease Fitting
- J. Oil Fill Screw
- K. Safety Valve Covers
- L. Rubber pad
- M. Rubber pad

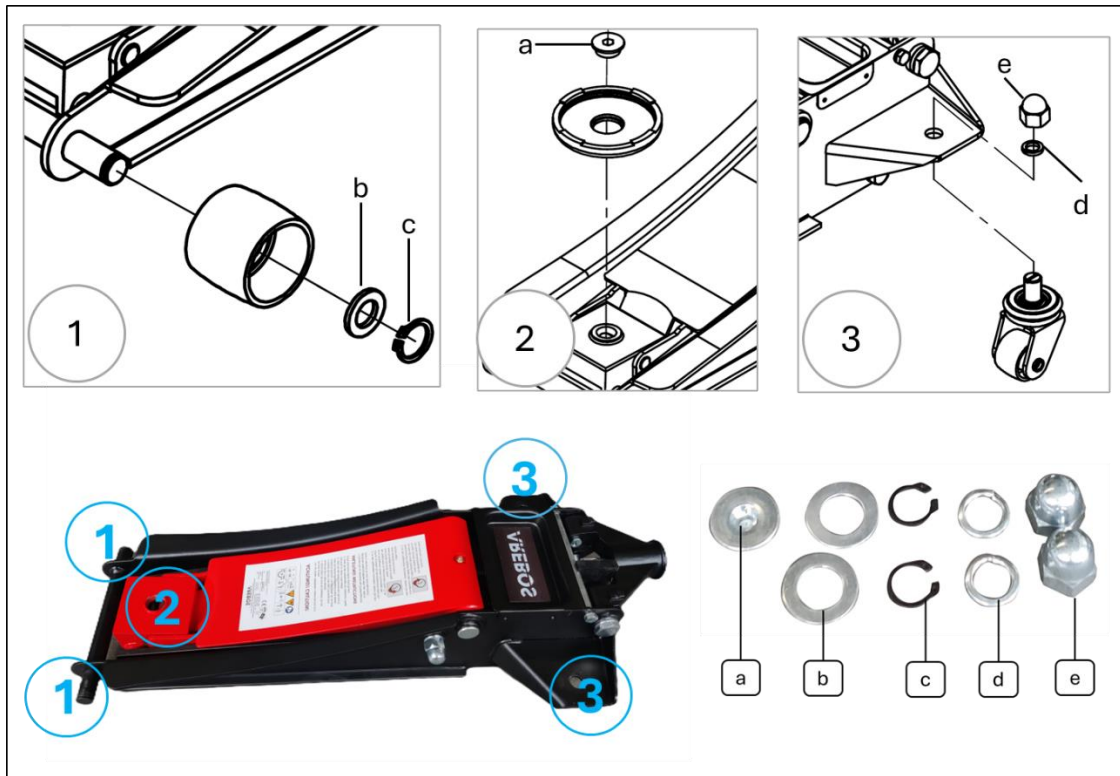
2.2 Control before use

- **Delivery content.** Check if you receive all the parts. The product is packed into 2 boxes.

Box Number	Description
Box 1 of 2 	Trolley jack 1pc
Box 2 of 2 	Handle (Upper part 1x, lower part 1x)
	Saddle 1pc
	Rear wheel 2pcs
	Front Wheel 2pcs
	Rubber pad 2pcs
	Screw bag (saddle bolt 1x, snap ring 2x, washer 2x, cap nut 2x, lock washer 2x)

- The jack must be inspected for any oil leaks and/or loose, damaged or missing parts before each use.
- The owner/user must always ensure that repairs can only be carried out by a suitable specialist or authorized dealer.

2.3 Attaching the saddle, front wheels, rear wheels



Saddle (Fig.2)

- Place the **metal saddle** directly onto the lifting arm at the top of the jack.
- Align the hole and secure it with the provided bolt.

Front Wheels (Fig. 1)

- Place the **front wheels** onto the front axle.
- Add a **washer** on both sides of the wheel.
- Secure it with the **snap ring** on each side

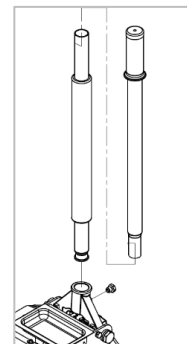
Rear Casters (Fig. 3)

- Attach the caster to the jack's rear mounting hole.
- Add a **lock washer** onto the screw.
- Secure the caster with the **cap nut**.

2.4 Attaching the Handle

Caution! the Handle Socket will be held down by a plastic block under tension. Wear safety goggles before freeing Handle Socket. Hold Handle Socket down while removing block. after removal, carefully swing Handle Socket up until tension is released.

- 1) Assemble handle (G) by sliding the two parts together and rotating until the locking pin clicks into position.
- 2) Partially unscrew knurled knob until assembled handle (G) slides fully into socket (A).
- 3) Tighten the knurled knob (I).



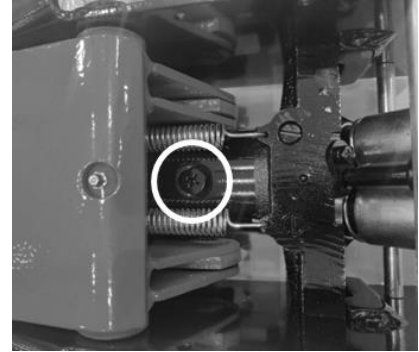
3. Operation

3.1 Bleeding

BEFORE EACH USE OR IF JACK PERFORMANCE DECREASES,

check for excessive air and proper hydraulic fluid level in Jack. If Jack appears not to be working properly, it may be necessary to purge its hydraulic system of excessive air as follows:

- 1) Turn handle counterclockwise to open Release Valve.
- 2) Remove the cover plate by loosening the screws holding on it to access to oil fill screw (see circled).
- 3) Check fluid level and, if necessary, top off according to **chapter 3.2 below**.
- 4) Apply pressure to saddle and quickly pump handle several times.
- 5) Check Oil Fill Hole again and top off with hydraulic oil if necessary
- 6) Refit the Oil Fill screw and Cover Plate. Turn handle clockwise to close Release Valve.
- 7) If the Jack does not appear to be working properly after bleeding, do not use it until repaired by a qualified service technician.



IMPORTANT!

After bleeding the Jack, test the Jack for proper operation prior to its actual use.

3.2 Adding Hydraulic Fluid

- 1) To check the oil level, fully lower the jack.
- 2) Remove the Cover Plate.
- 3) Remove the Oil Fill Screw.
- 4) Add high grade hydraulic fluid (separate purchase) slowly until the fluid reaches 1/4" below the top of the Fill Port.
- 5) Replace the Oil Fill Screw and Cover Plate.

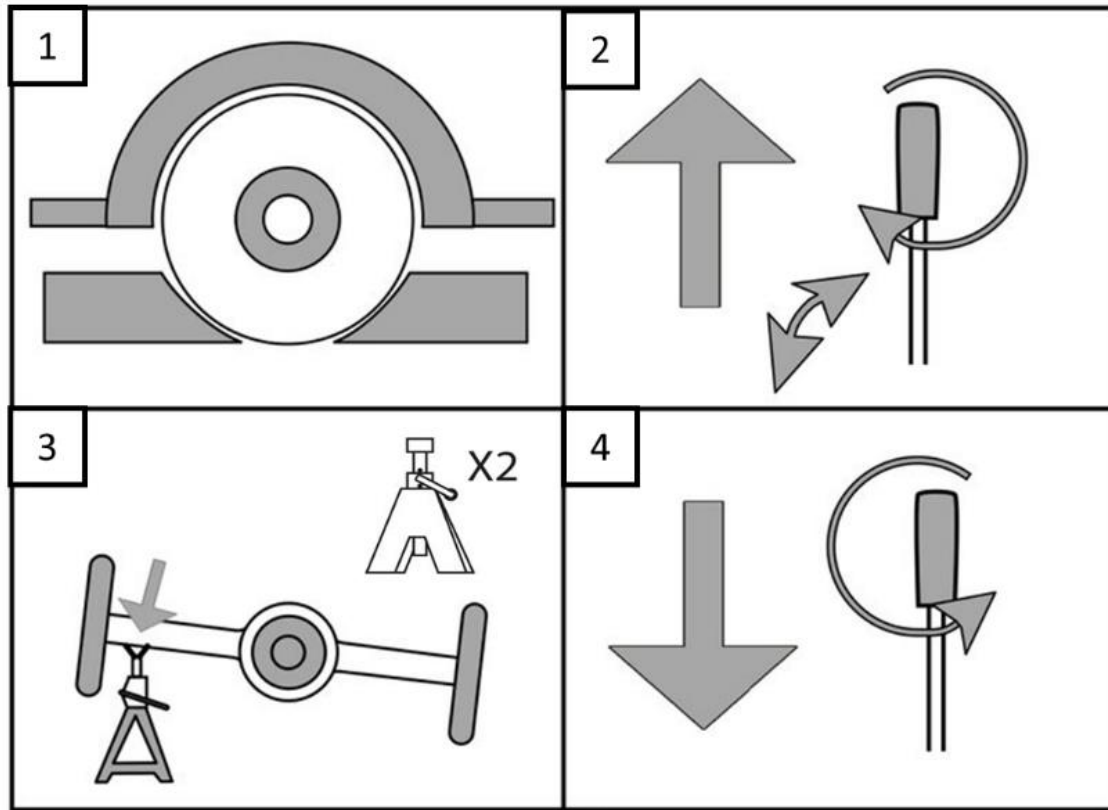
Note

Use hydraulic jack oil only.

Do not touch the Handle when adding hydraulic fluid.

3.3 Lifting and Lowering

3.3.1 Lifting



WARNING! Park vehicle on a flat, level, solid, surface safely away from oncoming traffic. Turn off the vehicle's engine. Place the vehicle's transmission in "PARK" (if automatic) or in its lowest gear (if manual). Set the vehicle's emergency brake. Then chock the wheels that are not being lifted (Fig.1).

- 1) Slowly twist the Handle counterclockwise to lower the Jack. Once the Jack is fully lowered, twist the Handle firmly clockwise.
- 2) Carefully position the jack's saddle under the vehicle manufacturer's recommended lifting point. (See vehicle manufacturer's owner's manual for location of frame lifting point.)
- 3) Pump the Handle until the top of the Saddle (D) has nearly reached the vehicle's lifting point. Position the Saddle directly under the vehicle's lifting point.
- 4) To lift the vehicle, pump the Handle, or use foot-pedal (B). Use smooth, full strokes (Fig.2).
- 5) Once the vehicle is raised, slide a jack stand of appropriate capacity (not included) under a proper lifting point referred to in the vehicle owner's manual. **Always use two jack stands, positioning them at the same point on each side of the vehicle.**

WARNING!

The rated capacity of jack stands is per pair, not the individual capacities combined unless specifically noted on the product by the jack stand manufacturer. Do not exceed rated jack stand capacity. Ensure that the vehicle support points are fully seated in the saddle of both jack stands. Use a matched pair of jack stands per vehicle to support one end only. Failure to do so may result in the load suddenly falling, which may cause serious personal injury and/or property damage.

- 6) Center the vehicle's lifting point(s) on the saddle of the jack stand(s). Set the jack stand(s) to the same height according to the manufacturer's instructions, making sure that they lock securely into position (Fig.3).
- 7) Slowly turn the Handle counterclockwise to lower the vehicle onto the saddle(s) of the jack stand(s). Then, turn the Handle firmly clockwise to close it (Fig.4).

IMPORTANT!

Ensure that the vehicle support points are fully seated in the saddles of both jack stands. Use a matched pair of jack stands per vehicle to support one end only.

3.3.2 Lowering

- 1) Carefully remove all tools, parts, etc. from under the vehicle.
- 2) Position the Jack's Saddle under the lifting point. Turn the Release Knob firmly clockwise and raise vehicle high enough to clear the jack stands (Fig.2).

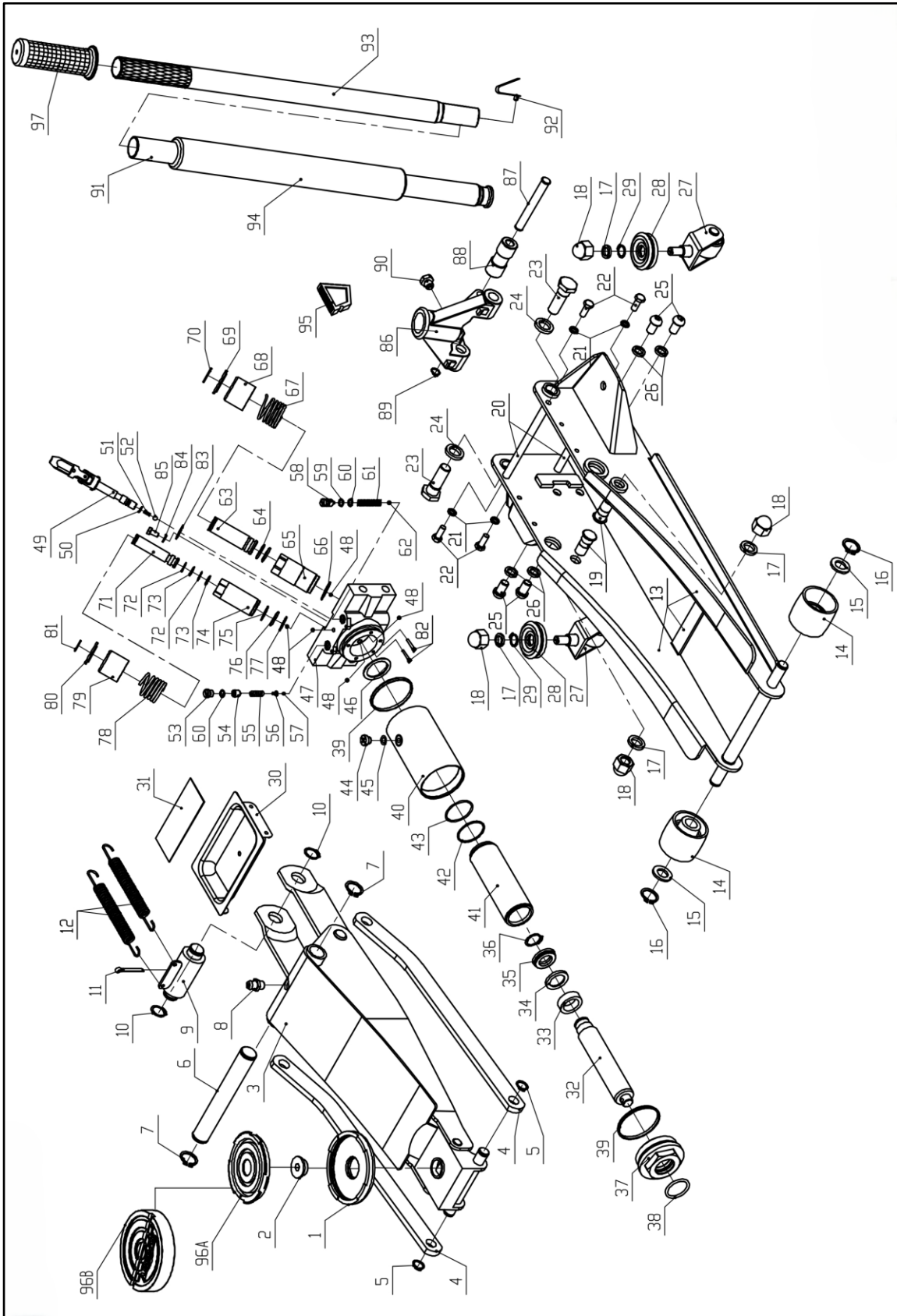
If using axle stands, raise the jack high enough for the stands to be easily removed. Carefully remove the jack stands.

- 3) Slowly turn the Release Knob counterclockwise (never more than 3 full turn) to lower the vehicle onto the ground (Fig.4). Lower carefully, avoid any sudden changes in descent rate which would shock load the hydraulic system.
- 4) Lower the Jack completely. Store the Jack in a safe, dry location out of children's reach.

WARNING!

Ensure there are no people or obstacles beneath the vehicle, or in the path of its descent.

4. Explosion view



Part Number	Description	Part Number	Description	Part Number	Description
1	Saddle	34	Bowl-Type washer	67	Pump core rest spring
2	Saddle bolt	35	Y-type seal	68	Spring sleeve
3	Lifting arm assembly	36	Snap ring	69	Spring stop sheet
4	Rocker Arm	37	Top nut	70	Snap ring
5	Snap ring	38	O-ring	71	Pump piston $\phi 15$
6	Lifting arm shaft	39	Wedge ring	72	Nylon Back-up washer
7	Snap ring	40	Outer Tube	73	O-ring
8	Grease fitting	41	Inner Tube	74	Pump
9	Core tube assembly	42	Cylinder Back-up washer	75	Pump Back-up washer
10	Snap ring	43	O-ring	76	Pump O-ring
11	Cotter Pin	44	Oil seal screw	77	pump Copper Washer
12	Returning spring	45	O-ring	78	Rest Spring I
13	Bracket Weld Assembly	46	Cylinder Washer	79	Spring sleeve
14	Front wheel	47	Base	80	Spring stop sheet
15	Washer	48	Steel ball	81	Snap ring
16	Snap ring	49	Release valve assembly	82	Oil Filter Screen
17	Lock washer	50	O-ring	83	Washer
18	Cap nut	51	Release spring	84	Lock washer
19	Rocker Stud	52	Steel ball	85	Hex Bolt
20	Frame tie rod	53	Guard screw	86	Handle sleeve
21	Lock washer	54	Safety valve screw	87	Handle Pin
22	Hex Bolt	55	Safety valve spring	88	Roller
23	Handle sleeve bolt	56	Valve Seat	89	Snap ring
24	Lock washer	57	Steel ball	90	Bolt
25	Bolt	58	Sequence Valve Screw	91	Handle – I
26	Lock washer	59	Split Back-up washer	92	Handle lock clip
27	Rear Wheel Bracket Assembly	60	O-ring	93	Handle –II
28	Bearing Assembly	61	Sequence Valve Screw	94	Handle foam
29	Snap ring	62	Steel ball	95	Handle lock block
30	Bracket Cover	63	Pump piston $\phi 22$	96A	Saddle pad
31	Magnetic rubber pad	64	O-ring	96B	Saddle pad
32	Ram plunger	65	Pump	97	Handle grip
33	Piston Ring	66	Pump Copper Washer		

5. Cleaning, Maintenance, and Lubrication

WARNING!

To prevent serious injury from tool failure:
Do not use damaged equipment. If abnormal noise or vibration occurs, have the problem corrected before further use.

1) BEFORE EACH USE:

inspect the general condition of the jack. Check for:

- loose or missing hardware
- Misalignment or binding of moving parts
- bent, cracked or broken parts
- any condition that may affect its safe operation.

If a problem occurs, have the problem corrected before further use. **DO NOT USE DAMAGED EQUIPMENT.**

2) BEFORE EACH USE:

thoroughly test the Jack for proper operation prior to its actual use.

If the jack appears not to be working properly, follow Bleeding instructions from chapter 3.1.

3) ONCE A MONTH:

lubricate the **Grease Fitting (I)** with a grease gun.

4) AT LEAST ONCE EVERY THREE YEARS

- change the hydraulic fluid:
- With the Jack fully lowered, remove the Cover Plate and Oil Fill Plug.
- Tip the Jack to allow the old hydraulic fluid to drain out of the Housing completely and dispose of the old hydraulic fluid in accordance with local regulations.
- With the Jack upright, completely fill the Housing with a high-quality hydraulic fluid (not included) until the fluid is 1/4" below the fill hole.
- Open the valve by turning the Handle counterclockwise and pump the Handle to bleed air from the system.
- Recheck fluid level and re-fill as needed.
- Reinstall the Oil Fill Screw.

5) AFTER EACH USE,

wipe dry with a clean cloth. Store the Jack in a safe, dry location out of reach of children and other non-authorized people.

Attention: The life of the product of 5 years should not be exceeded due to signs of wear to ensure safe use of the product. This service life is based on proper and appropriate use.

6. Troubleshooting

WARNING: DO NOT USE A DAMAGED OR MALFUNCTIONING JACK.

PROBLEM	POSSIBLE CAUSE	REMEDY
Jack will not lift the load	<ol style="list-style-type: none"> 1) Overloaded 2) Oil level low 3) Release valve not correctly closed 4) Air in system 5) Piston rod not functioning 	<ol style="list-style-type: none"> 1) Be sure to use jack with adequate capacity 2) Top up oil level 3) Check and close release valve 4) Open release valve and pump the handle a few times. Close valve and re-try 5) Clean and replace oil
Jack does not lift high enough or feels "spongy"	<ol style="list-style-type: none"> 1) Oil level too high or too low 2) Air in system 3) Release valve not closed 	<ol style="list-style-type: none"> 1) Fill or remove excess oil 2) Open release valve and pump the handle a few times. Close valve and re-try 3) Check and close release valve
Jack lifts poorly	<ol style="list-style-type: none"> 1) Pump valve malfunctioning 2) Oil is dirty 3) Air in the system 	<ol style="list-style-type: none"> 1) clean valves 2) Replace oil 3) Open release valve and pump the handle a few times. Close valve and re-try
Jack lifts but will not hold load	<ol style="list-style-type: none"> 1) Release valve partially open 2) Dirt on valve seats 3) Air in system 	<ol style="list-style-type: none"> 1) Check and close release valve 2) Lower jack, close release valve. Place foot on front wheel and pull up lifting arm to its full height by hand. Open the release valve to lower arm 3) Open release valve and pump the handle a few times. Close valve and re-try.
Jack will not lower completely	<ol style="list-style-type: none"> 1) Unit requires lubrication 2) Piston rod bent or damaged 3) Air in system 4) Release valve partially closed 5) Jack spring damaged or unhooked. 	<ol style="list-style-type: none"> 1) Oil all external moving parts 2) Replace rod if broken 3) Open release valve and pump the handle a few times. Close valve and re-try 4) Check and fully open release valve 5) Replace spring if broken
Jack does not lower at all	<ol style="list-style-type: none"> 1) Release valve closed 	<ol style="list-style-type: none"> 1) Check and fully open release valve

7. Specifications

Model	AR-HE- HRW3
Max. Capacity of load	3000 KG
Min. Height of Saddle	75 mm
Max. Height of Saddle	505 mm
Diameter of saddle	110 mm
Front wheel diameter	60 mm
Rear wheel diameter	43 mm
Material	Steel
Length of handlebar	115 cm
Net weight	Ca.33 kg
Delivery Content	1x Trolley jack (with handle / wheels) 2x Rubber pad 1x User Manual

8. Environmentally friendly disposal

Warning Danger of suffocation! Packaging material is dangerous for children. Never let children play with packaging material.

8.1 Disposal and packaging

- The packaging of your unit consists of materials that are necessary to guarantee effective protection during transport. These materials are fully recyclable and therefore reduce the environmental impact. Dispose of the packaging in a bin for recyclable materials.

8.2 Disposal of old equipment

- Old appliances must be disposed of in accordance with the guidelines and regulations of the local waste disposal authority. Check with your local administration for the address of the nearest recycling centre and deliver your appliance there.

Our customer service number: Tel. + 49 931 90 80 3000

E-Mail: info@arebos.de

Office address: Canbolat Vertriebs GmbH • Gneisenaustraße 10-11 • 97074 Würzburg

Return address can be found in the imprint: <https://www.arebos.de/impressum/>

EC Declaration of Conformity

We, the

Canbolat Vertriebs GmbH, Gneisenaustraße 10-11, 97074 Würzburg, Germany

hereby declare that the equipment described below, by virtue of its design and construction and in the versions placed on the market by us, complies with the relevant essential health and safety requirements of the EU directives.

Product name: AREBOS Hydraulic Trolley Jack 3 T

Model number: AR-HE-HRW3

Article number: 4252023127288

Should the appliance be modified without our consent, this declaration of conformity will lose its validity.

Tested according to EU-Norm / Directives:

EN1494:2000+A1

AfPS GS 2019:01 PAK

Machinery Directive: 2006/42/EC

Date/Signature Manufacturer/Place:

Würzburg, February 4, 2025



Signature:

Dipl.-Inform. (Univ.) Korhan Canbolat, Managing Director

Representative of these instructions for use/technical data:

Dipl.-Inform. (Univ.) Korhan Canbolat, Managing Director

Office address:

Canbolat Vertriebs GmbH

Gneisenaustraße 10-11

D-97074 Würzburg

Return address can be found in the imprint: <https://www.arebos.de/impressum/>

VAT identification number: DE 263752326

Court of the Commercial Register is Würzburg, HRB 10082

WEEE Reg.-No. DE 61617071